

LSG200-SERIES

Omnivore® Grinders

Liberty Pumps®

A Family and Employee Owned Company



2 hp

1-1/4" Discharge

Features

- V-Slice® Cutter Technology
- One-piece uni-body casting
- Stainless steel impeller
- Quick-connect power cord
- Internal or external capacitor models available
- 300 Series SS rotor shaft



Patent: See
LibertyPumps.com/en-us/patents



innovate. evolve.

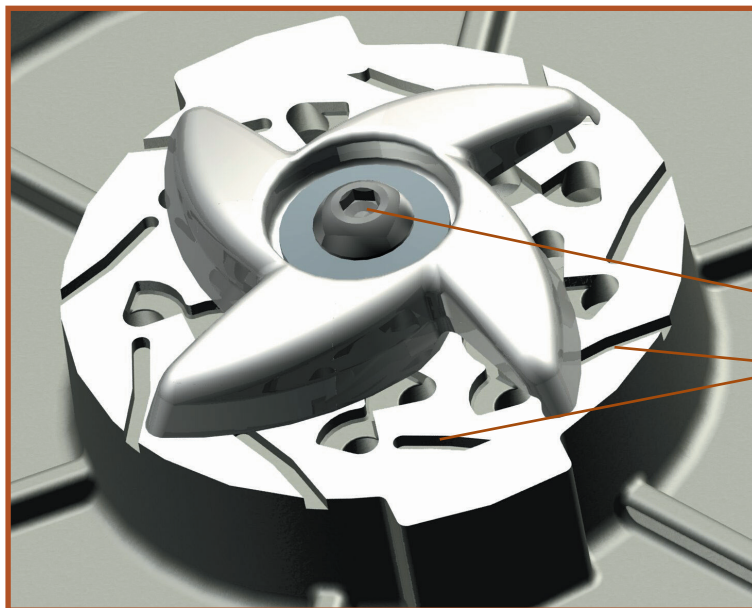
LSG200-Series

Liberty Pumps LSG200-Series Grinder Pumps meet the demanding needs of commercial and residential sewage applications where difficult solids handling ability is crucial. The LSG200-Series features a superior cutting system made of hardened 440 stainless steel – Rockwell C 58, for shearing solids into small particles prior to being passed to the discharge by the impeller under high pressure. Applications include individual or groups of homes, motels, schools, shopping centers, lakefront developments and systems requiring high pressure sewage pumping.



Features

- 2 hp, heavy-duty motor – oil-filled, thermally protected
 - Upper and lower ball bearings
 - One-piece uni-body cast iron housing
 - 300 Series SS rotor shaft
 - 316 Stainless-steel impeller
 - Dual seals – Upper seal is unitized graphite impregnated silicon carbide. Lower seal is Viton™ double-lip. (Lower seal ensures that all debris is kept away from upper seal)
 - Motor windings insulated to Class B (130°C)
 - Advanced V-Slice® Cutter Technology made of hardened 440 stainless steel – Rockwell C 58
 - Horizontal 1-1/4" FNPT discharge
 - Back vanes on impeller and spiraled bottom plate for superior solids clearing
 - Stainless-steel fasteners
 - Clog-free volute design
 - Designed for maximum heat dissipation and cool motor operating temperatures
 - Solid state starting circuit - no mechanical relay coil
 - Quick-connect 25' power cord (standard)
 - Piggyback plug with wide-angle float switch (on automatic model) eliminates need for expensive panel
- Viton is a trademark of The Chemours Company FC, LLC.

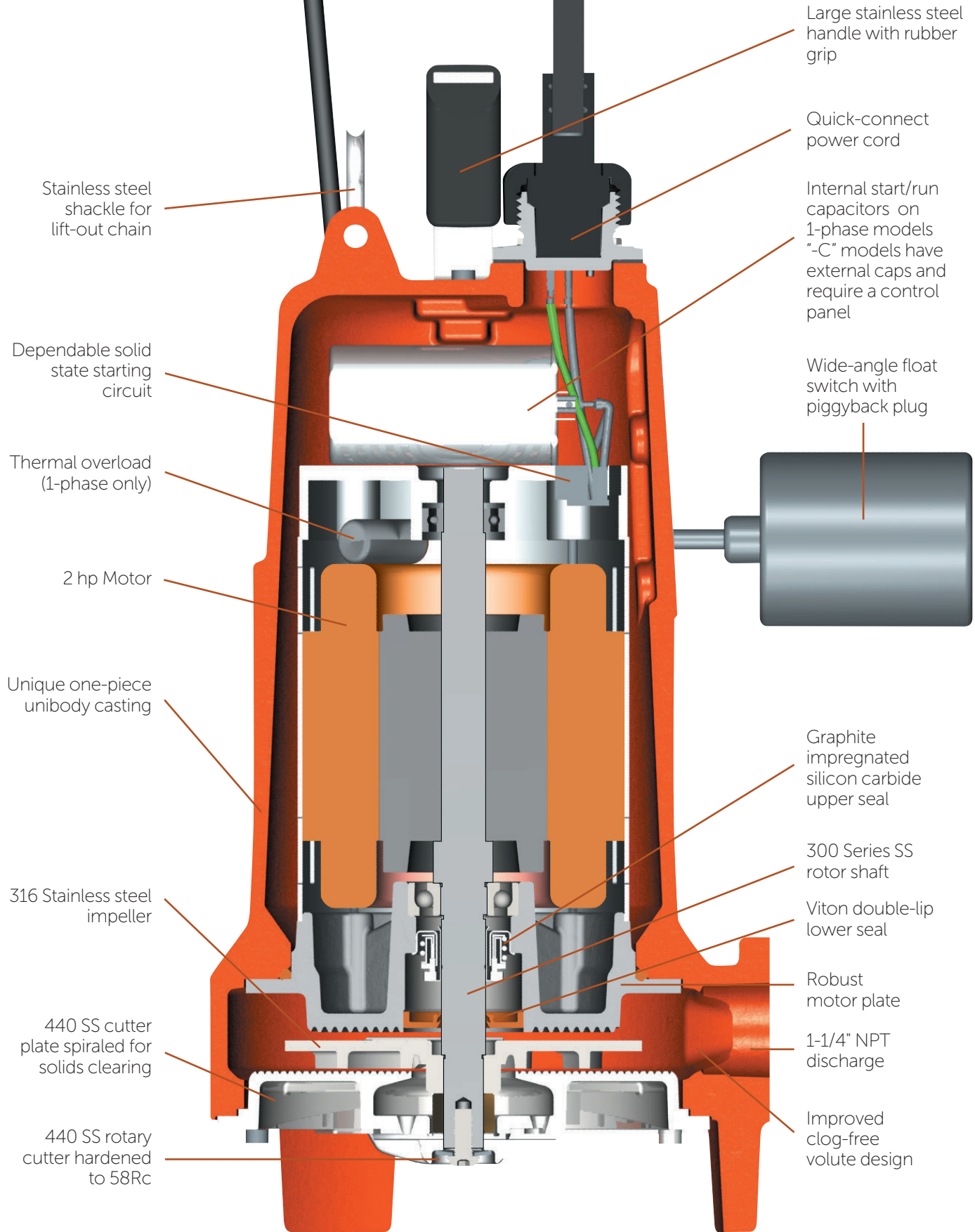


V-Slice® Cutter Technology

Superior cutting system provides improved shredding performance over radial cutters. V-pattern provides up to 108 alternated cuts per revolution. Entire cutting system made of 440 stainless steel hardened to 58Rc.

- Recessed cutter bolt eliminates wadding
- Exclusion cleanout slots and back relief clears debris from under cutter

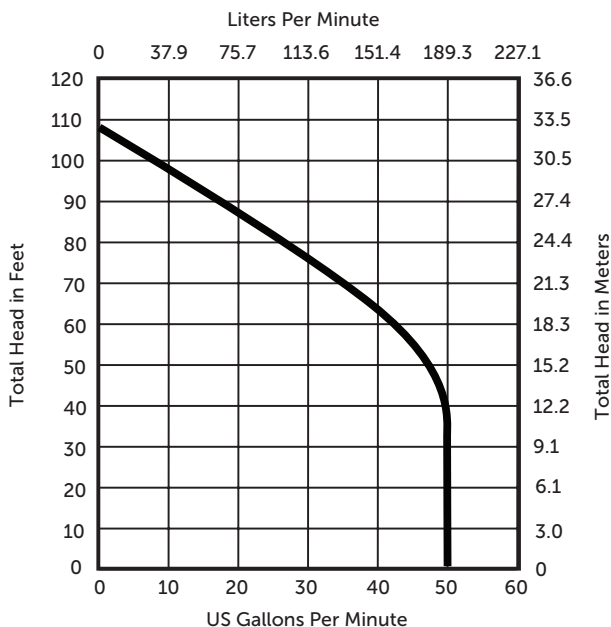
Patent: See
LibertyPumps.com/en-us/patents



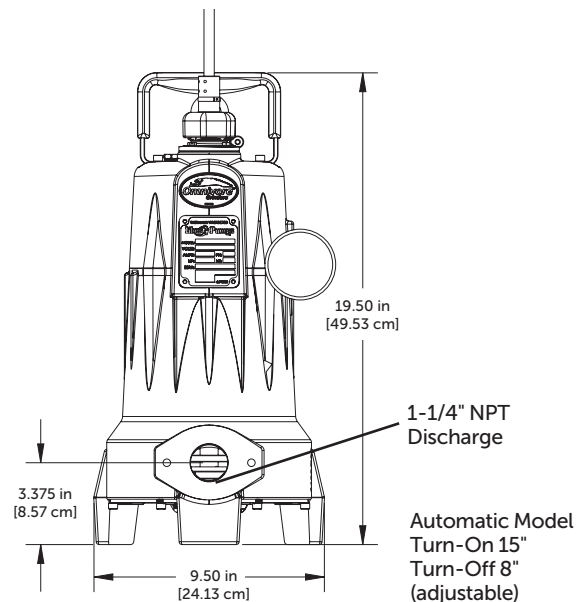
LSG200-Series

Performance Curve

60 Hz, 3450 RPM



Dimensional Data



Models

MODEL	HP	VOLTS	PH	HZ	AMPS	LOCKED ROTOR AMPS	DISCHARGE	FLOAT SWITCH	WEIGHT IN LBS
LSG202A	2	208/230	1	60	15	53	1-1/4"	Yes	86
LSG202A-5-Y	2	208/230	1	60	15	53	1-1/4"	Yes	86
LSG202M	2	208/230	1	60	15	53	1-1/4"	No	84
LSG202M-C	2	208/230	1	60	15	53	1-1/4"	No	91
LSG203M	2	208/230	3	60	10.6	62	1-1/4"	No	84
LSG204M	2	440-480	3	60	5.3	31	1-1/4"	No	84
LSG205M	2	575	3	60	4.9	24	1-1/4"	No	84

1-phase models are thermally protected. 3-phase models require a properly sized control panel. Maximum intermittent fluid temperature 140° F.

*Models with "Y" suffix feature 50' integrated Y-cord with float switch and bare leads.

LSG202M and LSG202A feature internal capacitors and do not require a separate control panel for operation. LSG202M-C features external capacitors, requiring a panel with appropriately sized start and run capacitors.

Options for LSG202M-C: External Cap Grinder

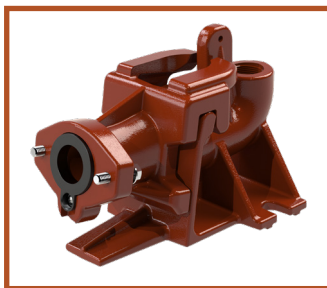
MODEL	DESCRIPTION
K001316	Start/Run Capacitor Kit for retrofit in existing panels
SXHC24=3-3	Simplex NEMA 4X Panel with start/run capacitors
AE24HC=3-3	Duplex NEMA 4X Panel with start/run capacitors

For complete panel specifications, see SX or AE-series literature.

25' cord standard on all models. LSG202M-C features 35' cord standard. Y-cord models have a 50' cord.

GR20 Guide Rail Base

(GR20 option sold separately)



- Cast iron construction
- Single 1-1/4" guide rail pipe design
- Auto alignment feature
- GR20 works only with LSG-Series pumps
- Upper rail support bracket

Specifications subject to change without notice.

Copyright © Liberty Pumps, Inc. 2026 All rights reserved. LLLT003200-R02/26

Liberty Pumps - 7000 Apple Tree Avenue - Bergen, New York 14416
Phone 800-543-2550 - Fax 585-494-1839 - LibertyPumps.com