

PRG-SERIES

Grinder Pump

Liberty Pumps®

A Family and Employee Owned Company

1 hp 2" Discharge

Designed for sewage applications

Higher flow rates allow use with
2" discharge lines

Operates on standard 115V or 230V
20A circuits

Features

- Heavy cast iron construction
- 115V or 230V 1-phase
- V-Slice® Cutter Technology
- Shreds difficult solids such as feminine products, rags, towels, and wipes that can jam a solids handling style pump
- Hardened stainless steel cutter and plate
- Oil-filled, thermally protected motor
- PRG-Series grinders can be used as a replacement pump in 2" discharge systems using LE40 and LE50-Series solids handling pumps.*

**Consult factory with actual application and head specifications prior to replacing LE40 and LE50-Series pumps.*



Vertical Float Switch
Model PRG101AV

ProVore®



Model PRG101A

Patent: See
LibertyPumps.com/en-us/patents



innovate. evolve.

PRG-Series

Impeller

Cast iron, Class 25 vortex style

Paint

Powder coat

Max Fluid Temperature

140°F (60°C) Intermittent
104°F (40°C) Continuous duty

Motor Specifications

1 hp 12A (115V) 6A (230V)
CSCR style, Class B windings
Oil-filled, thermally protected

Power Cord Type

SJTW Quick-connect design
10' Standard length (25' and 50' optional)

Motor Housing

Class 25 cast iron

Shaft

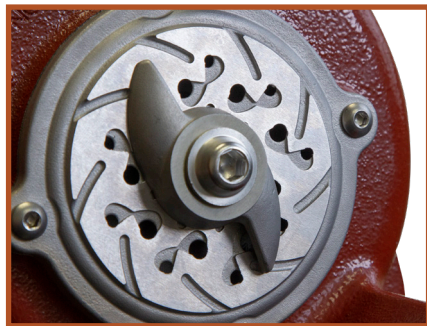
303 Series stainless steel

Volute

Class 25 cast iron

V-Slice® Cutter Technology

Shreds difficult solids such as feminine products, wipes, rags, and other debris.



440 Series stainless steel hardened to Rockwell 57c

Patent: See LibertyPumps.com/en-us/patents

Models

MODEL	HP	VOLTS	PHASE	Hz	AMPS	CORD LENGTH IN FEET	DISCHARGE	AUTOMATIC	WEIGHT IN LBS
PRG101A	1	115	1	60	12	10	2"	Wide-Angle	58
PRG101AV	1	115	1	60	12	10	2"	Vertical Float Switch	58
PRG101M	1	115	1	60	12	10	2"	No	57
PRG102A	1	230	1	60	6	10	2"	Wide-Angle	58
PRG102M	1	230	1	60	6	10	2"	No	57

For optional 25' power cords, add a "-2" suffix to model number. Example: PRG101A-2
For optional 50' power cords (manual models only), add a "-5" suffix to model number. Example: PRG101M-5
Consult factory for 50' automatic power cord options.

Specifications subject to change without notice.

Copyright © Liberty Pumps, Inc. 2026 All rights reserved. LLIT006710-R02/26

Hardware

Stainless steel

Mechanical Shaft Seal

Unitized graphite impregnated silicon carbide

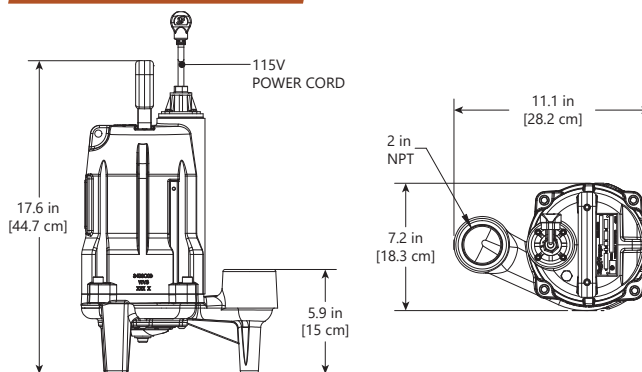
Bearings

Upper and lower ball bearings

Float Switch (automatic models)

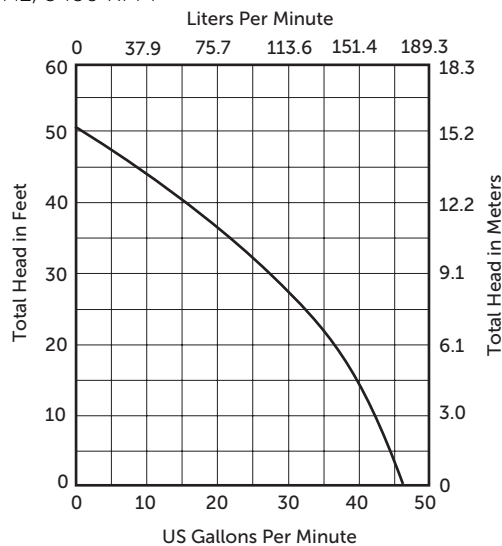
Mechanical wide-angle float switch with series (piggyback) plug

Dimensional Data



Performance Curve

60 Hz, 3450 RPM



Liberty Pumps - 7000 Apple Tree Avenue - Bergen, New York 14416
Phone 800-543-2550 - Fax 585-494-1839 - www.LibertyPumps.com