

OCTOBER 2025

# PRODUCT AND PARTS CATALOG



**KNOW  
HOW  
INSTALLED**

# GEBERIT INSTALLATION SYSTEMS

**Distinctive... Sustainable... Uncompromising**

Geberit Installation Systems keep the unsightly out of sight.

## AESTHETICS

Safely hidden behind the wall, Geberit in-wall technology allows unique beauty from floor to ceiling.

## WATER SAVING

Geberit dual-flush technology provides an effective flush volume of 1.1 GPF, exceeding the 1.28 GPF High Efficiency Toilet (HET) standard.

## SPACE SAVING

Putting the unsightly toilet tank in the wall, where it belongs, gives you more room. The entire bathroom is safer and more accessible.

## EASY TO CLEAN

Because the toilet is off the floor, cleaning the entire area is easy.

## FLEXIBILITY

The adjustable-height carrier allows you to position the toilet 15" to 19" off the floor for meeting ADA requirements or personal preference.

## STRENGTH AND STABILITY

The Geberit installation system supports up to 880 lbs., exceeding ASME A112.6.2 strength requirements.

## ACCESSIBLE MAINTENANCE

The Geberit installation system offers easy access to all internal components, including the fill and flush valves, through decorative actuator flush panels. No tools are needed for simple changeouts.



Geberit 2x6 in-wall system with Sigma70 flush plate and Duravit toilet

## Table of Contents

Geberit North America is part of the Geberit Group, a European market leader and global provider of sanitary technology. Located in Des Plaines, Illinois, Geberit North America provides concealed tank and carrier systems for wall-hung and floor-mounted toilets and fixtures. Geberit systems improve the look of any bathroom by hiding the unsightly toilet tank. Replacing a standard tank and toilet with the Geberit system results in more usable space, improved hygiene and better accessibility. The unique dual-flush valve saves water and is practically maintenance free. Geberit also offers cable-controlled bath waste and overflows in a variety of designer finishes. Critical working parts are outside the waterway, ensuring years of trouble-free operation.

For more information, contact your Geberit sales representative, call **800/566-2100** or go to **[geberitnorthamerica.com](http://geberitnorthamerica.com)**

### Geberit Installation Systems

Getting Started	4-5
-----------------	-----

#### Carriers and Actuators

SIGMA Installation Systems	6-11
OMEGA Installation Systems	12-13
Urinal Installation Systems	14-15
Bidet Installation Systems	16
Lavatory Installation Systems	17
Optional and Required Accessories	18-20

### Geberit Bath Waste and Trap Systems

Finishes, Rough-In, Selecting the Right Size	22-25
TurnControl BWO Systems	26-27
PushControl BWO Systems and Lavatory Traps	28

### Geberit Replacement Parts

#### Installation Systems, Flushing System, Actuators and Cover Plates

Geberit Installation Systems, Duofix Carriers	30-37
Geberit Flushing System, Sigma Concealed Tank	38-39
Sigma, Samba, Twist, Mambo, Rumba and Tango Flush Plate Actuators	40-50
Remote Push Button Actuators and Accessories	51-58
Cover Plates	59-60
Omega Flush Plate Actuators	61
Miscellaneous Legacy Actuators	62-64
Urinal Flush Plate Actuators	65-66

#### Flushing Systems

Filling Valves and Flushing Valves	67
------------------------------------	----

#### Bath Waste and Trap Systems

Replacement Parts, Kits, Turncontrol Handles And Plunger Assemblies	68-69
---	-------

### Limited Warranty

70

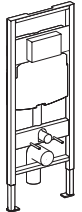
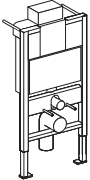


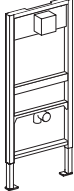
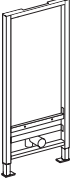
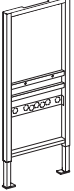
Possession of this Catalog does not constitute an offer to sell Geberit product.

Please refer to **[geberitnorthamerica.com](http://geberitnorthamerica.com)** for our comprehensive terms and conditions.

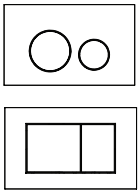
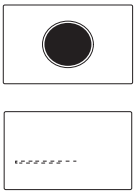
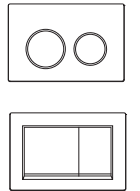
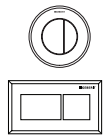
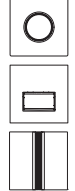


# Getting started with a Geberit in-wall system is as easy as 1-2-3!

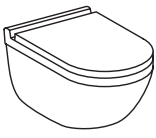
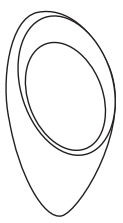

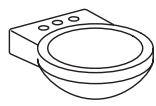
**1. Choose the right in-wall carrier frame** for your construction situation.

Toilets				Urinals	Bidets	Lavatories
Duofix with Sigma Concealed Tank	Duofix with Omega Concealed Tank	Concealed Tank for Floor Mounted, Back Outlet Toilets				
						
In-wall	Pre-wall	In-wall	In-wall	In-wall	In-wall	In-wall
Wall mount Front actuation	Wall mount Top or front actuation	Floor mount Front actuation	Floor mount Front actuation	Floor mount Front actuation	Wall mount	Wall mount
2x4 and 2x6	2x6	2x4	2x6	2x4 and 2x6	2x4 and 2x6	2x4 and 2x6

**2. Choose a stylish flush actuator plate** or remote flush button to match your bathroom décor.

Sigma	Sigma Touchless	Omega	Remote	Urinal
				
Fits Sigma Concealed Tank	Fits Sigma Concealed Tank	Fits Omega Concealed Tank	Pneumatic, electrical, or touchless	Manual or touchless
Round or square	Round or square	Round or square	Round or rectangular	Round or square

**3. Choose a compatible\* fixture** from any major ceramic manufacturer.

			
Toilet Bowls Toilet Bowls with Bidet Seats Bidet Toilets (aka Shower Toilets)	Urinals	Bidets	Washbasins

\* Contact vitreous china manufacturer for complete selection of products. Refer to our website for recommended manufacturers.

# SIGMA INSTALLATION SYSTEMS

Duofix Carrier for Wall-Hung Toilets With Sigma Concealed Tank

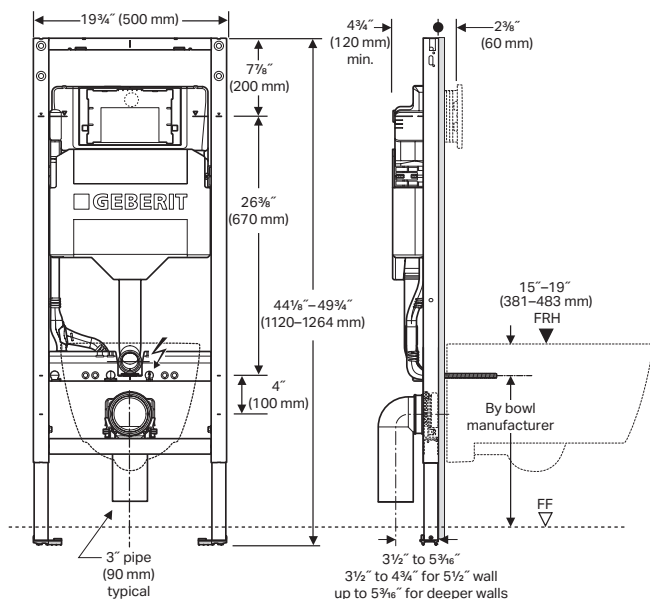


# SIGMA INSTALLATION SYSTEMS

## Duofix Carrier With Sigma Concealed Tank Wall-Hung

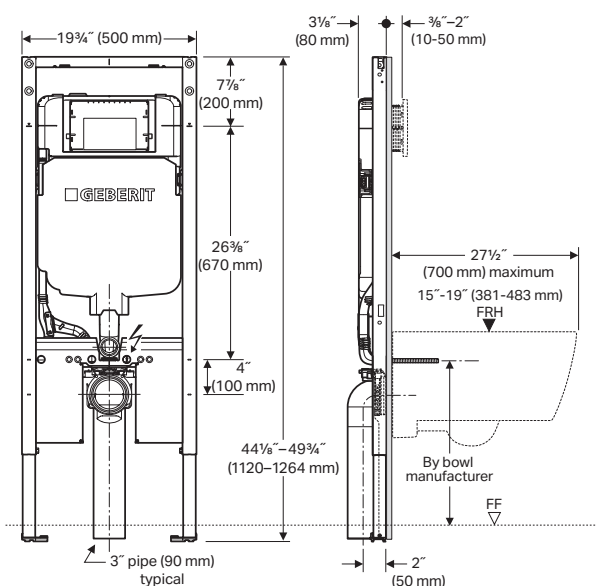
### 2x6 Installation

Model No.	Description
111.335.00.7	Sigma Concealed Tank, 1.60/0.8 GPF
111.902.00.7	Sigma Concealed Tank, 1.28/0.8 GPF



### 2x4 Installation

Model No.	Description
111.798.00.2	Sigma Concealed Tank, 1.60/0.8 GPF
111.597.00.2	Sigma Concealed Tank, 1.28/0.8 GPF



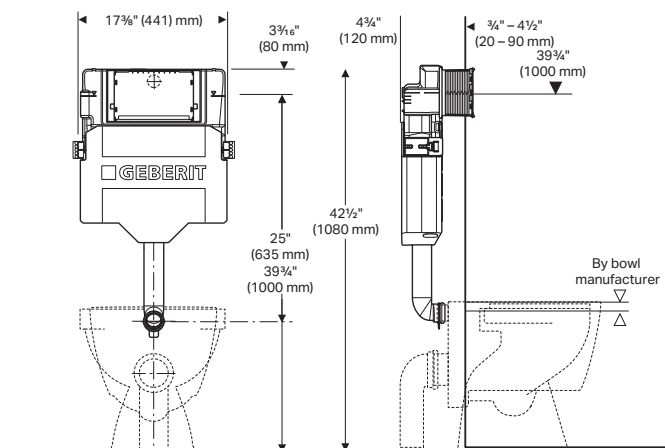
**NOTES:**

1. Concealed tank shipped dual-flush ready
2. Geberit Duofix Carrier for 2-hole washdown style wall-hung toilet fixtures only
3. Refer to [geberitnorthamerica.com](http://geberitnorthamerica.com) for latest list of Code approved Compatible toilet fixtures, including certified WaterSense® combinations

## Concealed Tank For Back-Outlet Toilets Floor-Mounted

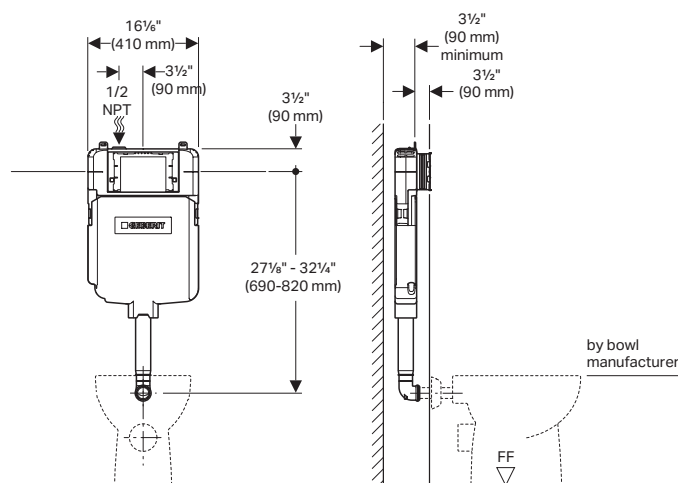
### 2x6 Installation

Model No.	Description
109.304.00.5	Sigma Concealed Tank, 1.60/0.8 GPF
109.307.00.5	Sigma Concealed Tank, 1.28/0.8 GPF



### 2x4 Installation

Model No.	Description
109.781.00.1	Sigma Concealed Tank, 1.28/0.8 GPF



# SIGMA INSTALLATION SYSTEMS

## Dual Flush Actuators for Sigma Concealed Tank

### Dual Flush Actuators

#### Sigma01

2x6 and 2x4 Installation



Material	Frame Finish/Color	Model No.
Plastic	Alpine White	115.770.11.5
	Matte Chrome	115.770.JQ.5
	Brass Galvanized	115.770.DT.5
	Jet Black	115.770.DW.5

#### Sigma20

2x6 and 2x4 Installation

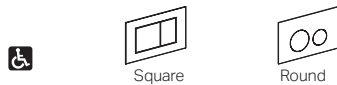


Material	Frame Finish/Color	Model No.	Model No.
Stainless	Brushed Nickel-Polished Nickel-Brushed Nickel*	115.882.ID.1	-
	Brushed Stainless Steel-Polished Stainless Steel-Brushed Stainless Steel*	115.882.SN.1	-
	Brushed Nickel-Polished Nickel-Brushed Nickel* Vandal Resistant	115.889.ID.1	-
	Brushed Stainless Steel-Polished Stainless Steel-Brushed Stainless Steel* Vandal Resistant	115.889.SN.1	-
Plastic	White Matte Coated-White	115.882.01.1	115.883.01.1
	White-Matte White	115.882.11.1	115.883.11.1
	Black Matte Coated-Black	115.882.16.1	115.883.16.1
	Black-Matte Black	115.882.DW.1	115.883.DW.1
	Matte Chrome-Polished Chrome-Matte Chrome*	115.882.JQ.1	115.883.JQ.1
	Matte White-Polished Chrome-Matte White*	115.882.JT.1	115.883.JT.1
	Polished Chrome-Matte Chrome-Polished Chrome*	115.882.KH.1	115.883.KH.1
	White-Polished Chrome-White*	115.882.KJ.1	115.883.KJ.1
	White-Polished Gold-White*	115.882.KK.1	115.883.KK.1

\*Finishes follow this pattern = Plate-Ring-Button  
 Note: For round buttons, the accent is a trim ring; for square buttons, it is on the button edge.

#### Sigma40

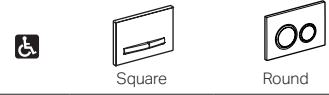
2x6 and 2x4 Installation



Material	Frame Finish/Color	Model No.	Model No.
Stainless	Brushed Stainless	115.629.FW.1	115.628.FW.1
	Matte Black	115.629.14.1	115.628.14.1
	Matte White	115.629.JT.1	115.628.JT.1
	Brushed Red Gold	115.629.QB.1	115.628.QB.1
	Brushed Black Chrome	115.629.QD.1	115.628.QD.1
Glass	Brushed Brass	115.629.QF.1	115.628.QF.1
	White Glass	115.629.SI.1	115.628.SI.1
	Black Glass	115.629.SJ.1	115.628.SJ.1
	Lava Glass	115.629.JK.1	115.628.JK.1
	Grey Sand Glass	115.629.JL.1	115.628.JL.1

#### Sigma50

2x6 and 2x4 Installation



Button	Frame Finish/Color	Model No.	Model No.
PVD Red Gold	Customizable	115.670.00.2	115.650.00.1
	White	115.670.11.2	-
	White Glass	-	115.650.SI.1
	Black	115.670.DW.2	-
	Black Glass	-	115.650.SJ.1
	Mustang Slate	115.670.JM.2	115.650.JM.1
	Concrete Look	115.670.JV.2	115.650.JV.1
	Black Walnut	115.670.JX.2	115.650.JX.1
	Brushed Red Gold	115.670.QB.2	-
	Customizable	115.671.00.2	115.651.00.1
PVD Black Chrome	White	115.671.11.2	-
	White Glass	-	115.651.SI.1
	Black	115.671.DW.2	-
	Black Glass	-	115.651.SJ.1
	Mustang Slate	115.671.JM.2	115.651.JM.1
	Concrete Look	115.671.JV.2	115.651.JV.1
	Black Walnut	115.671.JX.2	115.651.JX.1
	Brushed Black Chrome	115.671.QD.2	-
	Customizable	115.672.00.2	115.652.00.1
	White	115.672.11.2	-
PVD Brass	White Glass	-	115.652.SI.1
	Black	115.672.DW.2	-
	Black Glass	-	115.652.SJ.1
	Mustang Slate	115.672.JM.2	115.652.JM.1
	Concrete Look	115.672.JV.2	115.652.JV.1
	Black Walnut	115.672.JX.2	115.652.JX.1
	Brushed Brass	115.672.QF.2	-
	Concrete Look	115.788.JV.2	115.884.JV.1
	Black Walnut	115.788.JX.2	115.884.JX.1
	Customizable	115.788.00.2	115.884.00.1
Polished Chrome	White	115.788.11.2	-
	White Glass	-	115.884.SI.1
	Bright Chrome	115.788.21.2	-
	Black	115.788.DW.2	-
	Black Glass	-	115.884.SJ.1
	Brushed Chrome	115.788.GH.2	-
	Mustang Slate	115.788.JM.2	115.884.JM.1
	Lava Glass	115.788.JK.2	115.884.JK.1
	Grey Sand Glass	115.788.JL.2	115.884.JL.1
	Smoked Glass	115.788.SD.2	-

#### Sigma70

2x6 and 2x4 Installation



Material	Frame Finish/Color	Model No.
Stainless	Brushed Stainless Steel	115.622.FW.1
	Matte Black	115.622.14.1
	Matte White	115.622.JT.1
	Brushed Red Gold	115.622.QB.1
	Brushed Black Chrome	115.622.QD.1
Glass	Brushed Brass	115.622.QF.1
	Lava Glass	115.622.JK.1
	Grey Sand Glass	115.622.JL.1
	White Glass	115.622.SI.1
	Black Glass	115.622.SJ.1

#### Optional Cover Frame for Sigma70



Frame Finish/Color	Model No.
Polished Chrome	115.623.21.1
Polished Black Chrome	115.623.QC.1






# SIGMA INSTALLATION SYSTEMS

## Remote Flush Actuation for Sigma Concealed Tank

### Dual Flush Buttons






#### For Concealed Applications

2x6 Installation

						
		Type 01, round	Type 01, round	Type 10, round	Rectangle	Rectangle
Material	Frame Finish/Color	Model No.	Model No.	Model No.	Model No.	Model No.
Plastic	Alpine White	116.042.11.1	116.044.11.1	-	-	-
	White, Polished Chrome Accent	-	-	116.055.KJ.1	-	-
	Polished Chrome	116.042.21.1	-	-	-	116.052.21.1
	Matte Chrome, Polished Chrome Accent	-	-	116.055.KH.1	-	-
	Gloss Black, Matte Black Accent	-	-	116.055.DW.1	-	-
	Matte Black, Gloss Black Accent	-	-	116.055.16.1	-	-
Zinc	Brushed Chrome	-	-	-	116.051.GH.1	-


#### For Concealed Applications

2x4 Installation

						
		Type 01, round	Type 01, round	Type 10, round	Rectangle	Rectangle
Material	Frame Finish/Color	Model No.	Model No.	Model No.	Model No.	Model No.
Plastic	Alpine White	116.043.11.1	116.045.11.1	-	-	-
	White, Polished Chrome Accent	-	-	116.056.KJ.1	-	-
	Polished Chrome	116.043.21.1	-	-	-	116.054.21.1
	Matte Chrome, Polished Chrome Accent	-	-	116.056.KH.1	-	-
	Gloss Black, Matte Black Accent	-	-	116.056.DW.1	-	-
	Matte Black, Gloss Black Accent	-	-	116.056.16.1	-	-
Zinc	Brushed Chrome	-	-	-	116.053.GH.1	-

#### For Furniture Applications

2x6 Installation

		
		Type 10, round
Material	Frame Finish/Color	Model No.
Plastic	Alpine White	-
	White, Polished Chrome Accent	116.057.KJ.1
	Polished Chrome	-
	Matte Chrome, Polished Chrome Accent	116.057.KH.1
	Gloss Black, Matte Black Accent	116.057.DW.1
	Matte Black, Gloss Black Accent	116.057.16.1

### Cover Plates For Use With Flush Buttons

#### Standard Profile

2x6 and 2x4 Installation



Material	Frame Finish/Color	Model No.
Glass	White	115.766.SI.1
Stainless	Brushed Stainless Steel, Vandal Resistant	115.764.FW.1
	Customizable	115.766.00.1
	Alpine White	115.768.11.1
Plastic	Polished Chrome	115.768.21.1
	Matte Chrome	115.768.46.1

#### Surface Even

2x6 and 2x4 Installation



Material	Frame Finish/Color	Model No.
Plastic	Customizable mechanism*	115.696.00.1
	White, Matte White Accent**	CR115-6111
Stainless	Matte Black Coated, Black Accent**	CR115-6161
	Brushed Stainless Steel**	CR115-6FW1
Plastic	Customizable mechanism with frame*	115.697.00.1

\*For tile, stone or other hard surfaced walls only

\*\*When ordering one of the stainless steel plates, must be combined with 115.696.00.1

### Flush Button Accessories

#### Extension Hose For Flush Button Located Beyond 6' From Tank



Double pneumatic hose for dual-flush, 78.74"

240.575.00.1

# SIGMA INSTALLATION SYSTEMS

## Single Flush Actuators for Sigma Concealed Tank

### Single Flush Actuators

**Sigma10**

2x6 and 2x4 Installation



Sigma10 Round



Sigma10 Square

Material	Frame Finish/Color	Model No.	Model No.
Stainless	Matte White, Polished Chrome Accent	115.758.JT.5	-
	Matte White Coated, White Accent	115.758.01.5	-
	Matte Black Coated, Black Accent	115.758.16.5	-
	Brushed Stainless Steel, Polished Stainless Steel Accent	115.758.SN.5	-
	Brushed Stainless Steel, Polished Stainless Steel Accent Vandal Resistant	115.787.SN.5	-
	Polished Chrome, Matte Chrome Accent	115.758.KH.5	-
Plastic	White, Polished Chrome Accent	115.758.KJ.5	-
	White, Polished Gold Accent	115.758.KK.5	-
	Matte Chrome, Polished Chrome Accent	115.758.JQ.5	-
Zinc	Matte Black-Polished Chrome-Matte Black*	-	115.893.14.1
	Matte White-Polished Chrome-Matte White*	-	115.893.JT.1
	Polished Gold	-	115.893.45.1
	White-Polished Chrome-White*	-	115.893.KJ.1
	Brushed Chrome-Polished Chrome-Brushed Chrome*	-	115.893.KX.1
	Polished Chrome-Brushed Chrome-Polished Chrome*	-	115.893.KY.1

\* Finishes follow this pattern = Plate-Ring-Button

Note: These single flush actuators are not intended to be sold in California with 1.6 GPF units

# SIGMA INSTALLATION SYSTEMS

## Touchless Actuators and Buttons for Sigma Concealed Tank

### Touchless Actuators

#### Sigma10

2x6 Installation



Material	Power	Frame Finish/Color	Model No.	Model No.
Stainless	AC	Brushed Stainless Steel, Polished Stainless Steel Accent, Vandal Resistant with manual override	115.890.SN.6	-
	AC	Matte Black Coated, Black Accent, Vandal Resistant with manual override	115.890.16.6	-
	AC	Black, Matte Black Accent, Vandal Resistant with manual override	115.890.DW.6	-
	DC	Brushed Stainless Steel, Polished Stainless Steel Accent, Vandal Resistant with manual override	115.891.SN.6	-
	DC	Matte Black Coated, Black Accent, Vandal Resistant with manual override	115.891.16.6	-
	DC	Black, Matte Black Accent, Vandal Resistant with manual override	115.891.DW.6	-
	AC	Brushed Stainless Steel, Polished Stainless Steel Accent	-	115.907.SN.6
	DC	Brushed Stainless Steel, Polished Stainless Steel Accent	-	115.908.SN.6
	AC	Polished Chrome, Matte Chrome Accent	-	115.907.KH.6
DC	Polished Chrome, Matte Chrome Accent	-	115.908.KH.6	
Plastic	AC	White, Polished Chrome Accent	-	115.907.KJ.6
	DC	White, Polished Chrome Accent	-	115.908.KJ.6
	AC	Matte Black Coated, Black Accent	-	115.908.16.6
	DC	Matte Black Coated, Black Accent	-	115.907.16.6
	AC	Black, Matte Black Accent	-	115.907.DW.6
	DC	Black, Matte Black Accent	-	115.908.DW.6
	AC	Matte Chrome Coated, Polished Chrome Accent	-	115.907.JQ.6
	DC	Matte Chrome Coated, Polished Chrome Accent	-	115.908.JQ.6
	AC	White, Polished Gold Accent	-	115.907.KK.6
	DC	White, Polished Gold Accent	-	115.908.KK.6

#### 2x4 Installation

Stainless	AC	Brushed Stainless Steel, Polished Stainless Steel Accent, Vandal Resistant with manual override	115.856.SN.6	-
	AC	Matte Black Coated, Black Accent, Vandal Resistant with manual override	115.856.16.6	-
	AC	Black, Matte Black Accent, Vandal Resistant with manual override	115.856.DW.6	-

#### Sigma80

2x6 Installation



Material	Power	Frame Finish/Color	Model No.
Glass	AC	Black	116.090.SG.6
	AC	Mirror	116.090.SM.6

2x4 Installation

Glass	AC	Black	116.092.SG.6
	AC	Mirror	116.092.SM.6

#### Sanitary Flush Units

2x6 Installation



	Power	Model No.
	AC Mains 12V	116.109.00.6
	DC Battery 3V	116.110.00.6

NOTE: New mains AC versions (12V) must be combined with new model accessory transformer (12V) and will not work with older transformer (3-4.1V). Sigma80 not recommended for bidet seat applications.

### Touchless Remote Flush Actuation

#### Type 10 Button And Lifter

2x6 Installation



Material	Frame Finish/Color	Model No.
Stainless	Brushed Stainless, AC*	115.936.SN.6
	Brushed Stainless, DC	115.937.SN.6
	Matte Black, AC*	115.936.14.6
	Matte Black, DC	115.937.14.6

NOTE: To see our collection of cover plates designed for use with flush buttons, see page 9.

### Touchless Accessories

	Required transformer for AC powered hands-free actuator	115.861.00.6
	Mains 12V (requires transformer 115.861.00.6)	115.862.00.6
	Extension mains cable 12V (optional accessory for Sigma10 and Sigma80). length 71" (1.8m)	244.094.00.1
	Connection cable for external button (optional accessory for Sigma80 only)	242.658.00.1
	Remote programming device for touchless actuators	115.860.00.1
	Connection cable for WC flush control with electronic flush actuation, mains operation (for Type 10 dual flush button)	241.832.00.1
	Lifter for Electrical switch by others (Battery 3V)	115.885.00.6

Compatible with the Geberit Control App. Download for free from the app store.



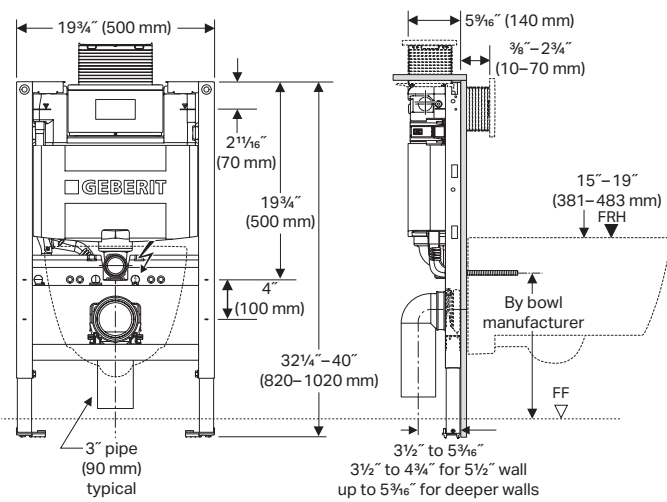
# OMEGA INSTALLATION SYSTEMS

## Duofix Carrier for Pre-Wall Toilets With Omega Concealed Tank

### Carriers for Pre-Wall Toilets

#### 2x6 Installation

Model No.	Description
111.012.00.2	Omega Concealed Tank, 1.60/0.8 GPF
111.018.00.2	Omega Concealed Tank, 1.28/0.8 GPF



### Dual Flush Actuators

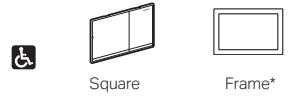
#### Omega20 2x6 Installation



Material	Frame Finish/Color	Model No.	Model No.
Plastic	Polished Chrome, Matte Chrome Accent	115.085.KH.1	115.080.KH.1
	White, Polished Chrome Accent	115.085.KJ.1	115.080.KJ.1
	White, Gold Plated Accent	115.085.KK.1	115.080.KK.1
	Matte White Coated, White Accent	115.085.01.1	115.080.01.1
	White, Matte White Accent	115.085.11.1	115.080.11.1
	Matte Black Coated, Black Accent	115.085.16.1	115.080.16.1
	Black, Matte Black Accent	115.085.DW.1	115.080.DW.1
	Matte Chrome, Polished Chrome Accent	115.085.JQ.1	115.080.JQ.1

Note: For round buttons, the accent is a trim ring; for square buttons, it is on the button edge.

#### Omega60 2x6 Installation



Material	Frame Finish/Color	Model No.	Model No.
Zinc	Brushed Chrome	115.081.GH.1	115.086.GH.1
	Polished Chrome	-	115.086.21.1
Glass	Lava Glass	115.081.JK.1	-
	Grey Sand Glass	115.081.JL.1	-
	White Glass-Aluminum	115.081.SI.1	-
	Black Glass-Aluminum	115.081.SJ.1	-

\* Optional, when needed.






# OMEGA INSTALLATION SYSTEMS

## Duofix Carrier With Omega Concealed Tank

### Dual Flush Buttons


#### For Concealed Applications

2x6 Installation

						
		Type 01, round	Type 01, round	Type 10, round	Rectangle	Rectangle
Material	Frame Finish/Color	Model No.	Model No.	Model No.	Model No.	Model No.
Plastic	Alpine White	116.042.11.1	116.044.11.1	-	-	-
	White, Polished Chrome Accent	-	-	116.055.KJ.1	-	-
	Polished Chrome	116.042.21.1	-	-	-	116.052.21.1
	Matte Chrome, Polished Chrome Accent	-	-	116.055.KH.1	-	-
	Black, Brushed Chrome Buttons	-	-	-	116.051.KV.1	-
	Gloss Black, Matte Black Accent	-	-	116.055.DW.1	-	-
	Matte Black, Gloss Black Accent	-	-	116.055.16.1	-	-
Zinc	Brushed Chrome	-	-	-	116.051.GH.1	-


#### For Furniture Applications

2x6 Installation

		
		Type 10, round
Material	Frame Finish/Color	Model No.
Plastic	Alpine White	-
	White, Polished Chrome Accent	116.057.KJ.1
	Polished Chrome	-
	Matte Chrome, Polished Chrome Accent	116.057.KH.1
	Gloss Black, Matte Black Accent	116.057.DW.1
	Matte Black, Gloss Black Accent	116.057.16.1

### Pneumatic Button Accessories


#### Extension Hose For Flush Button Located Beyond 6' From Carrier

	Double pneumatic hose for dual-flush, 78.74"	240.575.00.1
---	--	--------------

### Touchless Buttons





#### Buttons

2x6 Installation

		
		Type 10 Round
Material	Frame Finish/Color	Model No.
Stainless	Brushed Stainless, AC*	115.956.SN.6
	Matte Black, AC*	115.956.14.6

\*Requires power supply 115.861.00.6

### Touchless Button Accessories

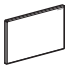
	Transformer for AC powered hands-free actuator	115.861.00.6
	71" extension cable 12V	244.094.00.1
	Connection cable for WC flush control	242.832.00.1
	Lifter for Electrical switch by others*	115.955.00.6

\*Requires power supply 115.861.00.6

### Cover Plates For Use With Flush Buttons

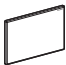
#### Standard Profile

2x6 Installation

		
Material	Frame Finish/Color	Model No.
Glass	White	115.082..SI.1
Plastic	Customizable	115.082.00.1

#### Surface Even

2x6 and 2x4 Installation

		
Material	Frame Finish/Color	Model No.
Plastic	Customizable + rough-in kit	115.087.00.1
	Customizable with frame + rough-in kit	115.088.00.1

Note: For tile, stone or other hard surfaced walls only.



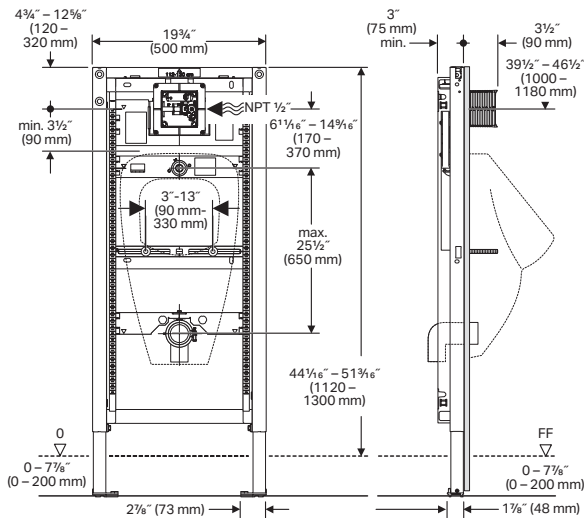
# URINAL INSTALLATION SYSTEMS

Duofix Carrier for Wall-Hung Urinals

## Carriers for Wall-Hung Urinals

2x6 or 2x4 Installation 

Model No.	Description
111.625.00.2	Urinal carrier frame, 0.5 GPF



## Actuators

0.5 GPF (1.9 LPF) flush volume



Type 10 Round



Type 20 Square



Type 50 Square

Material	Frame Finish/Color	Model No.	Model No.
Stainless	Brushed Stainless Steel	116.015.SN.1	-
	Matte Black Coated, Black Accent	116.015.16.1	-
	Black, Matte Black Accent	116.015.DW.1	-
Plastic	Polished Chrome, Matte Chrome Accent	-	116.017.KH.1
	White, Polished Chrome Accent	-	116.017.KJ.1
	Matte Black Coated, Black Accent	-	116.017.16.1
Polished Chrome	Black, Matte Black Accent	-	116.017.DW.1
	Customer supplied inlay	-	116.016.00.5
	Alpine White	-	116.016.11.5
	Black	-	116.016.DW.5
	Brushed Chrome	-	116.016.GH.5
Polished	Lava Glass	-	116.016.JK.5
	Grey Sand Glass	-	116.016.JL.5

# URINAL INSTALLATION SYSTEMS

## Duofix Carrier for Wall-Hung Urinals

### Touchless Actuators

#### Type 10, round

2x6 or 2x4 Installation



0.5 GPF<sup>†</sup>  
(1.9 LPF)



0.125 GPF  
(0.5 LPF)

Material	Frame Finish/Color	Model No.	Model No.
Stainless	Brushed Stainless Steel, Polished Stainless Steel Accent (Battery/DC Power)	116.035.SN.1	241.925.SN.1
	Matte Black Coated, Black Accent (Battery/DC Power)	116.035.16.1	241.925.16.1
	Black, Matte Black Accent (Battery/DC Power)	116.035.DW.1	241.925.DW.1
	Brushed Stainless Steel, Polished Stainless Steel Accent (AC Power, transformer included)	116.025.SN.1	-
	Matte Black Coated, Black Accent (AC Power, transformer included)	116.025.16.1	241.925.16.1
	Black, Matte Black Accent (AC Power, transformer included)	116.025.DW.1	-
Rough-In Sets	Rough-in set for AC (REQUIRED accessory)	116.028.00.1	-
	Rough-in set for Battery/DC Power (REQUIRED accessory)	116.038.00.1	-

<sup>†</sup>NOTE : 0.5 GPF (1.9 LPF) Actuators and Hands-Free Actuators are not intended to be sold in California.

#### Type 50, square

2x6 or 2x4 Installation



0.5 GPF<sup>†</sup>  
(1.9 LPF)



0.125 GPF  
(0.5 LPF)

Material	Frame Finish/Color	Model No.	Model No.
Die-cast zinc	Brushed Chrome (AC Power – CLASS 2 power supply transformer included)	116.026.GH.1*	241.926.GH.1**
	Brushed PVD Red Gold (AC Power – CLASS 2 power supply transformer included)	116.026.QB.1*	241.926.QB.1**
	Brushed PVD Black Chrome (AC Power – CLASS 2 power supply transformer included)	116.026.QD.1*	241.926.QD.1**
	Brushed PVD Brass (AC Power – CLASS 2 power supply transformer included)	116.026.QF.1*	241.926.QF.1**
	Brushed Chrome (Battery/DC Power)	116.036.GH.1	-
	Brushed PVD Red Gold (Battery/DC Power)	116.036.QB.1	-
	Brushed PVD Black Chrome (Battery/DC Power)	116.036.QD.1	-
	Brushed PVD Brass (Battery/DC Power)	116.036.QF.1	-
Rough-In Sets	Rough-in set for AC (REQUIRED accessory)	116.028.00.1	-
	Rough-in set for Battery/DC Power (REQUIRED accessory)	116.038.00.1	-

\*AC Power – CLASS 2 power supply transformer included    \*\* AC/DC power, optional cover frame accessory included

<sup>†</sup>NOTE : 0.5 GPF (1.9 LPF) Actuators and Hands-Free Actuators are not intended to be sold in California.



# BIDET INSTALLATION SYSTEMS

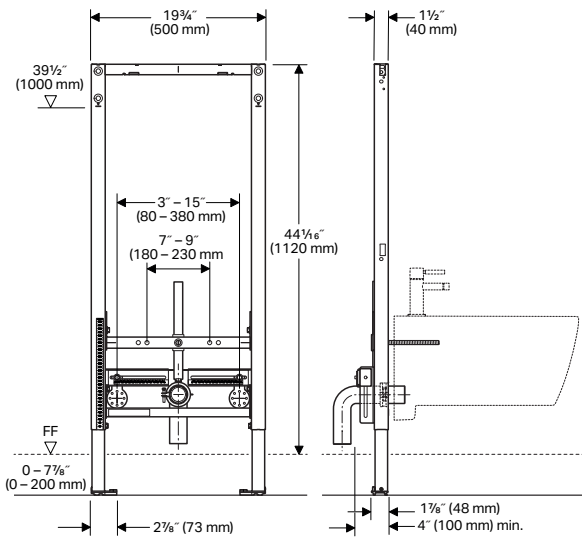
## Duofix Carrier for Bidets

### Carriers for Bidets

2x6 or 2x4 Installation 

Model No.	Description
111.520.00.1 or 111.520.00.2*	Carrier frame, standard height

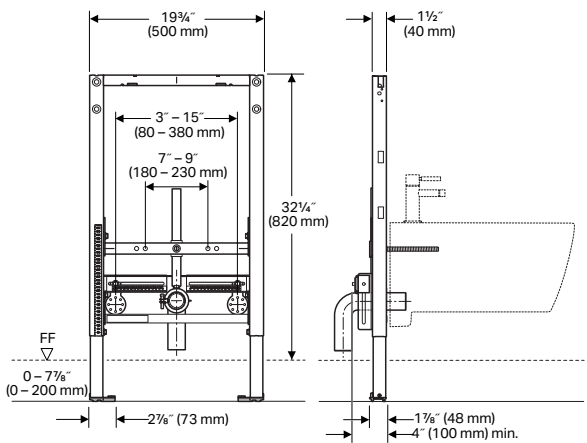
\*Estimated launch in Spring 2026



2x6 or 2x4 Installation 

Model No.	Description
111.524.00.1 or 111.524.00.2*	Carrier frame, short height

\* Estimated launch in Spring 2026



NOTES:

1. Geberit Duofix Carrier for 2-hole wall-hung bidet fixtures only
2. Refer to [geberit.northamerica](http://geberit.northamerica) for latest list of code-approved compatible bidet fixtures

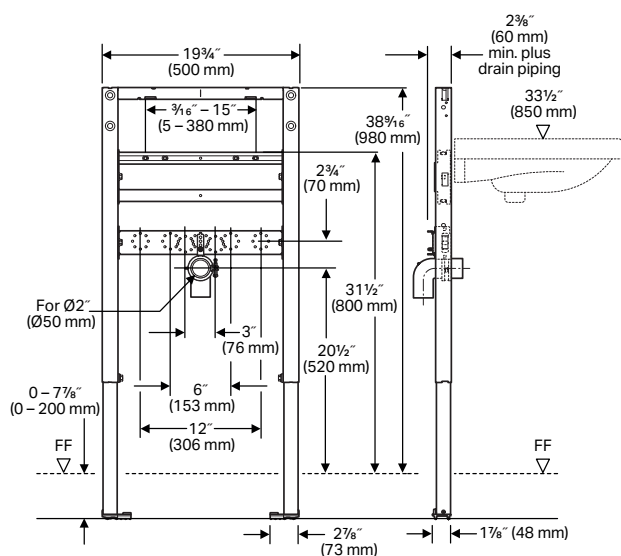
# LAVATORY INSTALLATION SYSTEMS

Duofix Carrier for Lavatories

## 2x4 or 2x6 Installation

Model No.	Description
111.490.00.1 or 111.490.00.2*	Carrier frame, short height

\* Estimated launch in Spring 2026

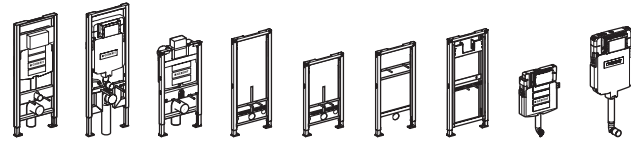


### NOTES:

1. Geberit Duofix Carrier for 2-hole wall-hung lavatory fixtures only
2. Refer to [geberit.northamerica](http://geberit.northamerica) for latest list of code-approved compatible lavatory fixtures

# INSTALLATION SYSTEMS ACCESSORIES

## Optional and Required Accessories for Installation



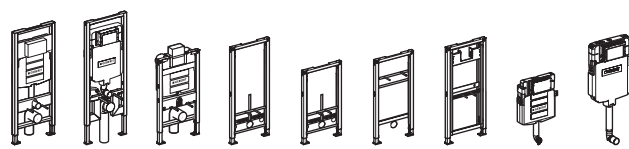
Description	Model Number	111.335	111.798	111.012	111.902	111.597	111.018	111.520	111.524	111.490	111.625	109.304	109.781
		111.902	111.597	111.018								111.520	111.524

### OPTIONAL Connection Sets and Accessories for Finished Walls up to 3.5" (9cm) Thick

	PE syphon trap with horizontal outlet and seal; Ø1.96" (Ø50 mm) outlet	152.950.11.1										✓	
	PE syphon trap with vertical outlet and seal; Ø1.97" (Ø50 mm) outlet	152.951.11.1										✓	
	Acoustic insulation set for wall-hung toilets and bidets	156.050.00.1	✓	✓	✓	✓	✓	✓					
	Cover caps with leveling washer, plastic, Alpine White	217.713.11.1	✓	✓	✓	✓	✓	✓	✓				
	HDPE connection set with 1" (2.5 cm) offset and mounting hardware (bowl installation kit); with socket for Ø3.50" (Ø90 mm) push fit piping and Ø2.16" (Ø55 mm) supply inlet; Matte Chrome cover caps	405.116.00.1	✓	✓	✓							✓	✓

### REQUIRED Connection Sets and Accessories for Finished Walls 3.5" - 7.0" (9-18cm) Thick

	HDPE Connector set for extended installation and mounting hardware (bowl installation kit), with socket for Ø3.50" (Ø90 mm) push fit piping and Ø2.16" (Ø55 mm) supply inlet; Matte Chrome cover caps	152.438.46.1	✓	✓	✓							✓	✓
	Extension set for actuator plates for Sigma Concealed Tanks 2x6 and 2x4, Kappa and Omega Concealed Tanks	240.938.00.1	✓	✓	✓							✓	✓
	Mud guard protection housing for Sigma Concealed Tanks 2x6 and 2x4, plastic, 4 inch (10 cm)	241.826.00.1	✓	✓								✓	✓
	Mud guard protection housing and extension set for urinal carrier	241.930.00.1										✓	
	Mounting rod M12 x 10" long. Not supplied.	M12 x 10"	✓	✓	✓	✓	✓						
	Mounting rod M10 x 10" long. Not supplied.	M10 x 10"								✓			
	Mounting rod M8 x 10" long. Not supplied.	M8 x 10"										✓	



Description	Model Number	111.335	111.798	111.012	111.520	111.524	111.490	111.625	109.304	109.781
		111.902	111.597	111.018					109.307	109.797

**OPTIONAL Installation Accessories for Bidet Seats**

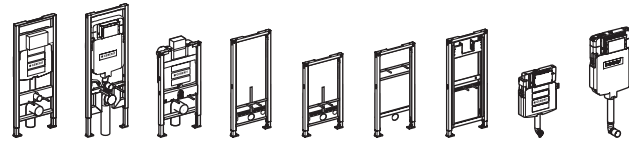
	Water supply hose for bidet seat for Kappa and Omega Concealed Tank pre-wall. For adding bidet seat to an installed carrier. For complete installation, must order with 249.801.00.1.	240.839.00.1			✓					
	Water supply hose for bidet seat for 111.597.00.1 and 111.798.00.1 carrier with Sigma Concealed Tank 2x4. For adding bidet seat to an installed carrier. For complete installation, must order with 249.801.00.1.	243.173.00.1		✓						
	Water supply hose for bidet seat add-on after finished installation of Sigma 2x6 and 2x4, Kappa and Omega Concealed Tanks.	249.801.00.1	✓	✓	✓					

**OPTIONAL Installation Accessories for Geberit Duofix Carrier Frames**

	Frame to wall anchoring for 5.125"-7.875" (13-20 cm) thick unfinished pre-wall	111.013.00.1		✓						
	Frame to wall anchoring for 5.125"-7.875" (13-20 cm) thick unfinished pre-wall	111.815.00.1	✓		✓	✓	✓	✓	✓	
	Frame to wall anchoring for 5.125"-7.875" (13-20 cm) thick unfinished pre-wall corner installations	111.835.00.1	✓	✓	✓	✓	✓	✓	✓	
	Support brackets for wall-hung toilets with small contact surface (thin profiles)	111.847.00.1	✓		✓					
	Fire protection set for Sigma Concealed Tank 90 min. fire resistance to DIN EN 1364-1:1999-10	111.863.00.1	✓							
	Reinforcing member for Geberit Duofix element for lavatory to increase load rating to 660 lbs (300 kg)	111.040.00.1					✓			
	Frame to wall anchoring where foot installations into floor are not allowed for 5.125"-9.50" (13-24 cm)	111.064.00.1	✓	✓	✓	✓	✓	✓	✓	
	Fastening set for sinks with 14.9"-22.8" (38-58 cm) mounting centers	111.868.00.1						✓		
	Frame to stud fastening set for extended stud spacing from 19.75"-25.56" (50-65 cm)	111.869.00.1	✓	✓	✓	✓	✓	✓	✓	
	Frame to wall anchoring extensions for 7.875"-15.75" (20-40 cm) thick (unfinished pre-wall)	111.887.00.1	✓	✓	✓	✓	✓	✓	✓	
	Crossbar for inlet 1/2" thread	242.042.00.1							✓	
	Retrofit adapter for inlet, 1/2" thread	242.309.00.1							✓	
	Elbow supply fitting set, Gun Metal	465.034.00.2				✓	✓	✓		

# INSTALLATION SYSTEMS ACCESSORIES

## Optional and Required Accessories for Installation



Description	Model Number	111.335	111.798	111.012	111.520	111.524	111.490	111.625	109.304	109.781
		111.902	111.597	111.018					109.307	109.797

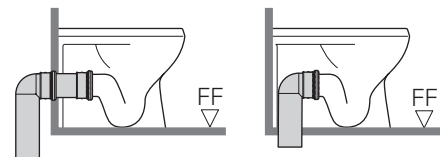
### OPTIONAL Installation Waste Fitting Accessories

	PP connector set with bend for floor-mount toilets with mounting hardware, 1 x 90° bends with socket for Ø4.375" (Ø110 mm) push fit piping for Ø3.82"-4.21" (Ø97-107 mm) male connection and expansion to Ø4.375" (Ø110 mm) outlet	152.647.00.1							✓ (For A or B discharge. See below)	✓
	HDPE waste fitting outlet bend, 1 x 90° bend with socket for Ø3.50" (Ø90 mm) push fit piping and Ø3.50" (Ø90 mm) outlet	366.061.16.1							✓ (For A discharge. See below)	✓
	HDPE straight connector with socket for Ø3.50" (Ø90 mm) push fit piping and Ø3.50" (Ø90 mm) outlet x 12" (31 cm) long	366.887.16.1	✓	✓	✓				✓ (For A discharge. See below)	✓
	HDPE connector with offset for LH horizontal drain connections (as viewed from sitting position), 1 x 90° bend with socket for Ø3.50" (Ø90 mm) push fit piping, with 45° offset and Ø3.50" (Ø90 mm) outlet for 5.5" (13.97 cm) minimum walls only.	366.913.16.1	✓	✓	✓				✓ (For A discharge. See below)	✓
	HDPE connector with offset for RH horizontal drain connections (as viewed from sitting position), 1 x 90° bend with socket for Ø3.50" (Ø90 mm) push fit piping, with 45° offset and Ø3.50" (Ø90 mm) outlet for 5.5" (13.97 cm) minimum walls only.	366.914.16.1	✓	✓	✓				✓ (For A discharge. See below)	✓
	Cast iron fitting; 90° 3.5" (90 mm) inlet, 3" outlet, 2" NPTF heel outlet	367.072.18.1	✓	✓	✓				✓ (For A discharge. See below)	✓
	HDPE "Back-to-back" connector for horizontal drain connections; 2 x 90° bends with sockets for Ø3.50" (Ø90 mm) push fit piping, with 45° offset and expansion to Ø4.375" (Ø110 mm) outlet for 10.75" (27.31 cm) minimum walls only.	367.485.16.1	✓	✓	✓				✓ (For A or B discharge. See below)	✓
	HDPE "Back-to-back" connector for vertical drain connections; 2 x 90° bends with sockets for Ø3.50" (Ø90 mm) push fit piping and expansion to Ø4.375" (Ø110 mm) outlet for 10.75" (27.31 cm) minimum walls only.	367.923.16.1	✓	✓	✓				✓ (For A or B discharge. See below)	✓

Note: Any of these fittings in combination with Geberit installation systems are cUPC and IPC listed.

### Waste Fitting Discharge Configurations for Floor Mount Back Outlet Toilets

Note: Mounting collar/clamp by installer



**A. Floor-Mount Rear Discharge into Wall**

**B. Floor-Mount Rear Discharge into Floor**

# GEBERIT

## BATH WASTE AND TRAP SYSTEMS



# BATH WASTE AND TRAP SYSTEMS

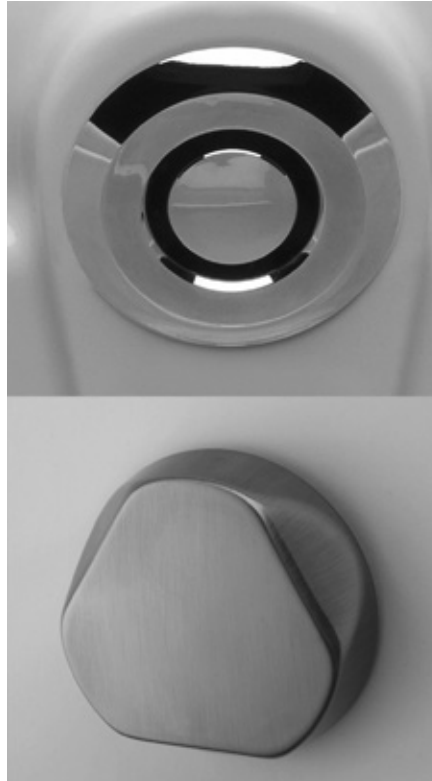
## Trim Finishes and Rough-In Unit Materials

### IT'S GEBERIT

#### IT'S CABLE-OPERATED

Unlike other styles of bath drains, the Geberit Bath Waste and Trap critical working parts are outside the waterway to prevent clogging. The high quality cable is crafted from Teflon® coated stainless steel and has a plastic sleeve to deliver years of trouble-free service.

### STYLES TO MEET YOUR NEEDS



#### **PushControl BWO**

The Geberit PushControl BWO offers a thin, elegant look.

#### **Traditional TurnControl BWO**

The Geberit "original" was first-to-market over 25 years ago.

# BATH WASTE AND TRAP SYSTEMS

## Trim Finishes and Rough-In Unit Materials

### SELECTING A TRIM FINISH

The distinctive contoured handles are offered in a wide variety of finishes to match almost any décor. ForeverShine™ finishes have been developed to ensure that the quality and look of the product on which it is applied will last a lifetime. Clean up is simple and requires no abrasive cleansers or chemicals so maintaining the original factory finish is easy.

We are so confident of this finish process that we provide a limited lifetime warranty on ForeverShine™ products installed in residential applications.

Finish	Metal	Plastic
Alpine White (11)		■
Polished Chrome (21)	■	■
Bone (AA)		■
White (DY)		■
Biscuit (FF)		■
Hard Coat Oil Rubbed Bronze (HM)	■	
ForeverShine™ PVD Polished Nickel (IB)	■	
ForeverShine™ PVD Brushed Nickel (ID)	■	

### MATERIAL SELECTION

#### Tubular Plastic

Plastic (polypropylene) is used chiefly for molded parts, electrical insulation, packaging.

#### Tubular Brass

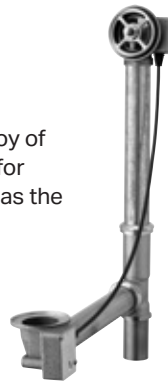
Brass is a yellowish alloy of copper and zinc used for enhancing items such as the Geberit BWO.

#### ABS

ABS (Acrylonitrile, Butadiene, Styrene) is a plastic that's hard and durable through a broad range of temperatures.

#### PVC

PVC, polyvinyl chloride, a widely used thermoplastic polymer, is tough, dent-resistant and maintains properties over long periods of time.



### SELECTING A REMOTE

The Geberit Remote BWO Cable Drain features the same quality and performance as our full line of bath waste and overflow products, but with remote access possibilities. Its unique two-headed design gives you the flexibility of handle placement for ADA applications.



### JOINTS

Slip joints are used when the drain will be accessible for maintenance. Glued joints are used for non-accessible drains. Geberit supplies tubing for slip connections with BWOs, but does NOT supply ABS/PVC piping for glued connections.

# BATH WASTE AND TRAP SYSTEMS

## Selecting the Right Size Bath Waste and Overflow

### FOR CONVENIENCE, USE THIS PAGE WHEN SIZING YOUR CABLE LENGTH.

Sizing a Geberit cable drain is simple. Start with acquiring the **Tub Depth** (see **FIGURE 1**), which serves as a rough guide for your final selection. While the actual definition of “tub depth” varies by manufacturer and model, the measurement is used to get a rough idea of the cable length you will need. Use the **Standard Rough-In Unit Cable Lengths** chart (below, right) to determine cable length based on your tub depth.

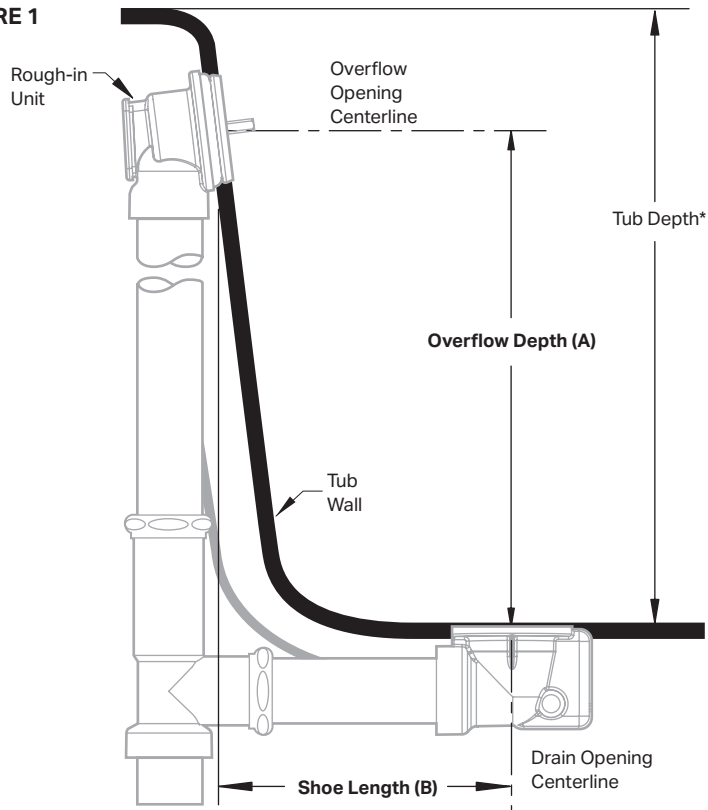
To assure your rough calculations are correct and your BWO will function properly, however, please follow these steps (refer to **FIGURE 1**).

1. Determine the **Overflow Depth (A)** which is the distance from the overflow center to drain mounting surface.
2. Determine the **Drain Shoe Length (B)** which is the distance from the drain centerline to the overflow mounting surface.
3. Choose **material** and joint **connection type**. Because material selection and joint preparations selection are covered by local codes, be sure a professional contractor is involved. Geberit offers a complete spectrum of BWO materials to assure code compliance (see page 33). The materials offered are Tubular Polypropylene, Tubular Brass, ABS and PVC.
4. To determine the **final size** of your BWO for **Tubular Slip-Joint** Plastic/Brass cable drain, use **FIGURE 2** on page 35. To determine the final size of your BWO for **glued** ABS/PVC cable drain, use **FIGURE 3** on page 35.

5. Your information can now be used to find the part number on each type of Geberit BWO.

Once you have determined the size and part number, you can also give this information to your sales outlet so they can verify you have the right Geberit model for your needs.

**FIGURE 1**



### Standard Rough-In Unit Cable Lengths

Key	Typical Tub Depth*	Cable Length
■	12"-16" (301-402)	17" (432)
■	17"-24" (427-602)	27" (678)
■	17"-24" (427-602)	33" (828)
■	25"-29" (628-728)	43" (1,079)

\* Varies by manufacturer and model number. Non-standard sizes, please refer to [geberitnorthamerica.com](http://geberitnorthamerica.com)

# BATH WASTE AND TRAP SYSTEMS

## Selecting the Right Size Bath Waste and Overflow

**FIGURE 2**

### Standard Tubular Slip Joint Rough-In Unit Cable Length Configuration Guide

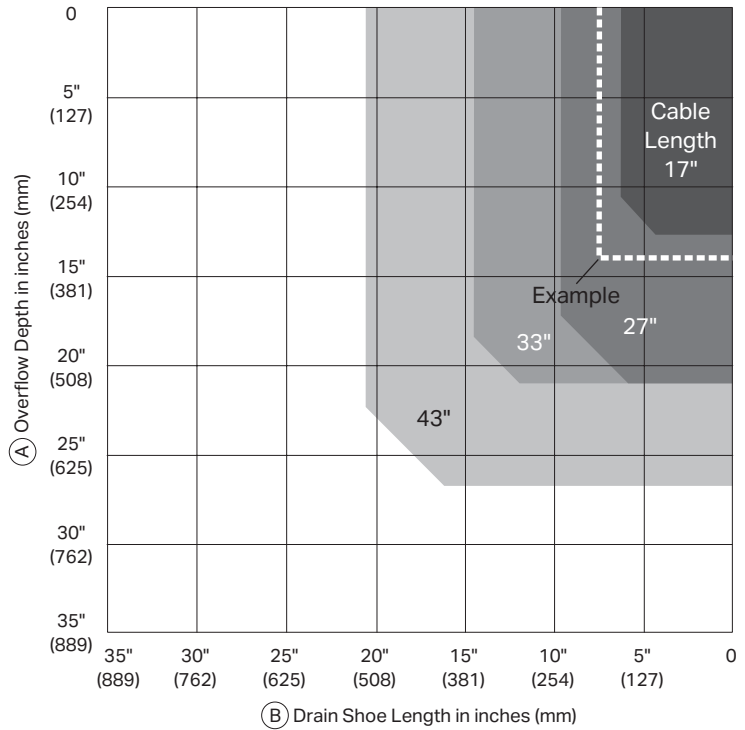
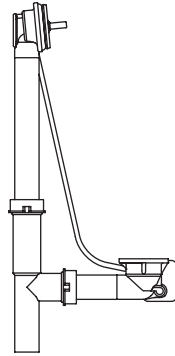
Use this chart to figure cable needed for Plastic/Brass standard Tubular installations.

**Example:**

- Ⓐ Overflow Depth = 14"
  - Ⓑ Drain Shoe Length = 7.5"
- Requires a Rough-In Unit with a cable length of 27".

Custom installations can be achieved using standard Tubular Rough-In Units provided cable length is within acceptable range illustrated by shaded areas in guide.

Geberit recommends you review any custom installations with your sales outlet to assure you have the right model for your needs.



**FIGURE 3**

### ABS/PVC Glued Rough-In Unit Cable Length Configuration Guide\*

Use this chart to figure cable length needed for ABS/PVC glued custom installations.

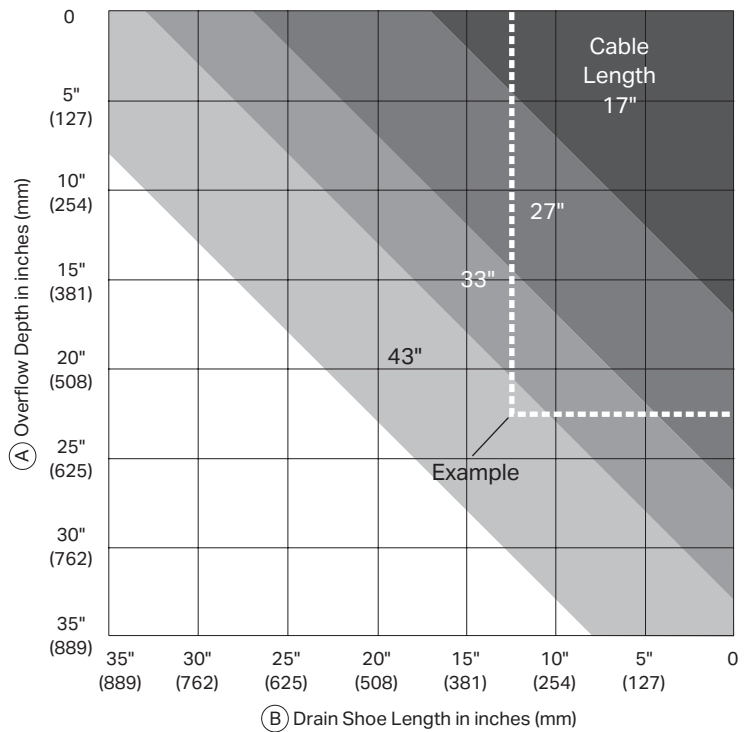
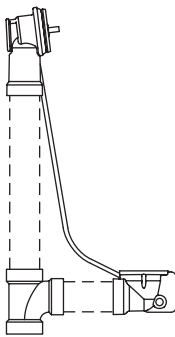
Shaded areas indicate acceptable range of measurements for each cable length.

**Example:**

- Ⓐ Overflow Depth = 22.5"
  - Ⓑ Drain Shoe Length = 12.5"
- Requires a Rough-In Unit with a cable length of 43".

Geberit recommends you review any custom installations with your sales outlet to assure you have the right model for your needs.

\* ABS/PVC pipes not supplied



# BATH WASTE AND TRAP SYSTEMS

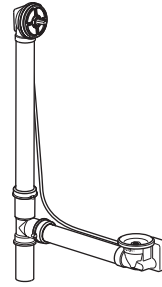
## TurnControl BWO Systems

### TurnControl Rough-In Unit

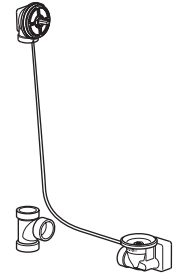
Does not include Trim Kit (see page 37) (Fits Tub Wall Thickness 1/16"–5/16") (Figs. A & B)



Description	Model No.	Tub Depth*	Cable Length	Overflow Depth	Drain Shoe Length
Tubular Plastic Rough-In (Fig. A) 1½" Tubular plastic slip joint with PVC Tee connection	151.501.00.1	12"–16"	17"		Use FIGURE 2 on page 35
	151.504.00.1	17"–24"	27"		
	151.508.00.1	17"–24"	33"		
	151.512.00.1	25"–29"	43"		
Tubular Brass Rough-In (Fig. A) 1½" Tubular Brass slip joint with Brass Tee connection	151.450.00.1	17"–24"	27"		
ABS Rough-In (Fig. B) 1½" ABS Sch 40 for glued joint (Pipes not supplied)	151.502.00.1	12"–16"	17"		Use FIGURE 3 on page 35
	151.505.00.1	17"–24"	27"		
	151.510.00.1	17"–24"	33"		
	151.513.00.1	25"–29"	43"		
PVC Rough-In (Fig. B) 1½" PVC Sch 40 for glued joint. (Pipes not supplied)	151.503.00.1	12"–16"	17"		Use FIGURE 3 on page 35
	151.506.00.1	17"–24"	27"		
	151.511.00.1	17"–24"	33"		
	151.514.00.1	25"–29"	43"		



**Fig. A**  
Tubular Rough-In Unit



**Fig. B**  
ABS/PVC Rough-In Unit

### TurnControl Rough-In Unit (Non-Standard)

Does not include Trim Kit (see page 37) (Fits Tub Wall Thickness 1/16"–5/16") (Fig. A)



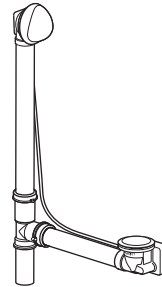
Description	Model No.	Tub Depth*	Cable Length	Overflow Depth	Drain Shoe Depth
Tubular Plastic Rough-In (Fig. A)	150.183.00.1	17"–24"	33"	30.50"	20.50"
(Non-Standard)	150.184.00.1	25"–29"	43"	30.50"	30.00"

Fully detailed information can be found at [geberitnorthamerica.com](http://geberitnorthamerica.com)

### TurnControl Complete Unit

Includes Trim Kit and Tubular Plastic Rough-In Unit (Fits Tub Wall Thickness 1/16"–5/16") (Figs. E)

Material	Finish	Tub Depth*	Cable Length	Overflow Depth	Drain Shoe Length	Traditional Model No. (Fig. C)
Metal	ForeverShine™ PVD Brushed Nickel	17"–24"	27"			150.176.ID.1
	Polished Chrome	17"–22"	27"			150.176.21.1
	Hard Coat Oil Rubbed Bronze	17"–22"	27"			150.176.HM.1
	ForeverShine™ PVD Polished Nickel	17"–22"	27"			150.176.IB.1
Plastic	Polished Chrome	17"–24"	27"			150.156.21.1
	White	17"–24"	27"			150.156.DY.1
	Biscuit	17"–24"	27"			150.156.FF.1



**Fig. C**  
Traditional TurnControl Tubular Rough-In Complete Unit


\* Tub Depth is only a rough calculation. To ensure proper cable length, refer to information on pages 34 and 35.



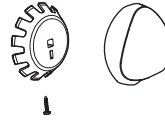
# BATH WASTE AND TRAP SYSTEMS

## TurnControl BWO Systems

### TurnControl Trim Kit – Includes Handle and Plunger

		Model No.
		
Material	Finish	Traditional
Metal	Polished Chrome	151.551.21.1
	Hard Coat Oil Rubbed Bronze	151.551.HM.1
	ForeverShine™ PVD Polished Nickel	151.551.IB.1
	ForeverShine™ PVD Brushed Nickel	151.551.ID.1
Plastic	Alpine White	151.550.11.1
	Matte Black Coated	151.550.16.1
	Polished Chrome	151.550.21.1
	Bone	151.550.AA.1
	White	151.550.DY.1
	Biscuit	151.550.FF.1

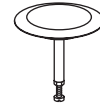
Traditional Plastic Handle



Traditional Metal Handle




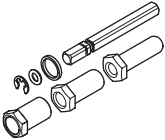
Plunger



### TurnControl, Remote Control Trim Kit

**Note:** if ordering a TurnControl Remote Control Rough-in Unit (page 36), you must order two TurnControl Trim Kits in the desired finish to complete the installation.

### TurnControl Accessories

	Description	Model No.
	ADA Handle Extension, Polished Chrome. For Metal Handles Only	241.789.21.1
	Extended Tub Wall Thickness Kit 3/8"–1/2", Tubular Plastic/Brass Rough-In	241.769.00.1
	Extended Tub Wall Thickness Kit 3/8"–1/2", ABS/PVC Rough-In	241.771.00.1
	Extended Tub Wall Thickness Kit 3/8"–1/2", Tub Filler	241.772.00.1
	Extended Tub Wall Thickness Kit 9/16"–3/4", Tubular/Brass Rough-In	241.773.00.1
	Extended Tub Wall Thickness Kit 9/16"–3/4", ABS/PVC Rough-In	241.774.00.1
	Extended Tub Wall Thickness Kit 9/16"–3/4", Tub Filler	241.775.00.1

# BATH WASTE AND TRAP SYSTEMS

## PushControl BWO Systems

### PushControl Complete Unit

Includes Trim Kit, Tubular Plastic Rough-In Unit and Installation Tools (Fits Tub Wall Thickness 1/16"-1/2")

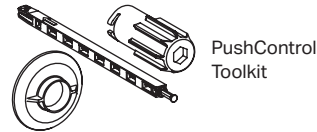


Material	Finish	Model No.	Tub Depth*	Cable Length	Overflow Depth	Drain Shoe Length
Metal	Polished Chrome	151.603.21.1	17"-24"	27"	Use FIGURE 2 on page 35	
	ForeverShine™	151.603.ID.1	17"-24"	27"		
Plastic	Polished Chrome	151.602.21.1	17"-24"	27"		

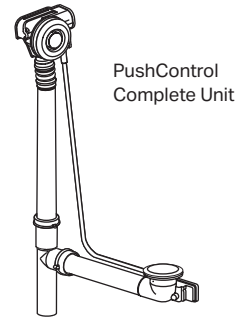
Note: ForeverShine™ finishes ensure the quality and look of your Geberit BWO will last a lifetime. Geberit offers a limited lifetime warranty on ForeverShine™ products installed in residential applications.

### PushControl Accessories

Description	Model No.
PushControl Toolkit (Included with purchase of each PushControl Complete Unit)	241.729.00.1



PushControl Toolkit

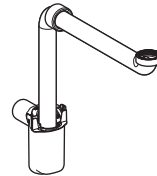


PushControl Complete Unit

## Lavatory Traps

Includes rough-in piping, trap, seals and mounting hardware configured especially for the tight spaces of vanity mounted sinks

Material	Finish	Model No.	Description
Plastic	Alpine White	151.116.11.1	Outlet tube size 1-1/4" (32 mm) and sink connection thread G1-1/4"
		151.117.11.1	Outlet tube size 1-9/16" (40 mm) and sink connection thread G1-1/4"
		151.118.11.1	Outlet tube size 1-1/4" (32 mm) and sink connection thread G1-1/4" plus various adapters



\* Tub Depth is only a rough calculation. To ensure proper cable length, refer to information on pages 34 and 35.

# GEBERIT REPLACEMENT PARTS



Replacement Parts

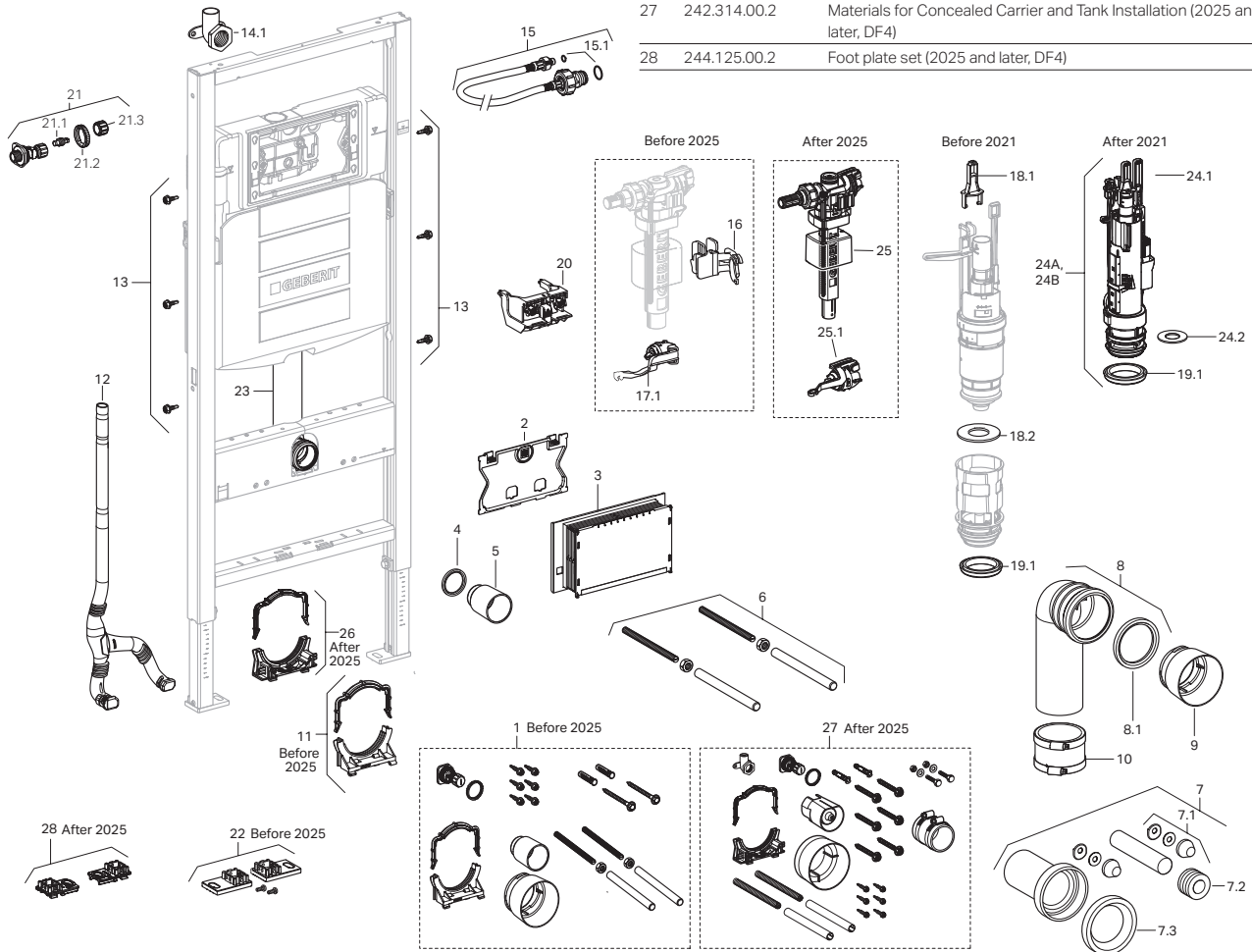
# INSTALLATION SYSTEMS

## Replacement Parts

### Geberit Duofix WC Carrier 111.335.00.X and 111.902.00.X, Sigma 2x6 Installation

Item	Model No.	Description
1	242.314.00.1	Materials for Concealed Carrier and Tank installation (before 2025, DF3)
2	242.315.00.1	Splash guard protection cover for Sigma Concealed Tank
3	243.345.00.1 or 243.168.00.1	Mud guard protection housing for Sigma Concealed Tanks 2x6 and 2x4, plastic
4	362.771.00.1	Seal for concealed flush pipe, EPDM
5	362.796.00.6	Protection plug, plastic
6	240.189.00.1	Threaded rod for wall-mounted toilet or bidet installation
7	152.404.46.1	Connector set with mounting hardware (bowl installation kit), HDPE; Matte Chrome cover caps
7	152.404.11.1	Connector set with mounting hardware (bowl installation kit), HDPE; Matte White cover caps (accessory only)
7.1	217.713.46.1	Cover caps with leveling washer, plastic, Matte Chrome
7.2	119.668.00.1	Seal for supply inlet tube, EPDM
7.3	152.424.00.1	Seal for toilet outlet connector, EPDM
8	366.061.16.1	HDPE waste fitting outlet bend, 1 x 90° bend with socket for Ø3.50" (Ø90 mm) push fit piping and Ø3.50" (Ø90 mm) outlet
8.1	387.282.00.1	Seal for outlet bends, EPDM
9	366.820.00.6	Protection plug, plastic
10	—	Flexible coupling FERNCO 3005-33
11	242.012.00.1	Outlet pipe bracket, complete (before 2025, DF3)
12	242.886.00.1	Conduit pipe for shower toilet water supply with Sigma Concealed Tank 2x6, Omega Concealed Tank or Kappa Concealed Tank (from 2013 on)

Item	Model No.	Description
13	111.892.00.1	Frame mounting screws for steel stud construction, galvanized, self-tapping
14	240.853.00.1	Supply angle stop (black handle)
14.1	240.851.00.1	Drop ear elbow, copper
15	240.921.00.1	Connection hose for Sigma Concealed Tank, 3/8"
15.1	240.922.00.1	Set of seals for RFB hose
16	240.923.00.1	Fixation clip for filling valve Type 380
17.1	240.771.00.1	Seal kit for filling valve Type 380 (before 2025, DF3)
18.1	241.167.00.1	Yoke set for flush valves
18.2	816.418.00.1	Geberit flat gasket for flush valve
19.1	241.868.00.1	U-cup seal for valve basket
20	241.829.00.1	Flush actuator gear box
21	240.269.00.1	Angle stop valve to concealed tank (blue handle)
21.1	240.298.00.1	Spindle to angle stop valve
21.2	241.857.00.1	Counter nut, plastic
21.3	240.347.00.1	Handle for angle stop valve (blue)
22	244.125.00.1	Foot plate set (before 2025, DF3)
23	242.698.00.1	Concealed Flush Bend for Sigma tank
24A	244.820.00.1	1.6/0.8 GPF dual flush valve for Sigma Tanks
24B	245.400.00.1	1.28/0.8 GPF dual flush valve for Sigma Tanks
24.1	244.844.00.1	Handle set
24.2	244.244.00.1	Flat gasket seal
25	241.469.00.5	Filling valve Type 383 for Sigma and Delta concealed tanks
25.1	245.988.00.1	Seal kit for type 383 fill valve
26	242.012.00.2	Outlet pipe bracket, complete (2025 and later, DF4)
27	242.314.00.2	Materials for Concealed Carrier and Tank Installation (2025 and later, DF4)
28	244.125.00.2	Foot plate set (2025 and later, DF4)



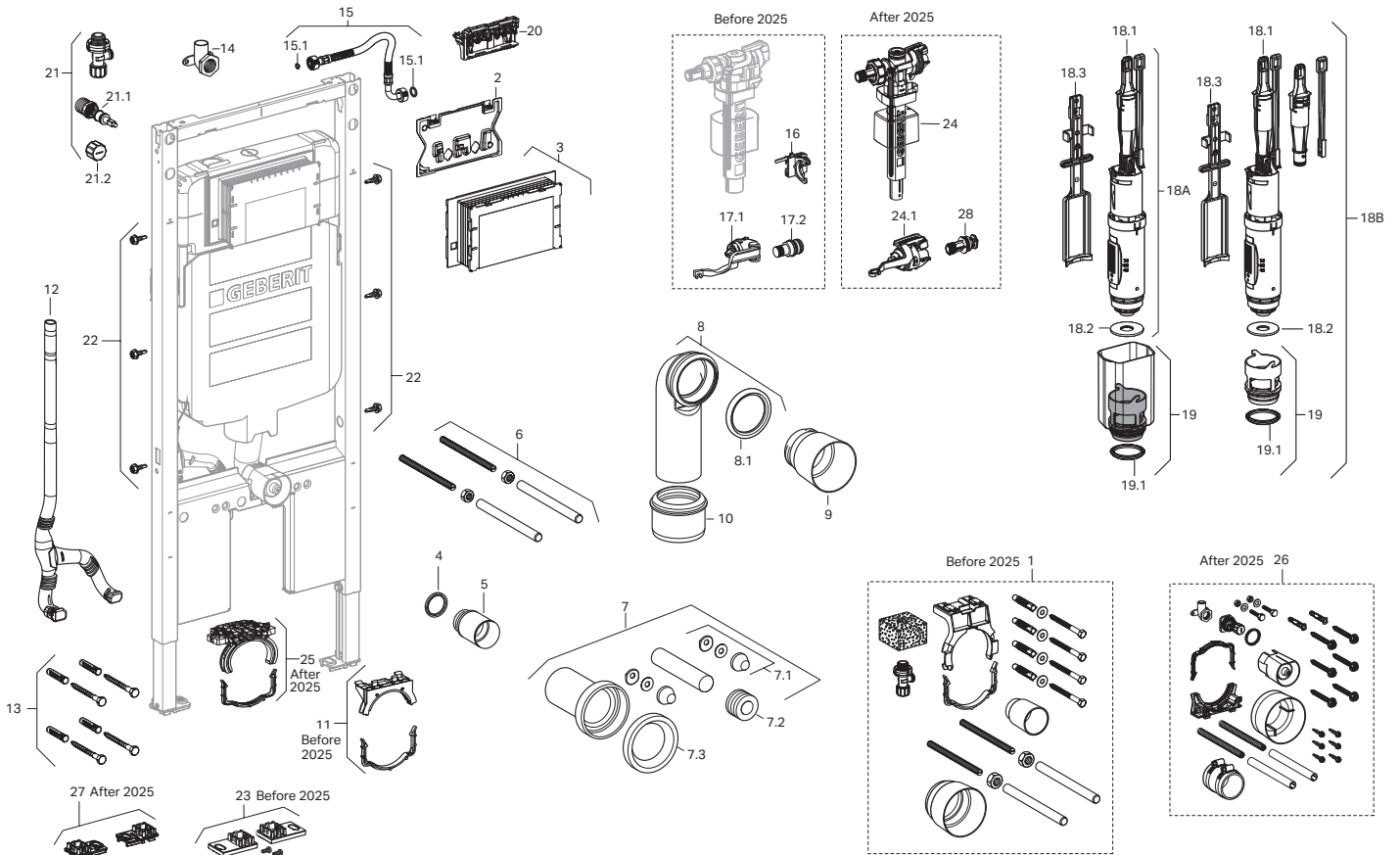
# INSTALLATION SYSTEMS

## Replacement Parts

### Geberit Duofix WC Carrier 111.798.00.X and 111.597.00.X, Sigma 2x4 Installation

Item	Model No.	Description
1	242.314.00.1	Materials for Concealed Carrier and Tank installation
2	242.418.00.1	Splash guard protection cover for Sigma Concealed Tank 2x4
3	243.345.00.1 or 243.168.00.1	Mud guard protection housing for Sigma Concealed Tank 2x4, plastic
4	362.771.00.1	Seal for concealed flush pipe, EPDM
5	362.796.00.6	Protection plug, plastic
6	240.189.00.1	Threaded rod for wall-mounted toilet or bidet installation
7	152.404.46.1	Connector set with mounting hardware (bowl installation kit), HDPE, Matte Chrome cover caps
7	152.404.11.1	Connector set with mounting hardware (bowl installation kit), HDPE, Matte White cover caps (accessory only)
7.1	217.713.46.1	Cover caps with leveling washer, plastic, Matte Chrome
7.2	119.668.00.1	Seal for supply inlet tube, EPDM
7.3	152.424.00.1	Seal for toilet outlet connector, EPDM
8	241.899.00.1	HDPE waste fitting outlet bend, 1 x 90° bend with socket for Ø3.50" (Ø90 mm) push fit piping and Ø3.50" (Ø90 mm) outlet
8.1	387.282.00.1	Seal for outlet bends, EPDM
9	366.820.00.6	Protection plug, plastic
10	—	Flexible coupling FERNCO 3005-33
11	242.012.00.1	Outlet pipe bracket, complete (before 2025, DF3)
12	242.886.00.1	Conduit pipe for shower toilet water supply with Sigma Concealed Tank 2x4 (from mid-2013 on)
13	216.179.00.1	Installation hardware
14	240.851.00.1	Drop ear elbow, copper
15	243.175.00.1	Connection hose for Sigma Concealed Tank 2x4, 3/8"

Item	Model No.	Description
15	243.357.00.1	Connection hose for Sigma Concealed Tank 2x4, 3/8" - for salt water applications
15.1	240.922.00.1	Set of seals for RFB hose
16	243.279.00.1	Fixation clip for filling valve for Type 380
17.1	240.771.00.1	Seal kit for filling valve Type 380
17.2	241.670.00.1	Nipple to filling valve Type 380 for Sigma Concealed Tank 2x4
18A	243.727.00.1	1.28/0.8 GPF dual-flush valve for Sigma Concealed Tank 2x4 (111.597)
18B	241.290.00.1	Dual-flush valve for 1.6/0.8 GPF Sigma Concealed Tank 2x4 (111.728/111.798)
18.1	241.167.00.1	Yoke set for flush valves
18.2	241.291.00.1	Flat gasket for flush valve for Sigma Concealed Tank 2x4
18.3	241.292.00.1	Fixing rail to Sigma Concealed Tank 2x4
19	242.269.00.1	Valve seat basket and noise bushing for flush valve
19.1	241.293.00.1	U-cup seal for valve basket
20	243.344.00.1	Flush actuator gear box
21	240.847.00.1	Stop valve to concealed tank (blue handle for salt water applications)
21	242.414.00.1	Stop valve to concealed tank (blue handle)
21.1	240.298.00.1	Spindle to angle stop valve
21.2	240.347.00.1	Handle for angle stop valve (blue)
22	111.892.00.1	Frame mounting screws for steel stud construction, galvanized, self-tapping
23	244.125.00.1	Foot plate set (before 2025, DF3)
24	222.294.00.5	Filling valve Type 383 for Sigma and Delta concealed tanks
24.1	245.988.00.1	Seal kit for type 383 fill valve
25	246.186.00.2	Outlet pipe bracket, complete (2025 and later, DF4)
26	242.314.00.2	Materials for Concealed Carrier and Tank Installation (2025, DF4)
27	244.125.00.2	Foot plate set (2025, DF4)
28	246.177.00.1	Nipple to filling valve Type 383 for Sigma Concealed Tank 2x4



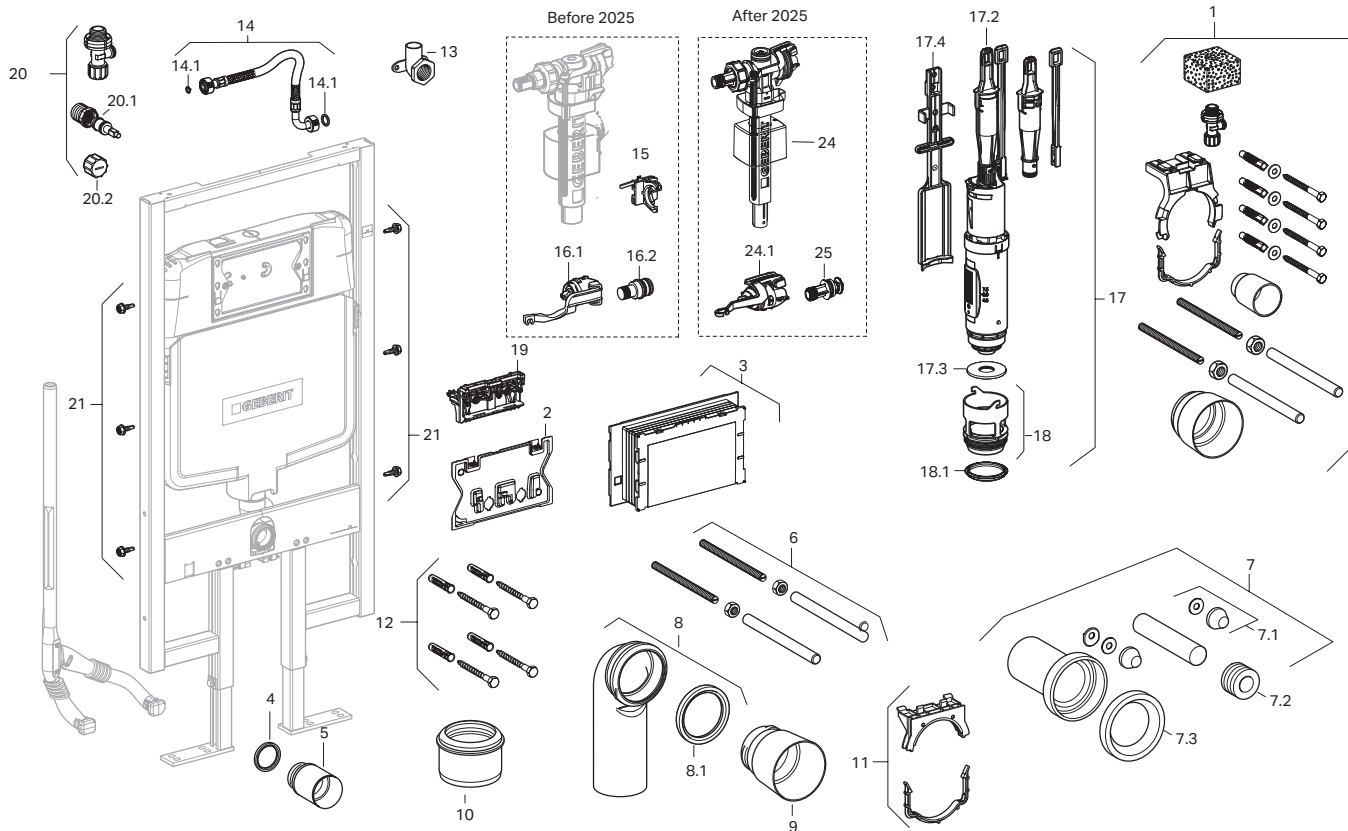
# INSTALLATION SYSTEMS

## Replacement Parts

### INACTIVE Geberit WC Duofix Carrier 111.728.00.1, Sigma 2x4 Installation

Item	Model No.	Description
1	242.314.00.1	Materials for Concealed Carrier and Tank installation
2	242.418.00.1	Splash guard protection cover for Sigma Concealed Tank 2x4
3	243.345.00.1 or 243.168.00.1	Mud guard protection housing for Sigma Concealed Tank 2x4, plastic
4	362.771.00.1	Seal for concealed flush pipe, EPDM
5	362.796.00.6	Protection plug, plastic
6	240.189.00.1	Threaded rod for wall-mounted toilet or bidet installation
7	152.404.11.1	Connector set with mounting hardware (bowl installation kit), HDPE; Matte Chrome cover caps
7.1	217.713.46.1	Cover caps with leveling washer, plastic, Matte Chrome
7.2	119.668.00.1	Seal for supply inlet tube, EPDM
7.3	152.424.00.1	Seal for toilet outlet connector, EPDM
8	241.899.00.1	HDPE waste fitting outlet bend, 1 x 90° bend with socket for Ø3.50" (Ø90 mm) push fit piping and Ø3.50" (Ø90 mm) outlet
8.1	387.282.00.1	Seal for outlet bends, EPDM
9	366.820.00.6	Protection plug, plastic
10	—	Flexible coupling FERNCO 3005-33
11	242.012.00.1	Outlet pipe bracket (complete)
12	216.179.00.1	Installation hardware
13	240.851.00.1	Drop ear elbow, copper
14	242.415.00.1	Connection hose for Sigma Concealed Tank 2x4, 3/8"
14.1	240.922.00.1	Set of seals for RFB hoses
15	241.286.00.1	Fixation clip for filling valve Type 380
16.1	240.771.00.1	Seal kit for filling valve Type 380

Item	Model No.	Description
16.2	241.670.00.1	Nipple to filling valve Type 380 for Sigma Concealed Tank 2x4
17	241.290.00.1	Dual-flush valve complete with valve seat basket for Sigma Concealed Tank 2x4 (111.728/111.798)
17.2	241.167.00.1	Yoke set for flush valves
17.3	241.291.00.1	Flat gasket for flush valve for Sigma Concealed Tank 2x4
17.4	241.292.00.1	Fixing rail to Sigma Concealed Tank 2x4
18	242.269.00.1	Valve seat basket and noise bushing for flush valve
18.1	241.293.00.1	U-cup seal for valve basket
19	242.417.00.1	Flush actuator gear box
20	240.847.00.1	Stop valve to concealed tank (blue handle - for salt water applications)
20	242.414.00.1	Stop valve to concealed tank (blue handle)
20.1	240.298.00.1	Spindle to angle stop valve
20.2	240.347.00.1	Handle for angle stop valve (blue)
21	111.892.00.1	Frame mounting screws for steel stud construction, galvanized, self-tapping
22	249.801.00.1	Water supply hose for bidet seat add-on after finished installation (optional)
23	242.413.00.1	Water supply hose for bidet seat for 111.728.00.1 carrier with Sigma Concealed Tank 2x4 (UP720). For adding bidet seat to an installed carrier. For complete installation, must order with 249.801.00.1. (optional)
24	222.294.00.5	Fill Valve Type 383 for Sigma tanks
24.1	245.988.00.1	Seal kit for Type 383 Fill Valve
25	246.177.00.1	Nipple to filling valve Type 383 for Sigma Concealed Tank 2x4

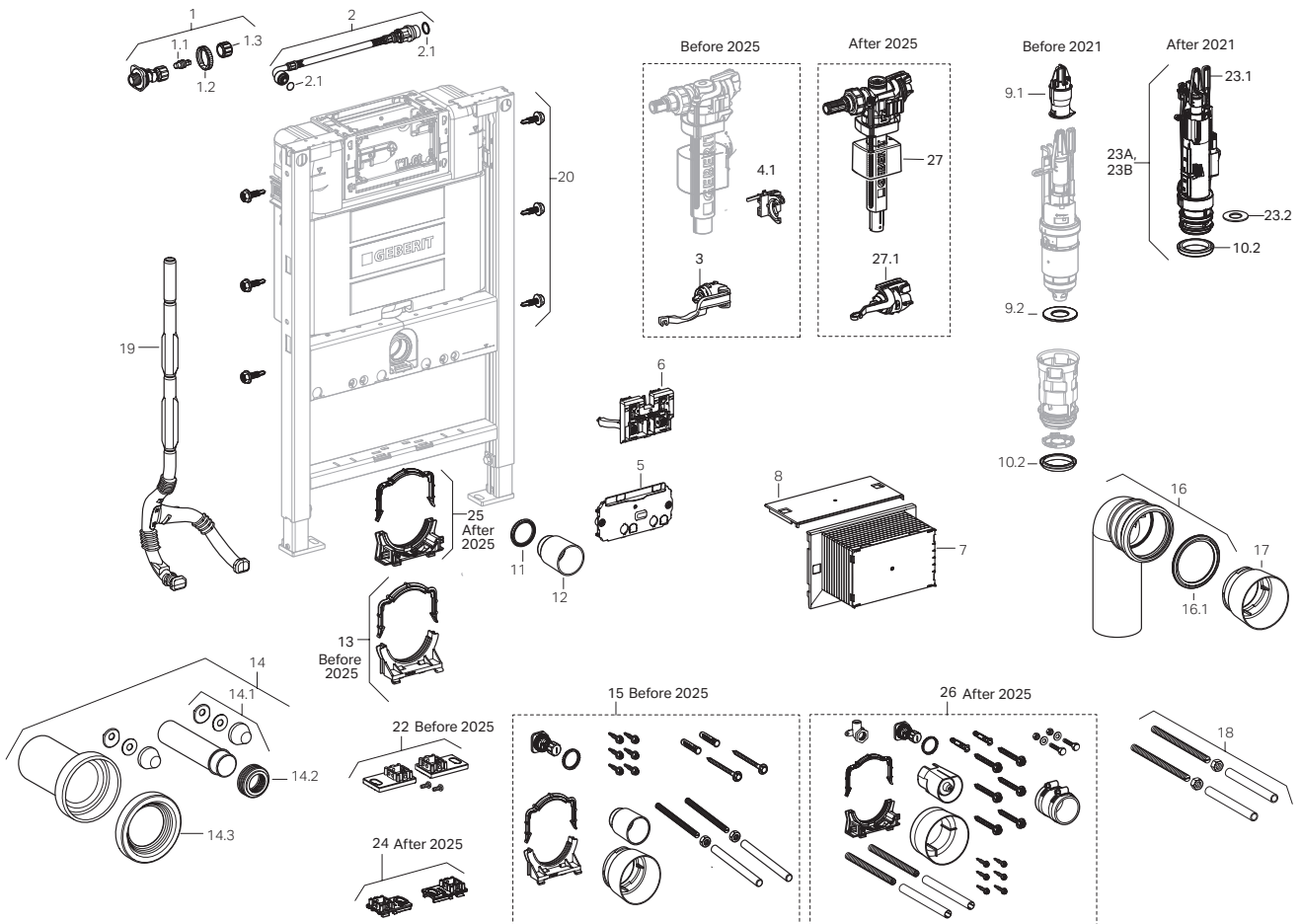


# INSTALLATION SYSTEMS

## Replacement Parts

### Geberit Duofix WC Carrier 111.012.00.X and 111.018.00.X, Omega 2x6 Installation

Item	Model No.	Description	Item	Model No.	Description
1	240.269.00.1	Angle stop valve to concealed tank (blue handle)	14.2	119.668.00.1	Seal for supply inlet tube, EPDM
1.1	240.298.00.1	Spindle to angle stop valve	14.3	152.424.00.1	Seal for toilet outlet connector, EPDM
1.2	241.857.00.1	Counter nut, plastic	15	242.314.00.1	Materials for Concealed Carrier and Tank installation (before 2025, DF3)
1.3	240.347.00.1	Handle for angle stop valve (blue)	16	366.061.16.1	HDPE waste fitting outlet bend, 1 x 90° bend with socket for Ø3.50" (Ø90 mm) push fit piping and Ø3.50" (Ø90 mm) outlet
2	240.629.00.1	Reinforced braided hose for Geberit Kappa and Omega Concealed Tank	16.1	387.282.00.1	Seal for outlet bends, EPDM
2.1	240.922.00.1	Set of seals for RFB hose	17	366.820.00.6	Protection plug, plastic
3	243.088.00.1	Mounting bracket for filling valve Type 380	18	240.189.00.1	Threaded rod for wall-mounted toilet or bidet installation
4.1	240.771.00.1	Seal kit for filling valve Type 380	19	242.886.00.1	Conduit pipe for shower toilet water supply with Sigma Concealed Tank 2x6, Omega Concealed Tank or Kappa Concealed Tank (from 2013 on)
5	243.090.00.1	Protection plate	20	111.892.00.1	Frame mounting screws for steel stud construction, galvanized, self-tapping
6	243.091.00.1	Support block	21	—	Flexible coupling FERNCO 3005-33
7	243.092.00.1	Mud guard protection housing	22	244.125.00.1	Foot plate set (before 2025, DF3)
8	243.093.00.1	Insertion plate	23A	245.365.00.1	1.6/0.8 GPF dual flush valve for Omega Tanks
9.1	241.167.00.1	Yoke set for flush valves	23B	245.372.00.1	1.28/0.8 GPF dual flush valve for Omega Tanks
9.2	816.418.00.1	Geberit flat gasket for flush valve	23.1	244.844.00.1	Handle set
10.2	241.868.00.1	U-cup seal for valve basket after 2008	23.2	244.244.00.1	Flat gasket seal
11	362.771.00.1	Seal for concealed flush pipe, EPDM	24	244.125.00.2	Foot plate set (2025 and later, DF4)
12	362.796.00.6	Protection plug, plastic	25	242.012.00.2	Outlet pipe bracket, complete (2025 and later, DF4)
13	242.012.00.1	Outlet pipe bracket complete (before 2025, DF3)	26	242.314.00.2	Materials for concealed carrier and tank installation (2025 and later, DF4)
14	152.404.46.1	Connector set with mounting hardware (bowl installation kit), HDPE; Matte Chrome cover caps	27	241.469.00.5	Fill Valve Type 383 for Sigma & Omega tanks
14.1	152.404.11.1	Connector set with mounting hardware (bowl installation kit), HDPE; Matte White cover caps (accessory only)	27.1	245.988.00.1	Seal kit for Type 383 Fill Valve
14.1	217.713.46.1	Cover caps with leveling washer, plastic, Matte Chrome			



# INSTALLATION SYSTEMS

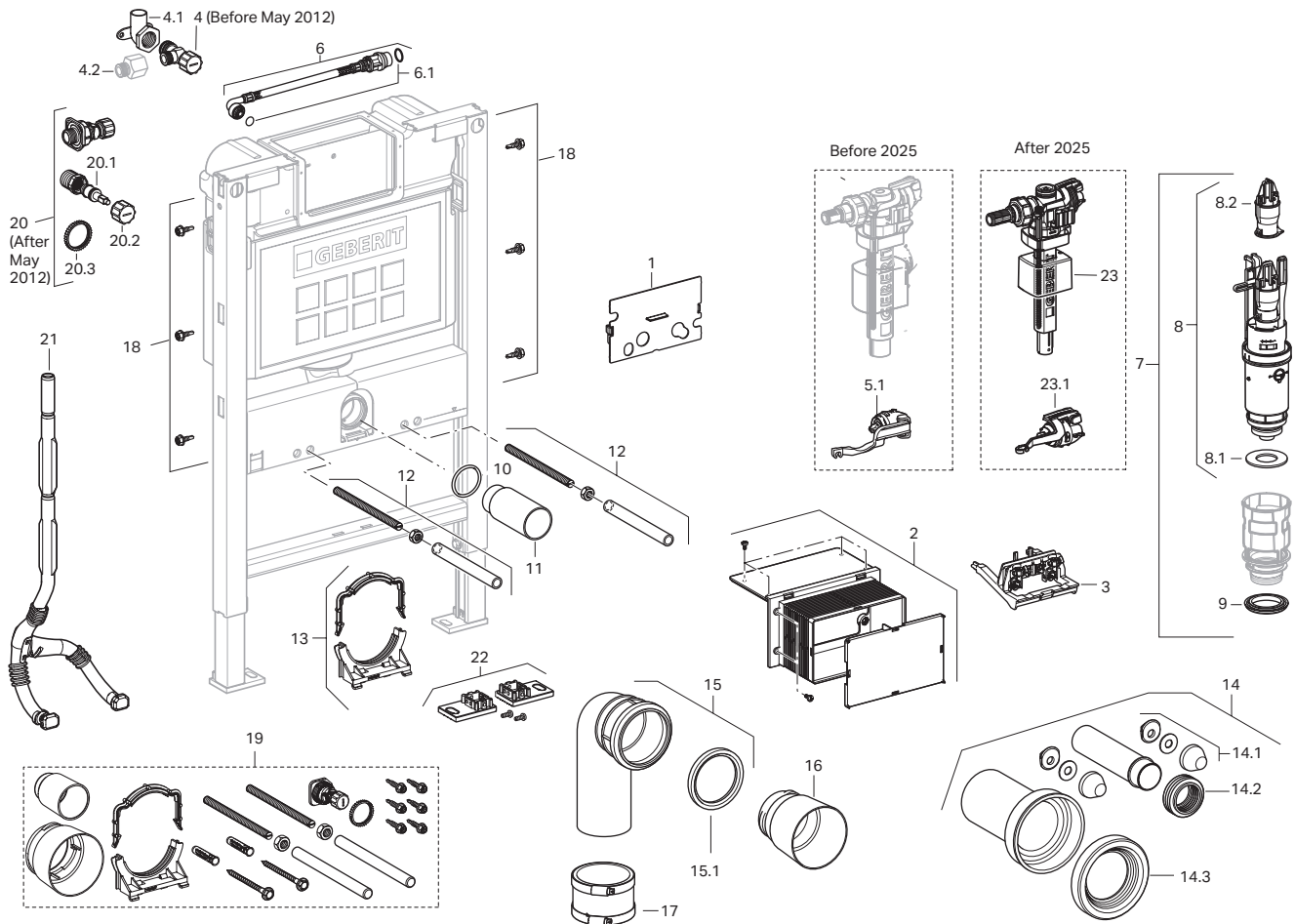
## Replacement Parts

### INACTIVE Geberit Duofix WC Carrier 111.255.00.1, 2x6 Installation

Item	Model No.	Description
1	242.316.00.1	Splash guard protection cover for Kappa Concealed Tank
2	240.172.00.1	Mud guard protection housing for Kappa Concealed Tank, plastic, comes standard
3	240.533.00.1	Flush actuator gear box
4	240.853.00.1	Supply angle Stop (black handle)
4.1	240.851.00.1	Drop ear elbow, copper
4.2	—	Adapter 3/8" BSPP-F to 1/2" NPT-M, Brass
5.1	240.771.00.1	Seal kit for filling valve Type 380
6	240.629.00.1	Connection hose for Kappa Concealed Tank
6.1	240.922.00.1	Set of seals for RFB hose
7	240.637.00.1	Dual-flush valve complete with valve seat basket for UP200
8	240.638.00.1	Dual-flush valve for Kappa Concealed Tank
8.1	816.418.00.1	Geberit flat gasket for flush valve
8.2	241.167.00.1	Yoke set for flush valves
9	241.868.00.1	U-cup seal for valve basket
10	362.771.00.1	Seal for concealed flush pipe, EPDM
11	362.796.00.6	Protection plug, plastic
12	240.189.00.1	Threaded rod for wall-mounted toilet or bidet installation
13	242.012.00.1	Outlet pipe bracket (complete)
14	152.404.46.1	Connector set with mounting hardware (bowl installation kit), HDPE; Matte Chrome cover caps

Item	Model No.	Description
14	152.404.11.1	Connector set with mounting hardware (bowl installation kit), HDPE; Matte White cover caps (accessory only)
14.1	217.713.46.1	Cover caps with leveling washer, plastic, Matte Chrome
14.2	119.668.00.1	Seal for supply inlet tube, EPDM
14.3	152.424.00.1	Seal for toilet outlet connector, EPDM
15	366.061.16.1	HDPE waste fitting outlet bend, 1 x 90° bend with socket for Ø3.50" (Ø90 mm) push fit piping and Ø3.50" (Ø90 mm) outlet
15.1	387.282.00.1	Seal for outlet bends, EPDM
16	366.820.00.6	Protection plug, plastic
17	—	Flexible coupling FERINCO 3005-33
18	111.892.00.1	Frame mounting screws for steel stud construction, galvanized, self-tapping
19	242.314.00.1	Installation materials for concealed carrier and tank
20	240.269.00.1	Angle stop valve to concealed tank (Blue handle)
20.1	240.298.00.1	Spindle to angle stop valve
20.2	240.347.00.1	Handle for angle stop valve (Blue)
20.3	241.857.00.1	Counter nut, plastic
21	242.886.00.1	Conduit pipe for shower toilet water supply with Sigma Concealed Tank 2x6, Omega Concealed Tank or Kappa Concealed Tank (from 2013 on)
22	244.125.00.1	Foot plate set
23	241.469.00.5	Fill Valve Type 383 for Sigma & Omega tanks
23.1	245.988.00.1	Seal kit for Type 383 Fill Valve

Replacement Parts



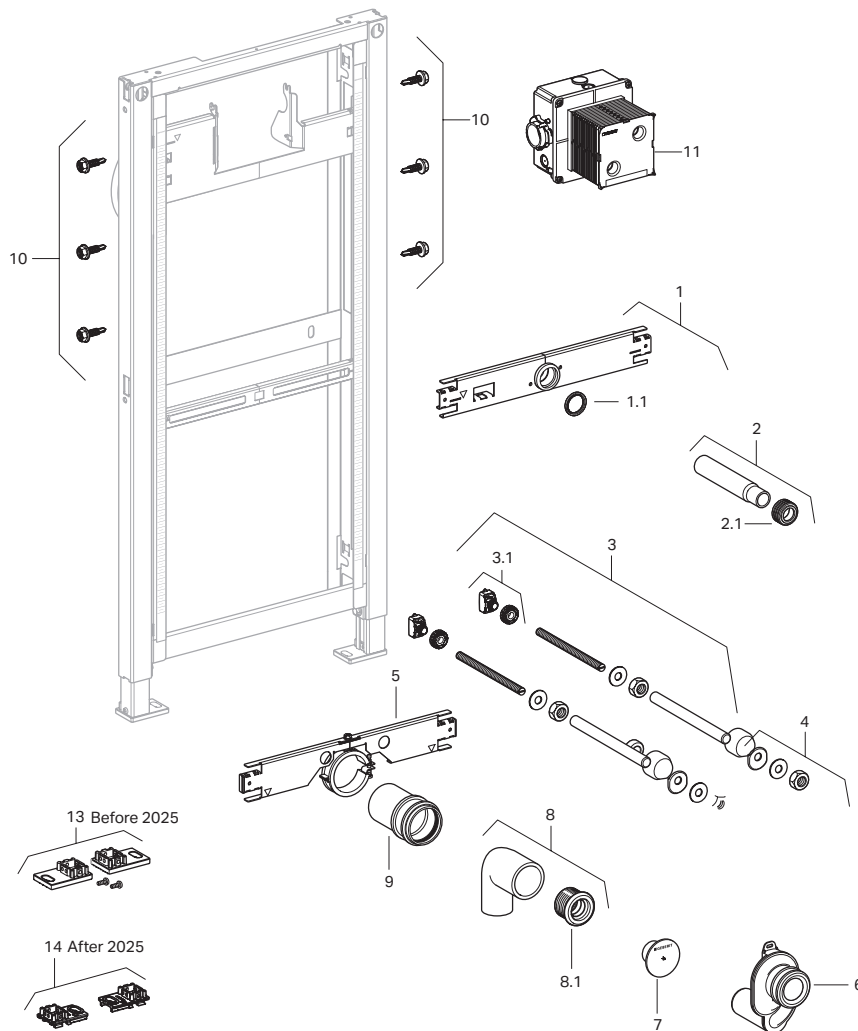
# INSTALLATION SYSTEMS

## Replacement Parts

### Geberit Duofix Urinal Carrier 111.625.00.X

Item	Model No.	Description
1	242.039.00.1	Crossbar for water supply
1.1	362.790.00.1	Round cord ring, EPDM
2	152.489.16.1	Supply inlet tube with seal, PE; with Ø1.34" (Ø35 mm) supply inlet
2.1	119.669.00.1	Sleeve, EPDM
3	242.045.00.1	Fixing, with plastic nuts, complete
3.1	242.046.00.1	Plastic union nuts for crossbar for fixing
4	240.027.46.1	Cover caps, plastic, Matte Chrome
5	242.047.00.1	Outlet cross member
6	152.950.11.1	Syphonic trap with horizontal outlet and seal, PE; with Ø1.97" (Ø50 mm) outlet
7	853.614.92.1	Protection plug

Item	Model No.	Description
8	240.315.00.1	Waste fitting outlet bend, PE; 1 x 90° bend with Ø2.48"/Ø1.97" (Ø63/Ø50 mm)
8.1	152.693.00.1	Seal for connector, EPDM; for Ø1.97" (Ø50 mm) outlet
9	242.516.00.1	Outlet pipe Ø1.97" (Ø50 mm) Terrain article no. 225.2G
10	111.892.00.1	Frame mounting screws for steel stud construction, galvanized, self-tapping
11	241.930.00.1	Mud guard protection housing and extension set for urinal carrier
12	242.131.00.1	Elbow, 90° (not shown)
13	244.125.00.1	Foot plate set (before 2025, DF3)
14	244.125.00.2	Foot plate set (2025 and later, DF4)

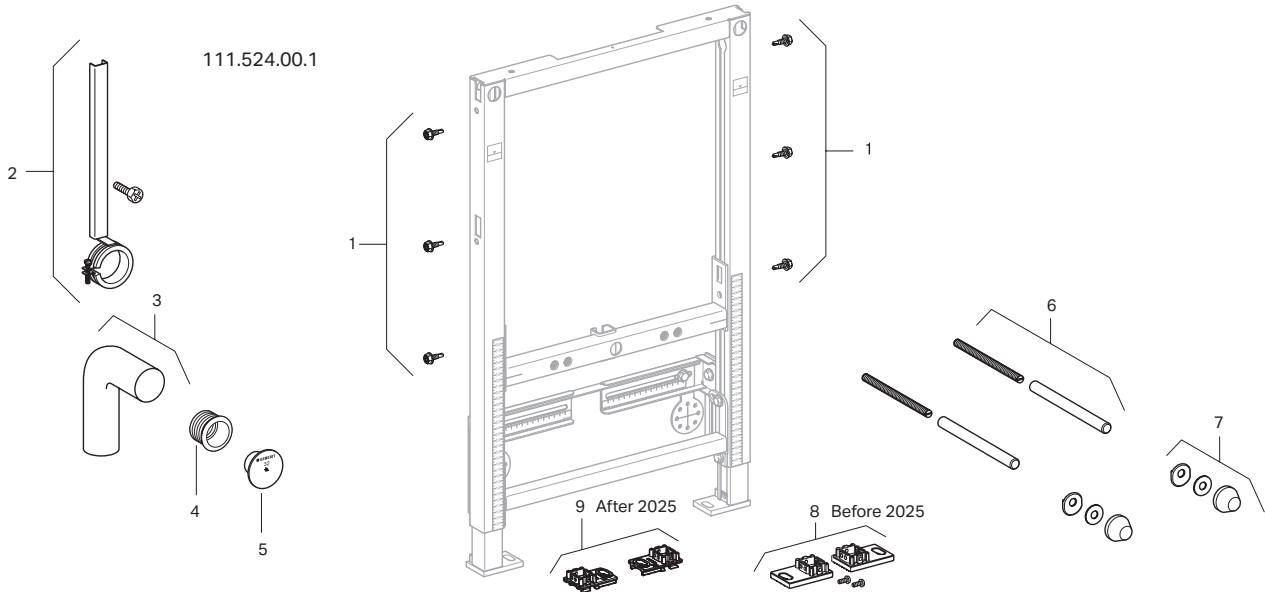
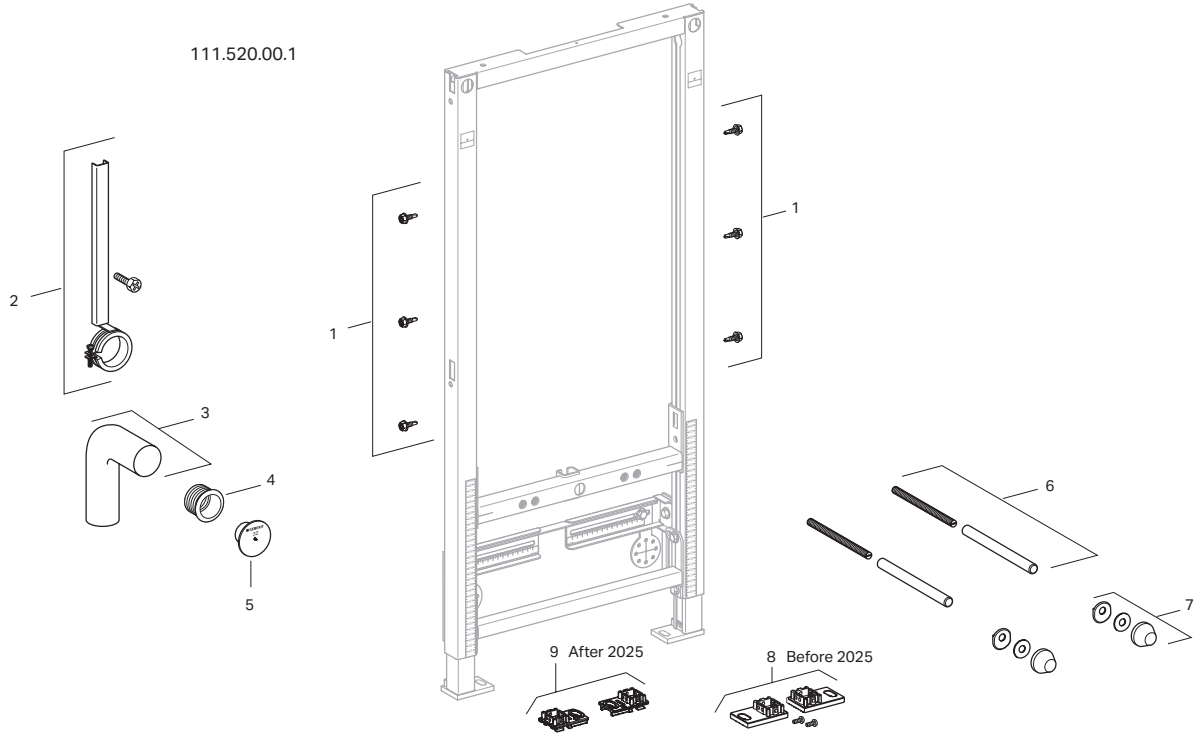


# INSTALLATION SYSTEMS

## Replacement Parts

### Geberit Duofix Bidet Carriers 111.520.00.X and 111.524.00.X

Item	Model No.	Description	Item	Model No.	Description
1	111.892.00.1	Frame mounting screws for steel stud construction, galvanized, self-tapping	5	240.306.00.1	Protection plug, Ø1.26" (Ø32 mm)
2	241.066.00.1	Pipe mounting bracket	6	240.189.00.1	Threaded rod for wall-mounted toilet or bidet installation
3	241.067.16.1	Outlet bend – 90 degrees	7	217.713.46.1	Cover caps with leveling washer, plastic, Matte Chrome
4	152.682.00.1	Outlet seal, EPDM, push on for Ø1.97" (Ø50 mm) tube	8	244.125.00.1	Foot plate set (before 2025, DF3)
			9	244.125.00.2	Foot plate set (2025 and later, DF4)



Replacement Parts

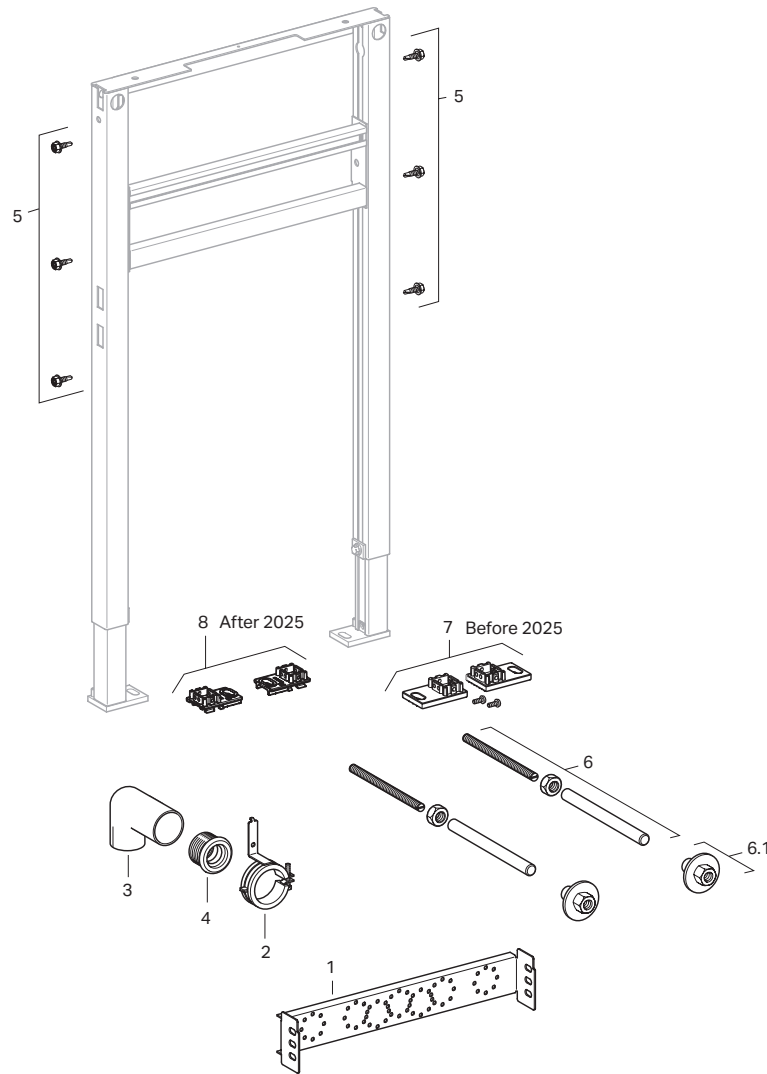
# INSTALLATION SYSTEMS

## Replacement Parts

### Geberit Duofix Washbasin Carrier 111.490.00.X

Item	Model No.	Description
1	241.803.00.1	Crossbar for deck-mounted faucet
2	241.805.00.1	Pipe bracket for outlet bend
3	241.067.16.1	Outlet bend – 90 degrees
4	152.682.00.1	Standard outlet seal, EPDM, push on for Ø1.97" (Ø50 mm) tube
	152.796.00.1	Outlet seal, EPDM Ø1.97"/Ø1.57" (Ø50/40 mm)

Item	Model No.	Description
5	111.892.00.1	Frame mounting screws for steel stud construction, galvanized, self-tapping
6	241.059.00.1	Threaded rod for wall-mounted washbasin
6.1	241.009.00.1	M10 nuts for Basin Frame set of 2
7	244.125.00.1	Foot plate set (before 2025, DF3)
8	244.125.00.2	Foot plate set (2025 and later, DF4)



Replacement Parts

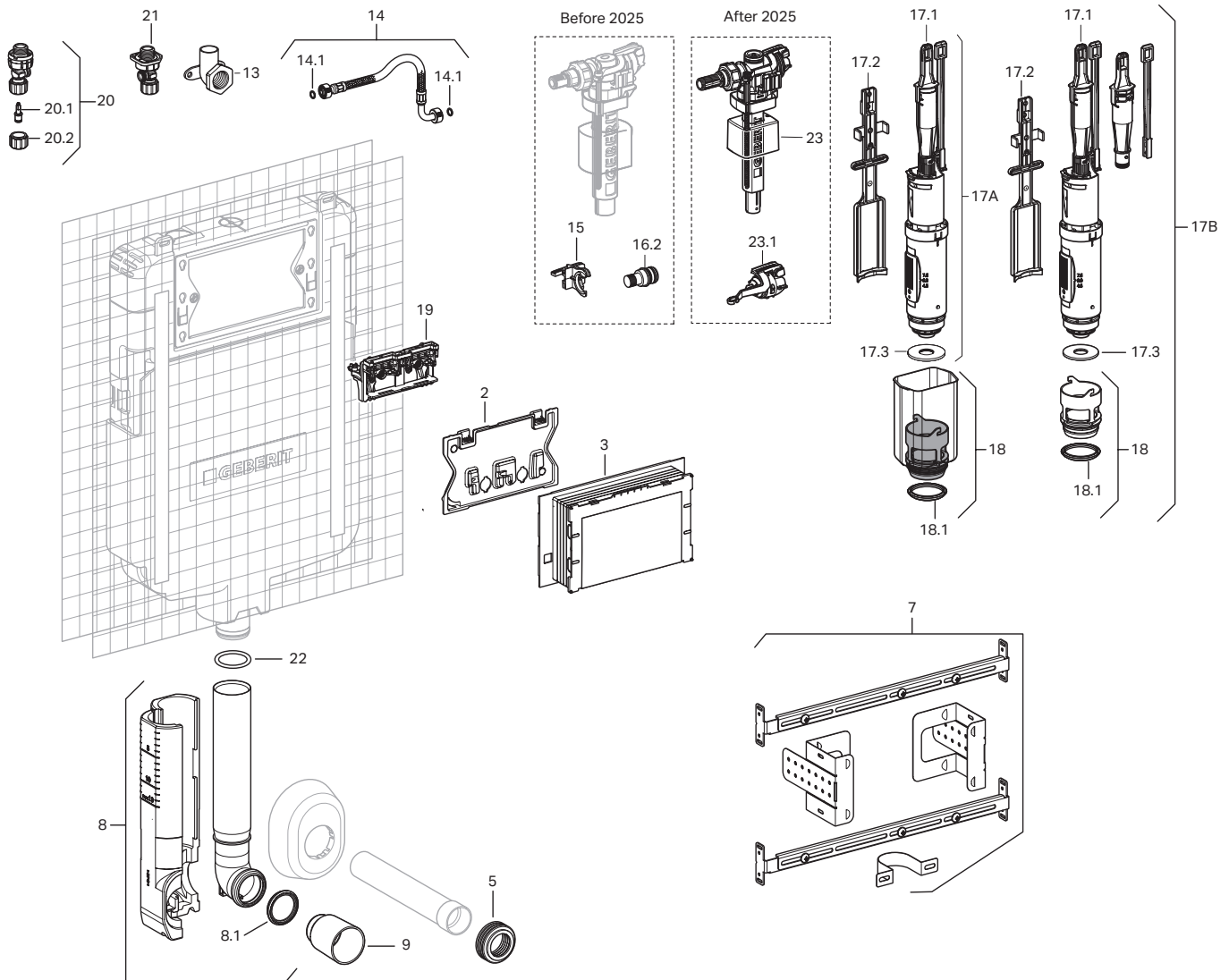
# INSTALLATION SYSTEMS

## Replacement Parts

### Geberit Concealed Tanks 109.797.00.1 and 109.781.00.1, Sigma 2x4 Installation

Item	Model No.	Description
2	242.418.00.1	Splash guard protection cover for Sigma Concealed Tank 2x4
3	243.345.00.1 or 243.168.00.1	Mud guard protection housing for Sigma Concealed Tank 2x4, plastic
5	119.668.00.1	Seal for supply inlet tube, EPDM
7	243.272.00.1	Mounting set for drywall constructions, for Sigma concealed cistern 12 cm and 8cm
8	241.294.00.1	Flush bend with flush bend guide: d=56mm, L=5.2cm
8.1	362.771.00.1	Seal for concealed flush pipe, EPDM
9	362.796.00.6	Protection plug, plastic
13	240.851.00.1	Drop ear elbow, copper
14	243.175.00.1	Connection hose for Sigma Concealed Tank 2x4, 3/8"
14	243.357.00.1	Connection hose for Sigma Concealed Tank 2x4, 3/8" - for salt water applications
14.1	240.922.00.1	Set of seals for RFB hoses
15	243.279.00.1	Fixation clip for filling valve Type 380
16.1	240.771.00.1	Seal kit for filling valve Type 380
16.2	241.670.00.1	Nipple to filling valve Type 380 for Sigma Concealed Tank 2x4

Item	Model No.	Description
17A	243.727.00.1	1.28/0.8 GPF dual-flush valve for Sigma Concealed Tank 2x4 (111.597)
17B	241.290.00.1	Dual-flush valve complete with valve seat basket for Sigma Concealed Tank 2x4 (111.728/111.798)
17.1	241.167.00.1	Yoke set for flush valves
17.2	241.292.00.1	Fixing rail to Sigma Concealed Tank 2x4
17.3	241.291.00.1	Flat gasket for flush valve for Sigma Concealed Tank 2x4
18	242.269.00.1	Valve seat basket and noise bushing for flush valve
18.1	241.293.00.1	U-cup seal for valve basket
19	243.344.00.1	Flush actuator gear box
20	242.414.00.1	Stop valve to concealed tank (blue handle)
20.1	240.298.00.1	Spindle to angle stop valve
20.2	240.347.00.1	Handle for angle stop valve (blue)
21	240.847.00.1	Stop valve to concealed tank (blue handle - for salt water applications)
22	892.975.00.1	O-ring for outlet connection piece
23	241.469.00.5	Fill Valve Type 383 for Sigma & Omega tanks
23.1	245.988.00.1	Seal kit for Type 383 Fill Valve



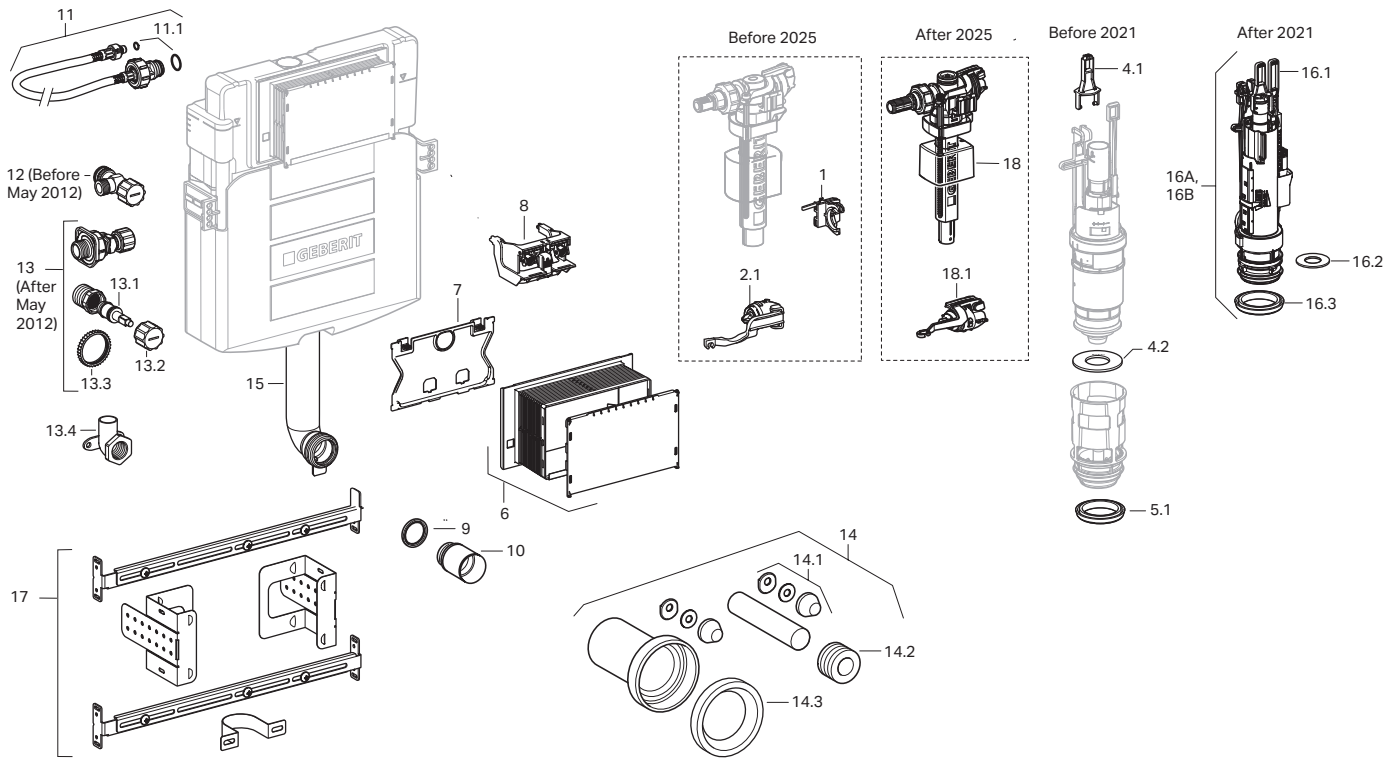
# INSTALLATION SYSTEMS

## Replacement Parts

### Geberit Sigma Concealed Tank 109.304.00.5 and 109.307.00.5, 2x6 Installation

Item	Model No.	Description	
1	240.923.00.1	Fixation clip for filling valve Type 380	
2.1	240.771.00.1	Seal kit for filling valve Type 380	
4.1	241.167.00.1	Yoke set for flush valves	12.00
4.2	816.418.00.1	Geberit flat gasket for flush valve	4.00
5.1	241.868.00.1	U-cup seal for valve basket	4.00
6	243.345.00.1 or 243.168.00.1	Mud guard protection housing for Sigma Concealed Tanks 2x6 and 2x4, plastic	18.00
7	242.315.00.1	Splash guard protection cover for Sigma Concealed Tank 2x6	10.00
8	241.829.00.1	Flush actuator gear box	10.00
9	362.771.00.1	Seal for concealed flush pipe, EPDM	4.00
10	362.796.00.6	Protection plug, plastic	7.00
11	240.921.00.1	Connection hose for Sigma Concealed Tank, 3/8"	17.00
	241.854.00.1	Connection hose for Sigma Concealed Tank, 3/8" – dezincification resistant	25.00
11.1	240.922.00.1	Set of seals for RFB hose	5.00
12	240.853.00.1	Supply angle stop (black handle)	15.00
13	240.269.00.1	Angle stop valve to concealed tank (blue handle)	23.00
13.1	240.298.00.1	Spindle to angle stop valve	
13.2	240.347.00.1	Handle for angle stop valve (blue)	

Item	Model No.	Description
13.3	241.857.00.1	Counter nut, plastic
13.4	240.851.00.1	Drop ear elbow, copper
14	152.404.46.1	Connector set with mounting hardware (bowl installation kit), HDPE; Matte Chrome cover caps
14	152.404.11.1	Connector set with mounting hardware (bowl installation kit), HDPE; Matte White cover caps (accessory only)
14.1	217.713.46.1	Cover caps with leveling washer, plastic, Matte Chrome
14.2	119.668.00.1	Seal for supply inlet tube, EPDM
14.3	152.424.00.1	Seal for toilet outlet connector, EPDM
15	242.698.00.1	Concealed Flush Bend for Sigma tank
16A	244.820.00.1	1.6/0.8 GPF dual flush valve for Sigma Tanks
16B	245.400.00.1	1.28/0.8 GPF dual flush valve for Sigma Tanks
16.1	244.844.00.1	Handle set
16.2	244.244.00.1	Flat gasket seal
16.3	241.868.00.1	U-cup seal for valve basket
17	243.272.00.1	Mounting set for drywall constructions, for Sigma concealed cistern 12 cm and 8 cm
18	241.469.00.5	Fill Valve Type 383 for Sigma & Omega tanks
18.1	245.988.00.1	Seal kit for Type 383 Fill Valve

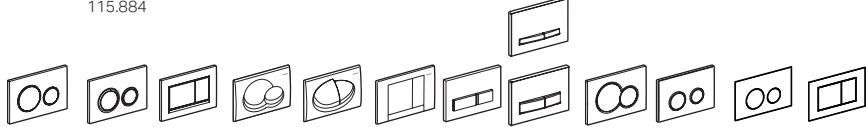


# INSTALLATION SYSTEMS

## Replacement Parts

### Geberit Samba, Twist, Bolero, Sigma01, Sigma20, Sigma21, Sigma30, Sigma40, and Sigma50 Actuators

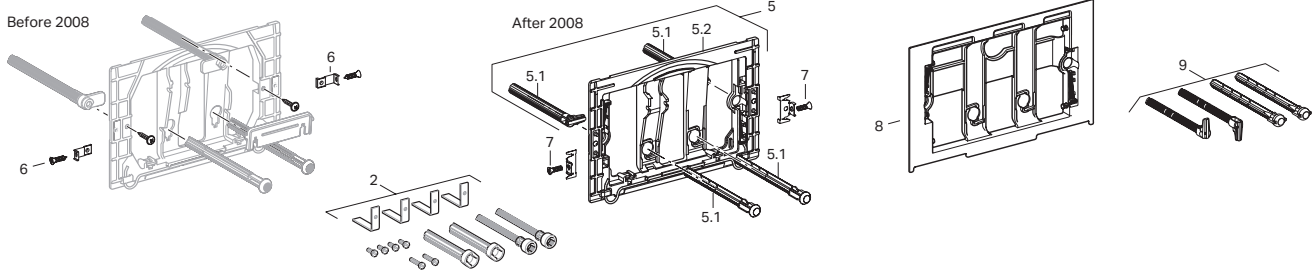
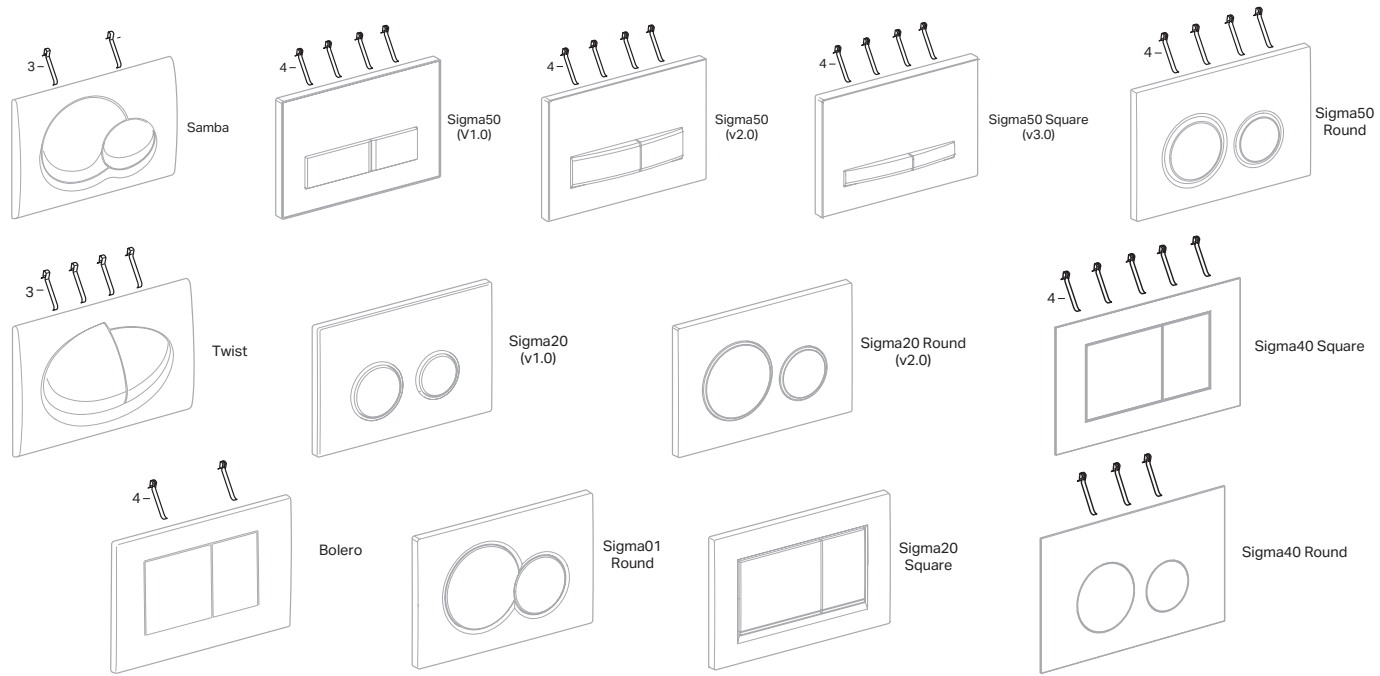
115.882	115.650	115.883	115.770	115.780	115.777	115.788	115.670	115.770	115.628	115.629	Actuator Dimensions: 9.7" x 6.5" (24.6 cm x 16.4 cm)
115.889	115.651					115.671		115.781			
	115.652					115.672					
	115.761					115.788					
	115.884										




Item	2	2	2	2	2	2	2	2	2	2	2	Model No.	Description	
												240.938.00.1	Extension set for actuator plates for Sigma Concealed Tanks 2x6, 2x4, Kappa and Omega Concealed Tanks	
				3	3	3						813.514.00.1	Spring for actuator plate	
							4	4				241.295.00.1	Spring for actuator plate, 10 pcs	
5	5	5	5	5	5	5	5	5	5			241.873.00.1	Conversion kit for tool-free assembly (converts units manufactured prior to 04.01.2008)	
5.1	5.1	5.1	5.1	5.1	5.1	5.1	5.1	5.1	5.1			241.874.00.1	Actuator bolt and rod kit, tool-free assembly	
5.2	5.2	5.2	5.2	5.2	5.2	5.2	5.2	5.2	5.2			241.876.00.1	Mounting frame, tool-free assembly	
				6	6	6						240.698.00.1	AV screws Twist plate + Allen key set-2	
7	7			7	7	7		7				241.877.00.1	Fastening set for mounting frame tool-free assembly	
													246.165.00.1	Mounting frame for Sigma40 round and square plates
													246.166.00.1	Actuator bolt and rod kit, tool-free assembly

115.628, 115.629, 115.650, 115.651, 115.652, 115.670, 115.671, 115.672, 115.761, 115.770, 115.777, 115.778, 115.780, 115.781, 115.788, 115.882, 115.883, 115.884, 115.889

Replacement Parts



Products marked with  comply with the American Disabilities Act (ADA) when installed per the requirements of the latest ADA Accessibility Guidelines (ADAAG) and/or ICC/ANSI A117.1.

# INSTALLATION SYSTEMS

## Replacement Parts

### Geberit Mambo, Rumba, Tango, and Sigma10 Actuators

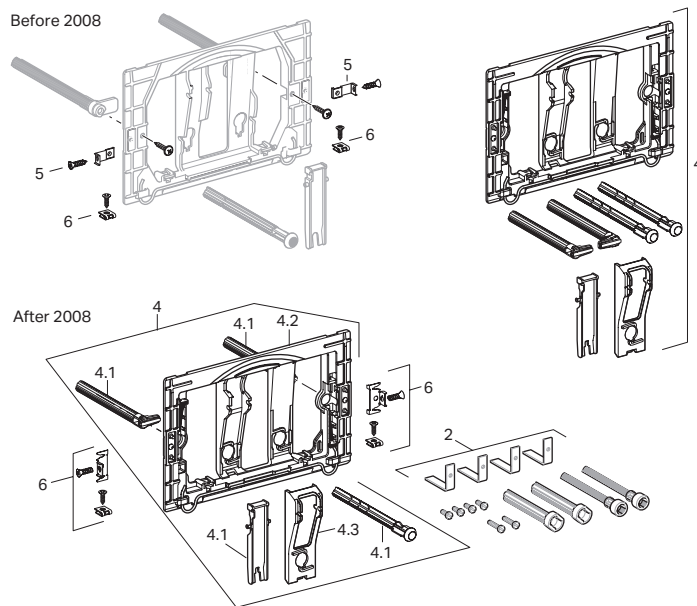
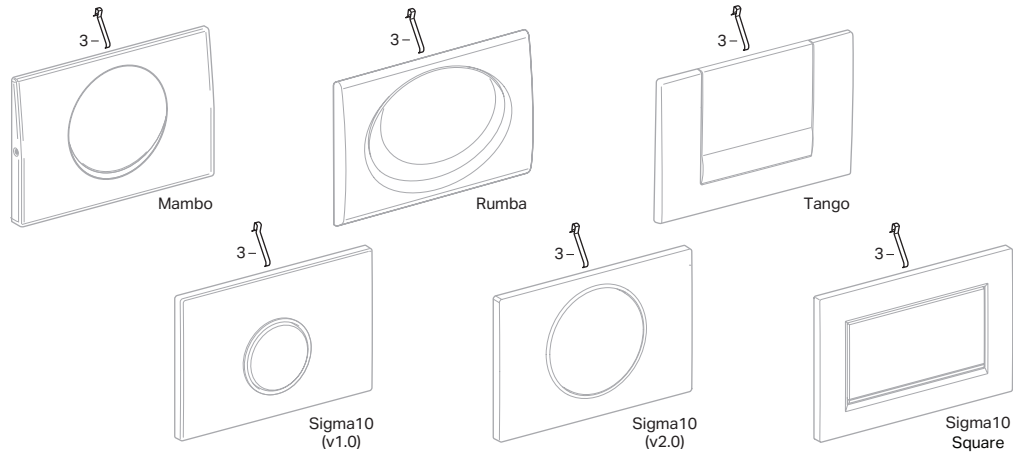
115.893 115.760 115.750 115.751 115.758 115.758/115.787


Actuator Dimensions: 9.7" x 6.5" (24.6 cm x 16.4 cm)



Item	115.893	115.760	115.750	115.751	115.758	115.758/115.787	Model No.	Description
2	2	2	2	2	2	2	240.938.00.1	Extension set for actuator plates for Sigma Concealed Tanks 2x6, 2x4, Kappa and Omega Concealed Tanks
3	3	3	3	3	3	3	813.514.00.1	Spring for actuator plate
4	4	4	4	4	4	4	241.873.00.1	Conversion kit for tool-free assembly (converts units manufactured prior to 04.01.2008)
4.1	4.1	4.1	4.1	4.1	4.1	4.1	241.874.00.1	Actuator bolt and rod kit, tool-free assembly
4.2	4.2	4.2	4.2	4.2	4.2	4.2	241.876.00.1	Mounting frame, tool-free assembly
				4.3			241.878.00.1	Rocker mounting Mambo, tool free. From 2008
5	5		5				241.093.00.1	Fastening for cover plate UP300 set-2
6	6		6			6	241.877.00.1	Fastening set for mounting frame, tool-free assembly

### 115.760, 115.750, 115.751, 115.758, 115.787, 115.893



Products marked with  comply with the American Disabilities Act (ADA) when installed per the requirements of the latest ADA Accessibility Guidelines (ADAAG) and/or ICC/ANSI A117.1.

# INSTALLATION SYSTEMS

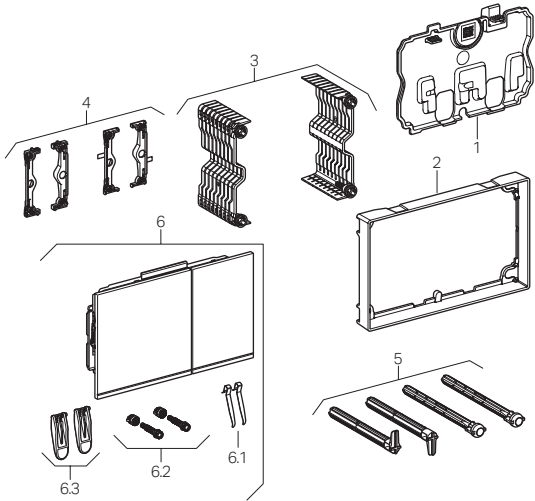
## Replacement Parts

### Geberit Sigma60 Actuators (2016 Version)

115.640 Actuator Dimensions: 8-7/16" x 5-3/16" (21.4 cm x 13.2 cm)



Item	Model No.	Description
1	243.423.00.1	Protection plate Sigma60 (2016)
2	243.413.00.1	Compensation frame Sigma60 (2016)
3	243.414.00.1	Distance element Sigma60 (2016) set-2
4	243.424.00.1	Adapter Set Sigma60 (2016)
5	242.588.00.1	Actuator rod set for Omega and Sigma60
6	243.415.GH.1	Actuator plate Sigma60 (2016), Bright Chrome
6	243.415.JK.1	Actuator plate Sigma60 (2016), Lava Glass
6	243.415.JL.1	Actuator plate Sigma60 (2016), Grey Sand Glass
6	243.415.SI.1	Actuator plate Sigma60 (2016), White Glass
6	243.415.SJ.1	Actuator plate Sigma60, Black Glass
6.1	813.514.00.1	Spring for actuator plate
6.2	242.920.00.1	Stopper pin for Sigma60/Omega60 set-2
6.3	243.422.00.1	Rocker actuator plate Sigma60 (2016) set

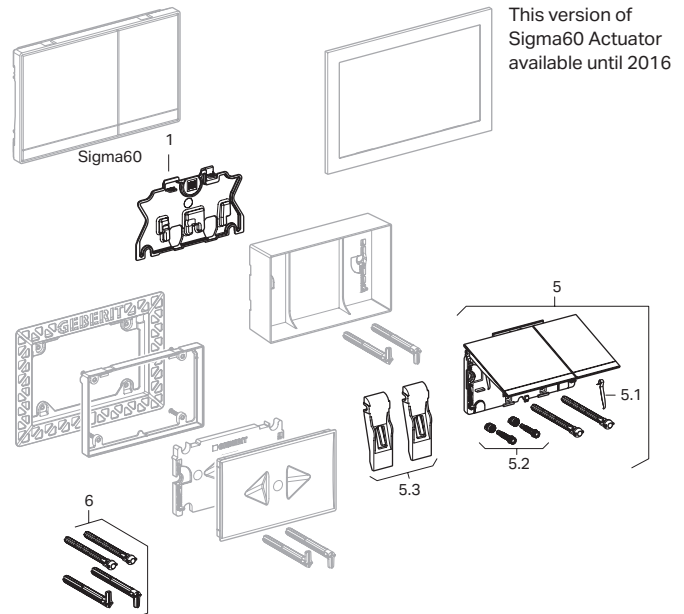



### Geberit Sigma60 Actuators (pre-2016)

115.795/115.796/115.792 Actuator Dimensions: 8.7" x 5.5" (22.1 cm x 13.9 cm)



Item	Model No.	Description
1	242.583.00.1	Protection plate
5	115.796.GH.1	Brushed Chrome trim set
5.1	813.514.00.1	Spring for actuator plate
5.2	242.920.00.1	Stopper pin for Omega60/Sigma60 set-2
5.3	243.278.00.1	Rocker plate for Omega60/Sigma60 set-2
6	242.588.00.1	Actuator rod set for Omega and Sigma60



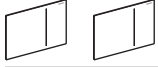
Products marked with  comply with the American Disabilities Act (ADA) when installed per the requirements of the latest ADA Accessibility Guidelines (ADAAG) and/or ICC/ANSI A117.1.

# INSTALLATION SYSTEMS

## Replacement Parts

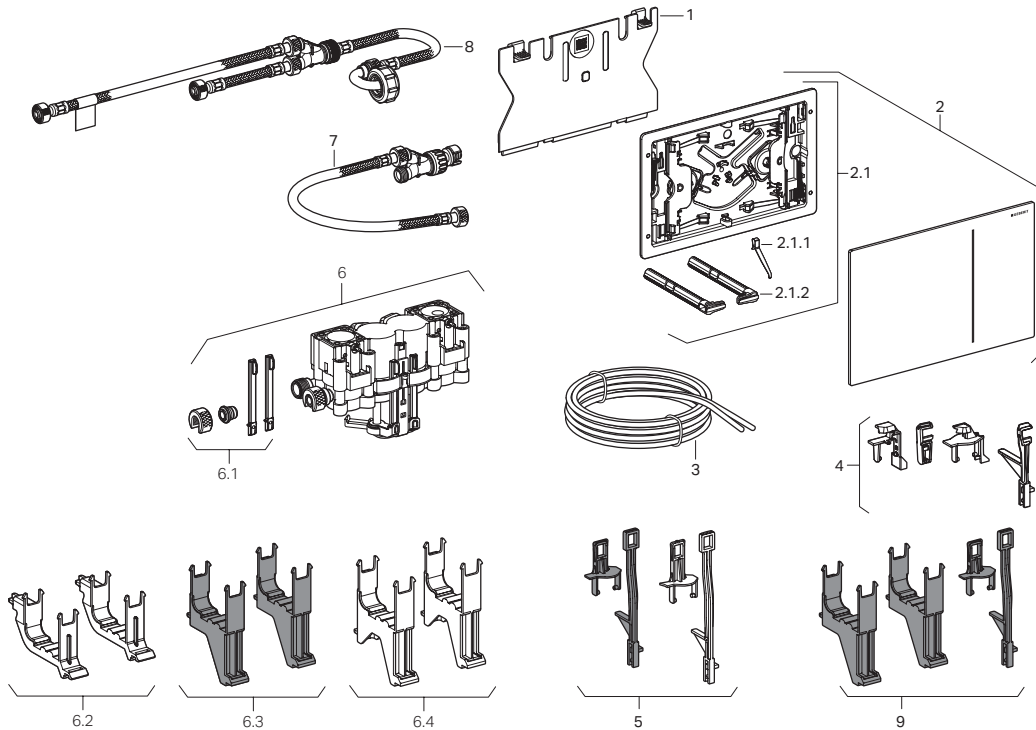
### Geberit Sigma70 Actuators


115.620 115.625 Actuator Dimensions: 9.5" x 6.3" (24 cm x 15.8 cm)



Item	Model No.	Description
1	242.819.00.1	Protection plate for Sigma Concealed Tank 2x6
1	243.084.00.1	Protection plate for Sigma Concealed Tank 2x4
2	242.813.FW.1	Actuator plate Sigma70, Brushed Stainless Steel
2	242.813.JK.1	Actuator plate Sigma70, Lava Glass
2	242.813.JL.1	Actuator plate Sigma70, Grey Sand Glass
2	242.813.SI.1	Actuator plate Sigma70, White Glass
2	242.813.SJ.1	Actuator plate Sigma70, Black Glass
2	242.813.00.1	Actuator plate Sigma70 customer supplied inlay
2.1	242.814.00.1	Mounting frame Sigma70
2.1.1	813.514.00.1	Spring for actuator plate
2.1.2	241.874.00.1	Actuator rod set mount w/o tool
3	243.297.00.1	Double pneumatic hose, 78.74" (2 m), dual-flush (Green/Clear)
4	242.825.00.1	Conversion set flush valve Sigma Concealed Tank, 4.72" (12 cm) and Omega Concealed Tank 2x6
5	242.826.00.1	Conversion set flush valve Sigma Concealed Tank, 3.16" (8 cm) 2x4
6	242.820.00.1	Hydraulic flushing device, 1-6 bar (15-87 psi)
	243.461.00.1	Hydraulic flushing device, 1-3 bar (15-44 psi). Optional replacement for low pressure service
6.1	242.822.00.1	Spare parts set for hydraulic lifter
6.2	243.170.00.1	Support block hydraulic servo lifter for 2x6 Sigma Concealed Tank
6.3	243.171.00.1	Support block hydraulic servo lifter for 2x4 Sigma Concealed Tank (until 2015, model 111.728.00.1 UP720)
6.4	243.347.00.1	Support block hydraulic servo lifter for 2x4 Sigma Concealed Tank (2016 version)
7	242.824.00.1	Connection hose complete for Sigma Concealed Tank, 4.72" (12 cm) 2x6
8	242.823.00.1	Connection hose complete for Sigma Concealed Tank, 3.16" (8 cm) 2x4
9	245.473.00.1	Conversion set for hydraulic servo lifter, for Sigma concealed tank 8 cm/2x4 (up to year of manufacture 2015, model 111.728.00.1 UP720)

For units until April 1, 2023



Products marked with  comply with the American Disabilities Act (ADA) when installed per the requirements of the latest ADA Accessibility Guidelines (ADAAG) and/or ICC/ANSI A117.1.

# INSTALLATION SYSTEMS

## Replacement Parts

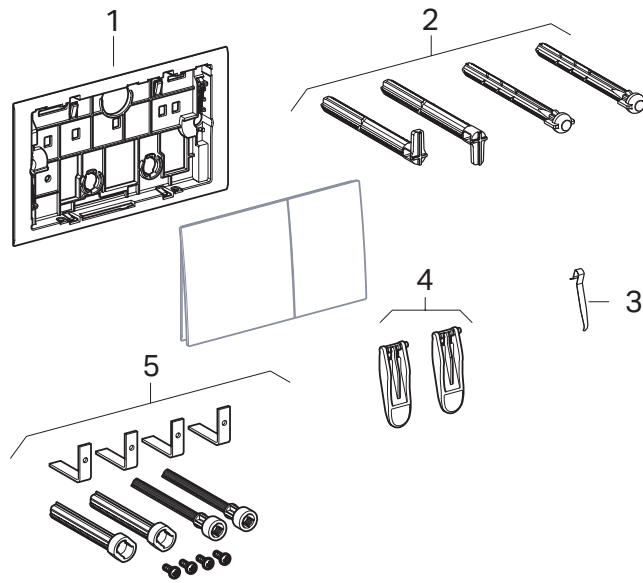
### Geberit Sigma70 Actuators


115.622 Actuator Dimensions: 9.8" x 5.8" (25 cm x 14.6 cm)



Item	Model No.	Description
1	245.735.00.1	Geberit mounting frame for Sigma70 actuator plate
1	245.735.JQ.1	Geberit mounting frame for Sigma70 actuator plate, matte chrome
2	242.588.00.1	Rod set to Sigma60
3	813.514.00.1	Spring for actuator plate
4	243.422.00.1	Rocker act plate Sigma 60(2016) Set-2
5	240.938.00.1	Extension set for actuator plates for Sigma Concealed Tanks 2x6, 2x4, Kappa and Omega Concealed Tanks

For units from June 1, 2023



Products marked with  comply with the American Disabilities Act (ADA) when installed per the requirements of the latest ADA Accessibility Guidelines (ADAAG) and/or ICC/ANSI A117.1.








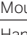
# INSTALLATION SYSTEMS

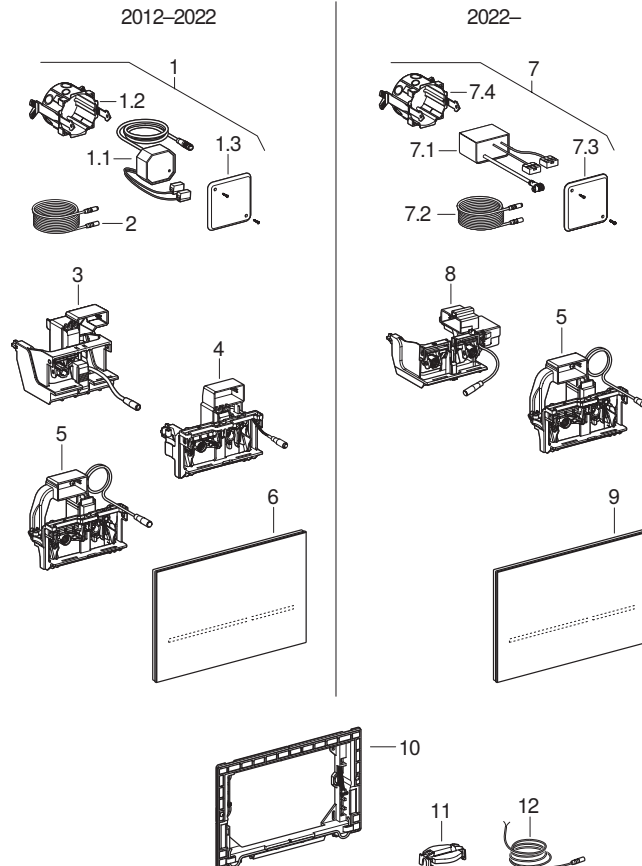
## Replacement Parts


### Geberit Sigma80 Actuators Mains Power for Sigma12(2x6) and Sigma8(2x4)

116.090 116.091 116.092 Actuator Dimensions: 9.75" x 6.5" (24.6 cm x 16.4 cm)



Item	Model No.	Description
1	115.861.00.1	Control installation set (2022 and earlier)
1.1	241.149.00.1	Power supply unit (2022 and earlier)
1.2	241.302.00.1	Housing for electric socket
1.3	241.161.00.1	Cover for housing for electric socket
2	241.831.00.1	Extension mains cable (2022 and earlier)
3	241.150.00.1	Lifting device WC-control w/servomotor, 2x6 (2022 and earlier)
4	242.424.00.1	Lifting device WC-control, 2x4
5	243.356.00.1	Electronic lifting device for Sigma concealed cistern 8 cm (from year of manufacture 2016)
6	242.618.SG.1	Actuator plate Sigma80 for dual flush: black glass (2022 and earlier)
6	242.618.SM.1	Actuator plate Sigma80 for dual flush: glass, reflective (2022 and earlier)
7	115.861.00.6	 Geberit installation set with power supply unit, for WC flush controls with electronic flush actuation, 12 V (from year 2022)
7.1	243.971.00.1	 Power supply unit 230 V / 12 V / 50 Hz, for Geberit DuoFresh module, for outlet mounting box (from year 2022)
7.2	244.094.00.1	 Voltage supply cable 12 V for Geberit DuoFresh module (from year 2022)
7.3	241.161.00.1	Cover for housing for electric socket
7.4	241.302.00.1	Housing for electric socket
8	245.551.00.6	 Lifting device WC-control w/servomotor EL (from year 2022)
9	245.541.SG.6	 Sigma80 actuator plate, for Sigma concealed cistern, 12 cm, mains operation, 12 V (from year 2022)
9	245.541.SM.6	 Sigma80 actuator plate, for Sigma concealed cistern, 12 cm, mains operation, 12 V (from year 2022)
	245.542.SG.6	 Sigma80 actuator plate, for Sigma concealed cistern, 8 cm, mains operation, 12 V (from year 2022)
	245.542.SM.6	 Sigma80 actuator plate, for Sigma concealed cistern, 8 cm, mains operation, 12 V (from year 2022)
10	242.617.00.1	Mounting frame for Geberit actuator plate Sigma80
11	242.975.11.1	Handle crown for flush valve: white alpine
12	242.658.00.1	Connection cable 78.74" (2.0 m) WC-control Sigma80



Products marked with  comply with the American Disabilities Act (ADA) when installed per the requirements of the latest ADA Accessibility Guidelines (ADAAG) and/or ICC/ANSI A117.1.

# INSTALLATION SYSTEMS

## Replacement Parts


### Geberit Hands-Free Sigma10 and Mambo Actuator, Mains Power for Sigma12(2x6)

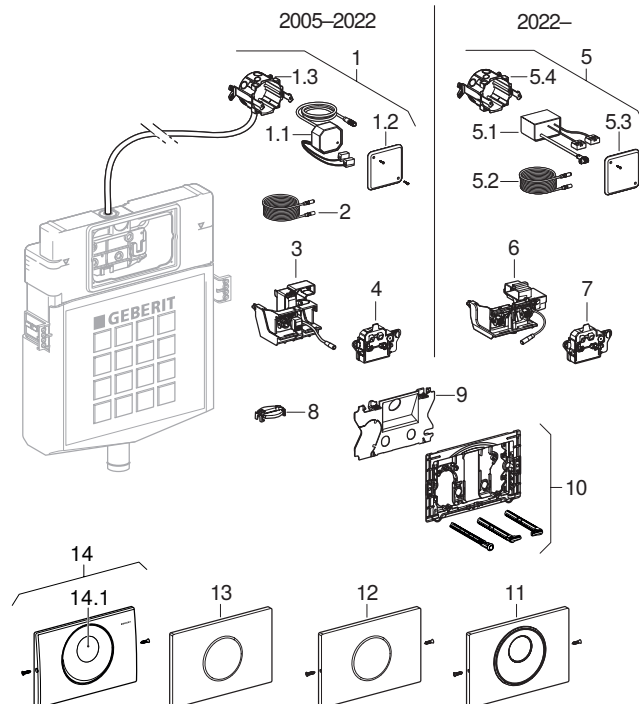
115.890


115.907



Actuator Dimensions: 9.7" x 6.5" (24.6 cm x 16.4 cm)

Item	Model No.	Description
1	115.861.00.1	Control installation set (2022 and earlier)
1.1	241.149.00.1	Power supply unit (2022 and earlier)
1.2	241.161.00.1	Cover for housing for electric socket
1.3	241.302.00.1	Housing for electric socket
2	241.831.00.1	Extension mains cable (2022 and earlier)
3	241.150.00.1	Lifting device with servo-motor for WC-control (2022 and earlier)
4	241.476.00.1	Electronic sensor for WC-control (2022 and earlier)
5	115.861.00.6	 Geberit installation set with power supply unit, for WC flush controls with electronic flush actuation, 12 V (from year 2022)
5.1	243.971.00.1	 Geberit power supply unit, universal, 12V for outlet mounting box (from year 2022)
5.2	244.094.00.1	 Voltage supply cable 12 V for Geberit DuoFresh module (from year 2022)
5.3	241.161.00.1	Cover for housing for electric socket
5.4	241.302.00.1	Housing for electric socket
6	245.551.00.6	 Geberit electronic lifting device for Sigma concealed cistern 12cm(2x6) - (from year 2022). Only compatible with #5 245.541.xx.6
7	245.539.00.6	 Geberit electronics module for WC flush control, automatic, Sigma12, 12 V (from year 2022)
8	242.975.11.1	Flush valve crown
9	241.303.00.1	Protection plate for WC-control Sigma10 and Mambo
10	242.871.00.1	Mounting frame for WC-control
11	242.781.SN.1	IR actuator plate for WC-control Sigma10 and Mambo
11	242.781.16.1	IR actuator plate for WC-control Sigma10 and Mambo, Matte Black Coated, Black Accent
11	242.781.DW.1	IR actuator plate for WC-control Sigma10 and Mambo, Black, Matte Black Accent
12	242.792.SN.1	Actuator plate Sigma10 for Geberit WC flush control with electronic flush actuation: stainless steel brushed/polished/brushed
13	242.782.DW.1	Black, Matte Black Accent
13	242.782.JQ.1	Matte Chrome Coated, Polished Chrome Accent
13	242.782.KH.1	Bright Chrome-Matte Chrome
13	242.782.KJ.1	White-Bright Chrome
13	242.782.KK.1	White, Gold-Plated
13	242.782.KM.1	Black-Bright Chrome
13	242.782.SN.1	White-Bright Chrome
14.1	241.478.00.1	IR window with adapter for WC-control Sigma10 and Mambo



Products marked with  comply with the American Disabilities Act (ADA) when installed per the requirements of the latest ADA Accessibility Guidelines (ADAAG) and/or ICC/ANSI A117.1.

# INSTALLATION SYSTEMS



## Replacement Parts

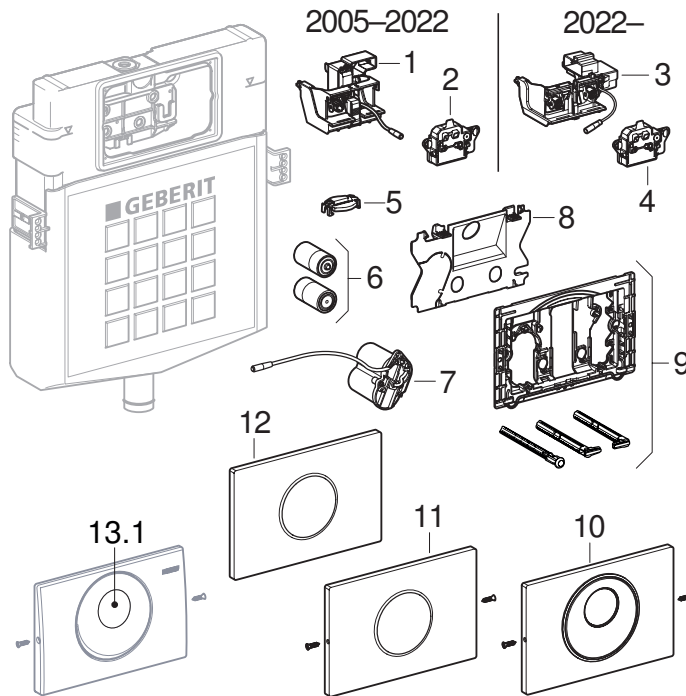
### Geberit Hands-Free Sigma10 and Mambo Actuator Battery Power for Sigma12(2x6)


115.891

115.908



Item	Model No.	Description
1	241.150.00.1	Lifting device with servo-motor for WC-control (2022 and earlier)
2	241.476.00.1	Electronic sensor for WC-control (2022 and earlier)
3	245.551.00.6	 Geberit electronic lifting device for Sigma concealed cistern 12cm(2x6) - (from year 2022). Only compatible with #10 245.539.00.6
4	245.838.00.6	 Geberit electronics module for WC flush control, automatic, Sigma12, 3 V (from year 2022)
5	242.975.11.1	Flush valve crown
6	By others	"D" cell, LR20 alkaline batteries
7	242.870.00.1	Battery housing
8	241.303.00.1	Protection plate for WC-control Sigma10 and Mambo
9	242.871.00.1	Mounting frame for WC-control
10	242.781.SN.1	IR actuator plate for WC-control Sigma10 and Mambo
10	242.781.16.1	IR actuator plate for WC-control Sigma10 and Mambo, Matte Black Coated, Black Accent
10	242.781.DW.1	IR actuator plate for WC-control Sigma10 and Mambo, Black, Matte Black Accent
11	242.792.SN.1	Actuator plate Sigma10 for Geberit WC flush control with electronic flush actuation: stainless steel brushed/polished/brushed
12	242.782.16.1	Matte Black Coated, Black Accent
12	242.782.DW.1	Black, Matte Black Accent
12	242.782.JQ.1	Matte Chrome Coated, Polished Chrome Accent
12	242.782.KH.1	Bright Chrome-Matte Chrome
12	242.782.KJ.1	White-Bright Chrome
12	242.782.KK.1	White, Gold-Plated
12	242.782.KM.1	Black-Bright Chrome
12	242.782.SN.1	Stainless Steel Brushed, Polished
13.1	241.478.00.1	IR window with adapter for WC-control Sigma10 and Mambo



Products marked with  comply with the American Disabilities Act (ADA) when installed per the requirements of the latest ADA Accessibility Guidelines (ADAAG) and/or ICC/ANSI A117.1.

# INSTALLATION SYSTEMS

## Replacement Parts

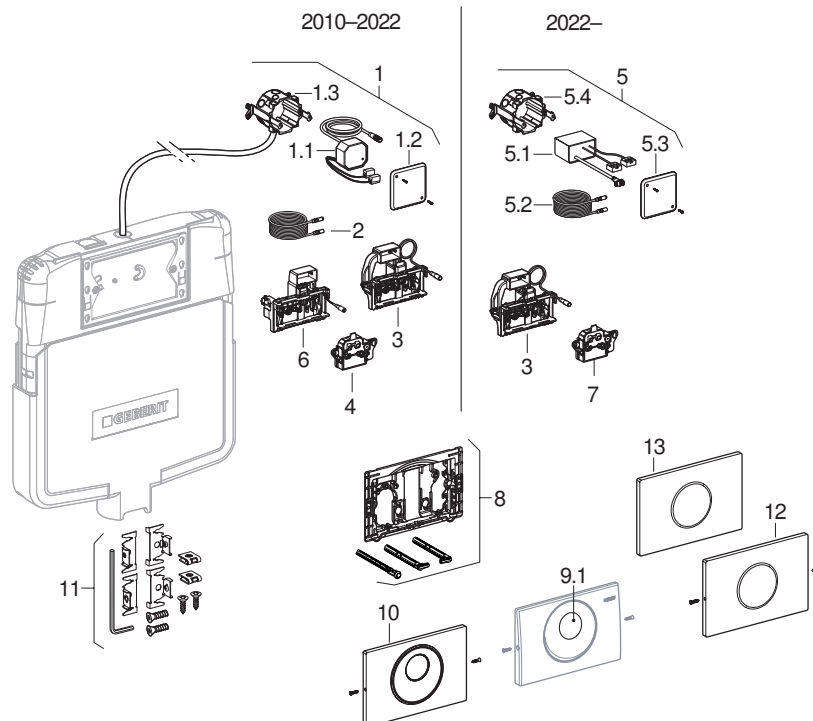
### Geberit Hands-Free Sigma10 Actuator Mains Power for Sigma8(2x4)


115.856

CR115-7



Item	Model No.	Description
1	115.861.00.1	Control installation set
1.1	241.149.00.1	Power supply unit
1.2	241.161.00.1	Cover for housing for electric socket
1.3	241.302.00.1	Housing for electric socket
2	241.831.00.1	Extension mains cable (2022 and earlier)
3	243.356.00.1	 Lifting device WC-control 2x4 (from year 2022)
4	241.476.00.1	Electronic sensor for WC-control (2022 and earlier)
5	115.861.00.6	 Geberit installation set with power supply unit, for WC flush controls with electronic flush actuation, 12 V (from year 2022)
5.1	243.971.00.1	 Geberit power supply unit, universal, 12V for outlet mounting box (from year 2022)
5.2	244.094.00.1	 Voltage supply cable 12 V for Geberit DuoFresh module (from year 2022)
5.3	241.161.00.1	Cover for housing for electric socket
5.4	241.302.00.1	Housing for electric socket
6	242.424.00.1	Lifting device WC-control, 2x4 (2016 and earlier)
7	245.540.00.6	 Geberit electronics module for WC flush control, automatic, Sigma8, 12 V (from year 2022)
8	242.871.00.1	Battery housing
9.1	241.478.00.1	IR window with adapter for WC-control Sigma10 and Mambo
10	242.781.SN.1	IR actuator plate for WC-control Sigma10 and Mambo
10	242.781.16.1	IR actuator plate for WC-control Sigma10 and Mambo, Matte Black Coated, Black Accent
10	242.781.DW.1	IR actuator plate for WC-control Sigma10 and Mambo, Black, Matte Black Accent
11	241.877.00.1	Screw for Twist, Tango, Mambo set-2
12	242.792.SN.1	Actuator plate Sigma10 for Geberit WC flush control with electronic flush actuation: stainless steel brushed/polished/brushed
13	242.782.DW.1	Black, Matte Black Accent
13	242.782.JQ.1	Matte Chrome Coated, Polished Chrome Accent
13	242.782.KH.1	Bright Chrome-Matte Chrome
13	242.782.KJ.1	White-Bright Chrome
13	242.782.KK.1	White, Gold-Plated
13	242.782.KM.1	Black-Bright Chrome
13	242.782.SN.1	Stainless Steel Brushed, Polished



Products marked with  comply with the American Disabilities Act (ADA) when installed per the requirements of the latest ADA Accessibility Guidelines (ADAAG) and/or ICC/ANSI A117.1.

# INSTALLATION SYSTEMS



## Replacement Parts

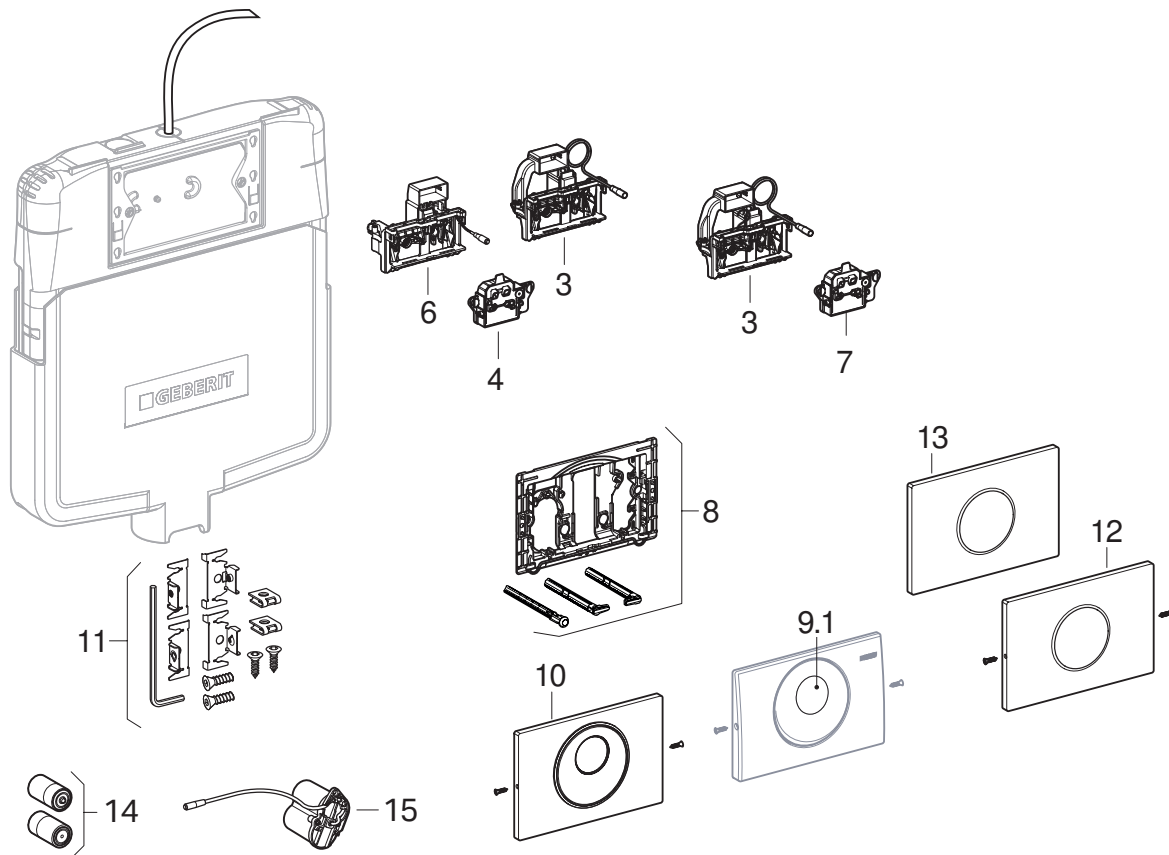
### Geberit Hands-Free Sigma10 Actuator Battery Power for Sigma8(2x4)


CR115-6

CR115-8



Item	Model No.	Description
3	243.356.00.1 	Lifting device WC-control 2x4 (from year 2022)
4	241.476.00.1	Electronic sensor for WC-control (2022 and earlier)
6	242.424.00.1	Lifting device WC-control, 2x4 (2016 and earlier)
7	245.540.00.6 	Geberit electronics module for WC flush control, automatic, Sigma8 (2016), 12 V (from year 2022)
8	242.871.00.1	Mounting frame for WC-control
9.1	241.478.00.1	IR window with adapter for WC-control Sigma10 and Mambo
10	242.781.SN.1	IR actuator plate for WC-control Sigma10 and Mambo
10	242.781.16.1	IR actuator plate for WC-control Sigma10 and Mambo, Matte Black Coated, Black Accent
10	242.781.DW.1	IR actuator plate for WC-control Sigma10 and Mambo, Black, Matte Black Accent
11	241.877.00.1	Screw for Twist, Tango, Mambo set-2. For tool-free mounting frame.
12	242.792.SN.1	Actuator plate Sigma10 for Geberit WC flush control with electronic flush actuation: stainless steel brushed/polished/brushed
13	242.782.16.1	Matte Black Coated, Black Accent
13	242.782.DW.1	Black, Matte Black Accent
13	242.782.JQ.1	Matte Chrome Coated, Polished Chrome Accent
13	242.782.KH.1	Bright Chrome-Matte Chrome
13	242.782.KJ.1	White-Bright Chrome
13	242.782.KK.1	White, Gold-Plated
13	242.782.KM.1	Black-Bright Chrome
13	242.782.SN.1	Stainless Steel Brushed, Polished
14	By others	"D" cell, LR20 alkaline batteries
15	242.870.00.1	Battery housing



Products marked with  comply with the American Disabilities Act (ADA) when installed per the requirements of the latest ADA Accessibility Guidelines (ADAAG) and/or ICC/ANSI A117.1.



# INSTALLATION SYSTEMS

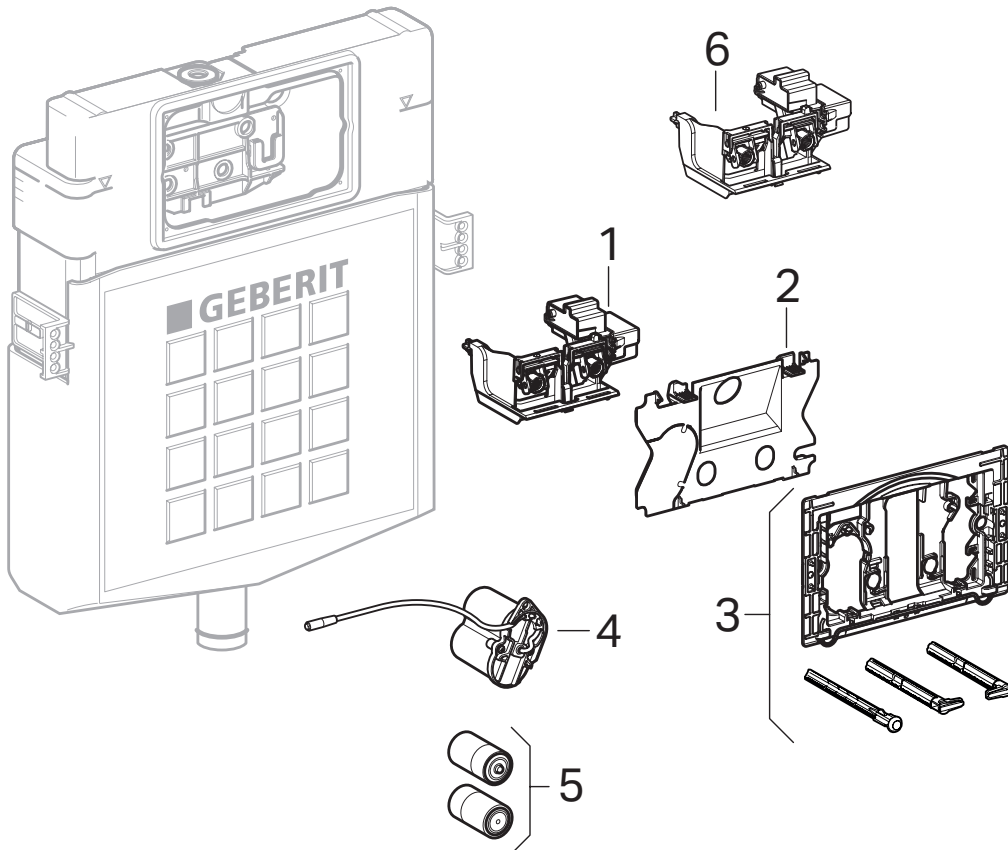
## Replacement Parts


### Sanitary Flush Units for Sigma12(2x6)

116.109 116.110



Item	Model No.	Description
1	245.548.00.6	 sFlushU intv Sig12 batt 3V
2	241.303.00.1	Protection plate for WC-control Sigma10 and Mambo
3	242.871.00.1	Mounting frame for WC-control
4	242.870.00.1	Battery housing
5	By others	"D" cell, LR20 alkaline batteries
6	116.109.00.6	



Products marked with  comply with the American Disabilities Act (ADA) when installed per the requirements of the latest ADA Accessibility Guidelines (ADAAG) and/or ICC/ANSI A117.1.






# INSTALLATION SYSTEMS

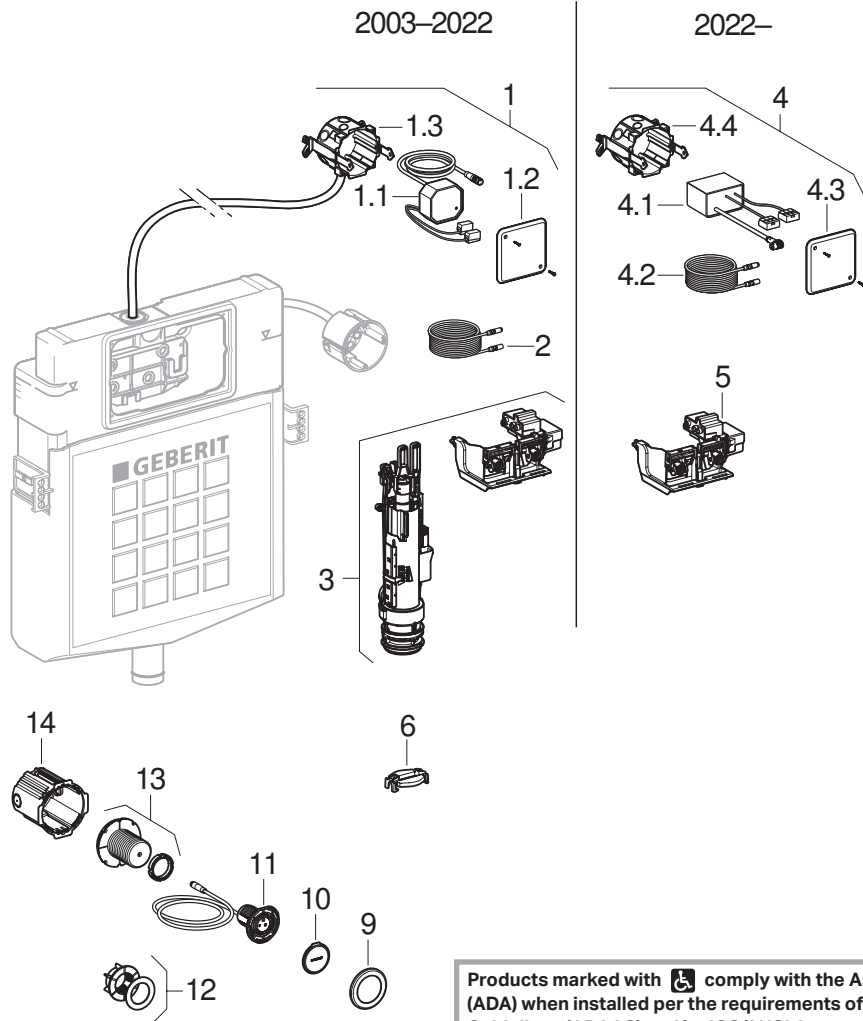
## Replacement Parts


### Geberit Type 10 IR remote button and Electrical Push-Button Lifter Mains Power for Sigma12(2x6)

115.936 115.862



Item	Model No.	Description
1	115.861.00.1	Control installation set (2022 and earlier)
1.1	241.149.00.1	Power supply unit (2022 and earlier)
1.2	241.161.00.1	Cover for housing for electric socket
1.3	241.302.00.1	Housing for electric socket
2	241.831.00.1	Extension mains cable (2022 and earlier)
3	245.545.00.6	 Lifting device/control unit for push-button 3-4.1V Sigma12 (from year 2022)
4	115.861.00.6	 Control installation set (from year 2022)
4.1	243.971.00.1	 Geberit power supply unit, universal, 12V for outlet mounting box (from year 2022)
4.2	244.094.00.1	 Voltage supply cable 12 V for Geberit DuoFresh module (from year 2022)
4.3	241.161.00.1	Cover for housing for electric socket
4.4	241.302.00.1	Housing for electric socket
5	245.546.00.6	 Lifting device/control Unit for push-button mains Sigma12 (from year 2022)
6	242.975.11.1	Flush valve crown
9	245.553.SN.1	collr IR-b type 10
9	245.553.14.1	collr IR-b type 10 Matte Black <b>NEW!</b>
10	245.554.00.1	IR window f/IR-b type 10
11	245.552.00.1	Geberit Type 10 IR button
12	245.556.00.1	nut f/IR-b type 10
13	245.557.00.1	Geberit adapter, oval opening
14	245.555.00.1	C/housing f/IR-b type 10

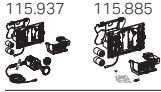



Products marked with  comply with the American Disabilities Act (ADA) when installed per the requirements of the latest ADA Accessibility Guidelines (ADAAG) and/or ICC/ANSI A117.1.

# INSTALLATION SYSTEMS

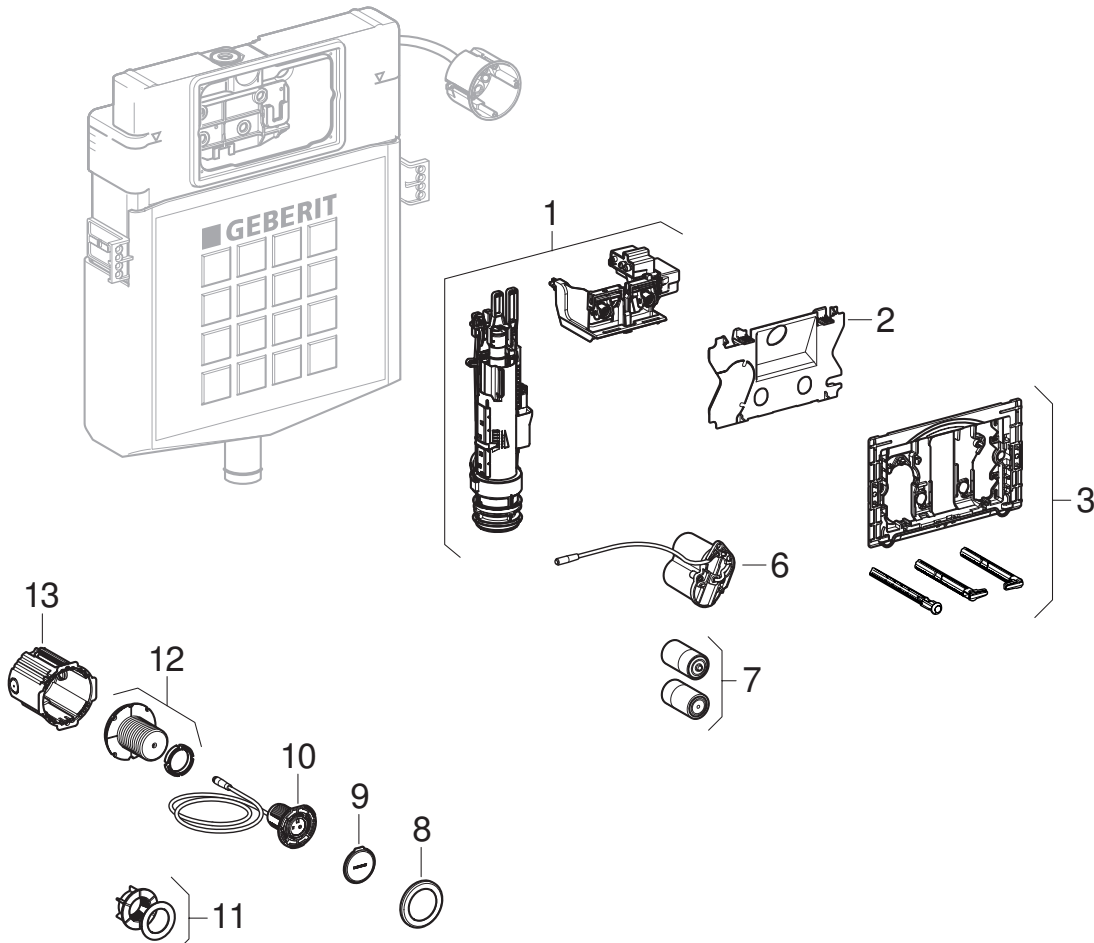
## Replacement Parts


Geberit Type 10 IR remote button and Electrical Push-Button Lifter Battery Power for Sigma12(2x6) 



Item	Model No.	Description
1	245.545.00.6	 Lifting device/control unit for push-button 3-4.1V Sigma12 (from year 2022)
2	241.303.00.1	Protection plate for WC-control Sigma10 and Mambo
3	242.871.00.1	Mounting frame for WC-control
6	242.870.00.1	Battery housing
7	7	By others "D" cell, LR20 alkaline batteries
8	245.553.SN.1	collr IR-b type 10
8	245.553.14.1	collr IR-b type 10 Matte Black <b>NEW!</b>
9	245.554.00.1	IR window f/IR-b type 10
10	245.552.00.1	Geberit Type 10 IR button
11	245.556.00.1	nut f/IR-b type 10
12	245.557.00.1	Geberit adapter, oval opening
13	245.555.00.1	C/housing f/IR-b type 10

Replacement Parts



Products marked with  comply with the American Disabilities Act (ADA) when installed per the requirements of the latest ADA Accessibility Guidelines (ADAAG) and/or ICC/ANSI A117.1.





# INSTALLATION SYSTEMS

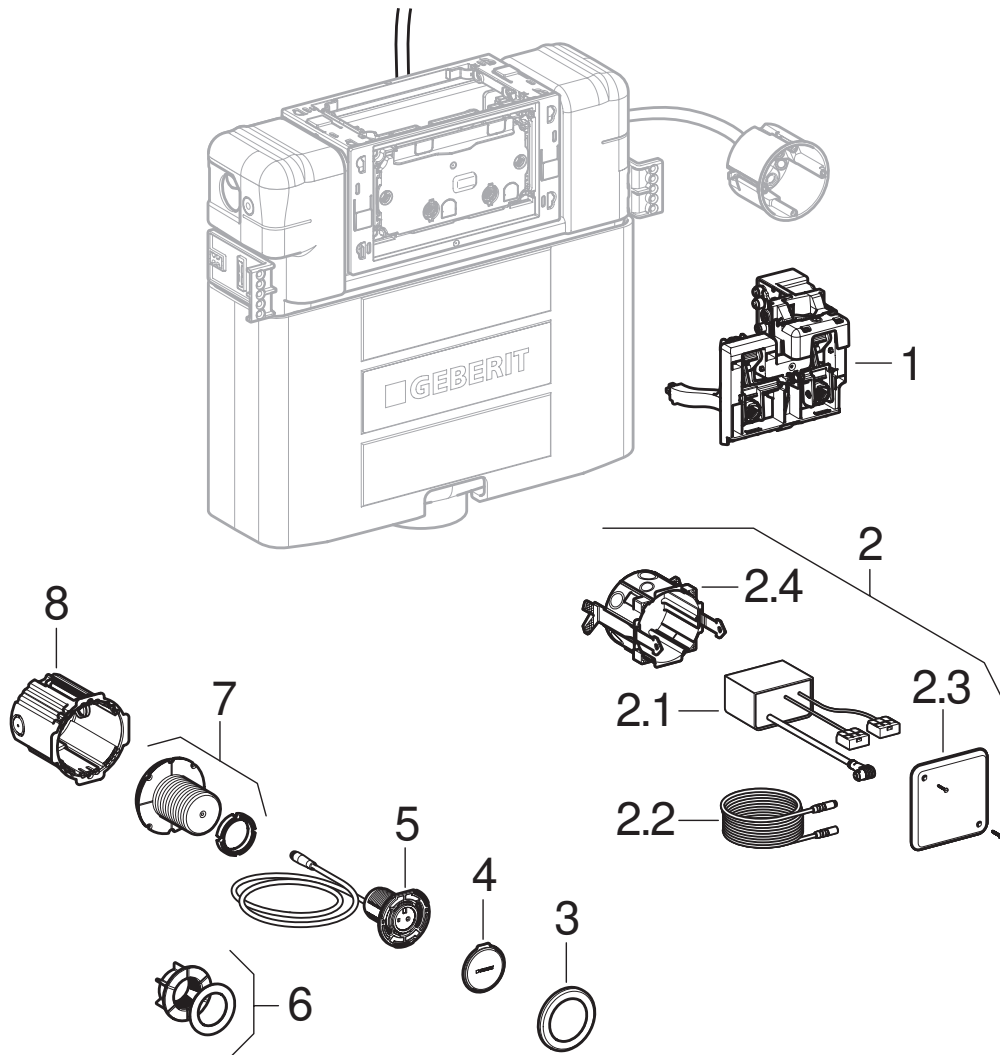
## Replacement Parts


### Geberit Type10 IR remote button and Electrical Push-Button Lifter Mains Power for Omega12(2x6)

115.956 115.955



Item	Model No.	Description
1	245.547.00.6	 lifting dev/cntrU f/push-b mains Om12 (from year 2022)
2	115.861.00.6	 Control installation set (from year 2022)
2.1	243.971.00.1	 Geberit power supply unit, universal, 12V for outlet mounting box (from year 2022)
2.2	244.094.00.1	 Voltage supply cable 12 V for Geberit DuoFresh module (from year 2022)
2.3	241.161.00.1	Cover for housing for electric socket
2.4	241.302.00.1	Housing for electric socket
3	245.553.SN.1	collr IR-b type 10
3	245.553.14.1	collr IR-b type 10 Matte Black <b>NEW!</b>
4	245.554.00.1	IR window f/IR-b type 10
5	245.552.00.1	Geberit Type 10 IR button
6	245.556.00.1	nut f/IR-b type 10
7	245.557.00.1	Geberit adapter, oval opening
8	245.555.00.1	C/housing f/IR-b type 10



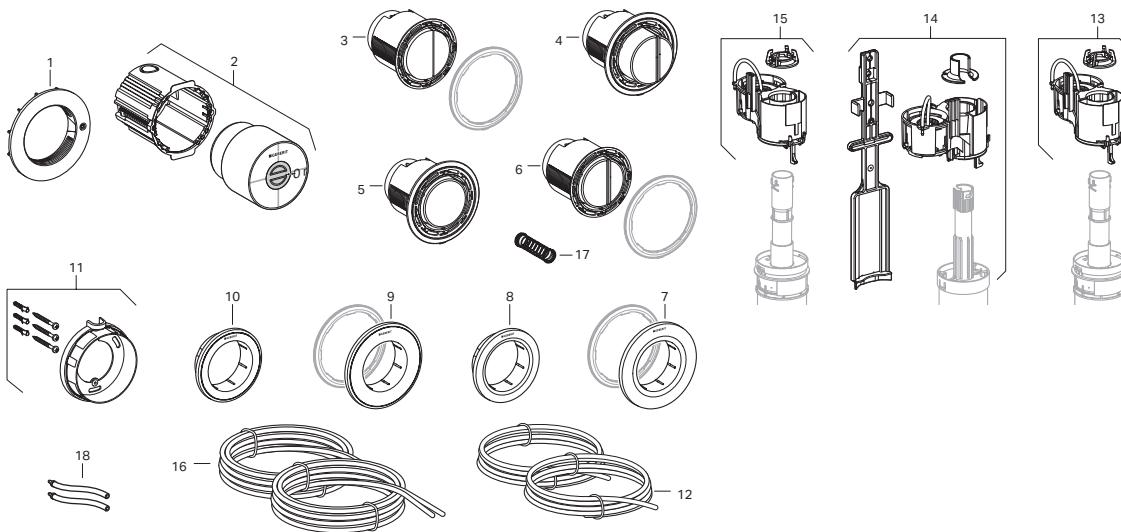
Products marked with  comply with the American Disabilities Act (ADA) when installed per the requirements of the latest ADA Accessibility Guidelines (ADAAG) and/or ICC/ANSI A117.1.


# INSTALLATION SYSTEMS

## Replacement Parts

### Geberit Type 01 and Type 10 Remote Push Button Actuators

Item	Model No.	Description
116.040 116.041 116.042 116.043 116.044 116.045 116.050 116.055 116.056 116.057		Actuator Dimensions: Type 01 and Type 10 Concealed Installation: 3.7" (9.4 cm) dia. Furniture Installation: 3.94" (10 cm) dia.
1	242.939.00.1	Nut remote control for furniture
2	243.130.00.1	Concealed housing w/ protection cover
3	243.398.KH.1	Actuator protruding Type 10 dual flush Matte Chrome
3	243.398.KK.1	Actuator protruding Type 10 dual flush Alpine White
3	242.398.KM.1	Actuator protruding Type 10 dual flush, Black
3	242.398.16.1	Actuator protruding Type 10 dual flush, Matte Black
4	243.396.11.1	Actuator protruding Type 01 dual flush Polished Chrome/White
5	243.395.11.1	Actuator Type 01 pneumatic single flush, Alpine White
5	243.395.21.1	Actuator Type 01 pneumatic single flush, Bright Chrome
6	243.397.11.1	Actuator Type 01 pneumatic dual flush, Alpine White
6	243.397.21.1	Actuator Type 01 pneumatic dual flush, Bright Chrome
6	243.397.JQ.1	Actuator Type 01 pneumatic dual flush, Matte Chrome
7	242.961.11.1	Collar for Type 01 for concealed actuator, Alpine White
7	242.961.21.1	Collar for Type 01 for concealed actuator, Bright Chrome
7	242.961.JQ.1	Collar for Type 01 for concealed actuator, Matte Chrome
8	242.962.11.1	Collar for Type 01 furniture actuator, Alpine White
8	242.962.21.1	Collar for Type 01 furniture actuator, Bright Chrome
8	242.962.JQ.1	Collar for Type 01 furniture actuator, Matte Chrome
9	242.963.KH.1	Collar for Type 10 for concealed actuator, Matte Chrome
9	242.963.KJ.1	Collar for Type 10 for concealed actuator, Polished Chrome/White
9	242.963.DW.1	Collar for Type 10 for concealed actuator, Black
9	242.963.16.1	Collar for Type 10 for concealed actuator, Matte Black
10	242.964.KH.1	Collar for Type 10 furniture actuator, Matte Chrome
10	242.964.KJ.1	Collar for Type 10 furniture actuator, Polished Chrome/White
10	242.964.16.1	Collar for Type 10 furniture actuator, Matte Black
10	242.964.DW.1	Collar for Type 10 furniture actuator, Black
11	242.965.00.1	Fastening ring for Type 01 S/M actuator
12	256.000.00.1	Pneumatic hose 3.5 m
13	240.573.00.1	Pneumatic flushing device for WC-control single flush (Sig2x6/Sig2x4)
14	242.594.00.1	Pneumatic flushing device dual for UP720/UP172 (111.728)
15	240.574.00.1	Pneumatic flushing device for WC-control dual flush (Sig2x6/Sig2x4)
16	240.575.00.1	Double pneumatic hose for dual flush 78.74" (2 m) (Blue/Clear)
17	243.703.00.1	Geberit set of compression springs for remote flush actuation types 01 and 10
18	244.601.00.1	Geberit set of adapter hoses d4-5, for remote flush actuation, pneumatic



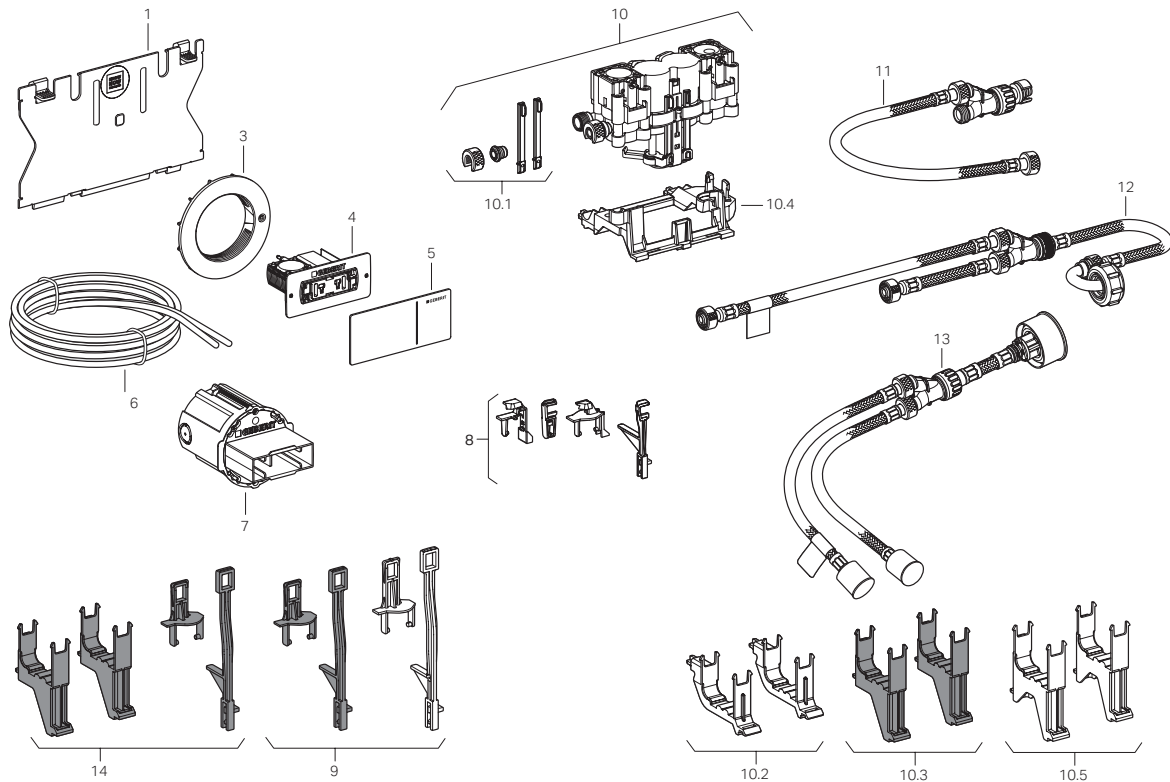
Products marked with  comply with the American Disabilities Act (ADA) when installed per the requirements of the latest ADA Accessibility Guidelines (ADAAG) and/or ICC/ANSI A117.1.

# INSTALLATION SYSTEMS

## Replacement Parts

### Geberit Type 70 Remote Dual-Flush Buttons

Item	115.630	115.635	115.084	Model No.	Description
					Actuator Dimensions: 4.4" x 1.9" (11.2 cm x 5 cm)
1				242.819.00.1	Protection plate Type 70, for 2x6 Sigma Concealed Tank
				243.084.00.1	Protection plate Type 70, for 2x4 Sigma Concealed Tank
3	3	3		242.939.00.1	Nut remote control for furniture installations
4	4	4		242.956.00.1	Ready-to-fit set remote flush actuation Type 70
5	5	5		242.957.FW.1	Remote flush actuation Type 70 Stainless Steel
				242.957.JK.1	Remote flush actuation Type 70, Lava Glass
				242.957.JL.1	Remote flush actuation Type 70, Grey Sand Glass
				242.957.SI.1	Remote flush actuation Type 70 White Glass
				242.957.SJ.1	Remote flush actuation Type 70 Black Glass
6	6	6		243.297.00.1	Double pneumatic hose for dual-flush 2 m (Green/Clear)
7	7	7		242.949.00.1	Installation set remote flush actuation Type 70
8		8		242.825.00.1	Conversion set flush valve for 2x6 Sigma/Omega Concealed Tank
		9		242.826.00.1	Conversion set flush valve for 2x4 Sigma Concealed Tank
10	10	10		242.820.00.1	Hydraulic flushing device, 1-6 bar (15-87 psi)
				243.461.00.1	Hydraulic flushing device, 1-3 bar (15-44 psi). Optional replacement for low pressure service
10.1	10.1	10.1		242.822.00.1	Spare parts set for hydraulic lifter
10.2				243.170.00.1	Support block hydraulic servo lifter for 2x6 Sigma Concealed Tank
	10.3			243.171.00.1	Support block hydraulic servo lifter for 2x4 Sigma Concealed Tank (up to year of manufacture 2015, model 111.728.00.1 UP720)
		10.4		243.169.00.1	Support block hydraulic servo lifter for 2x6 Omega Concealed Tank
		10.5		243.347.00.1	Support block hydraulic servo lifter for 2x4 Sigma Concealed Tank (2016 version)
11				242.824.00.1	Connection hose complete for Type 70, for 2x6 Sigma Concealed Tank
	12			242.823.00.1	Connection hose complete for Type 70, for 2x4 Sigma Concealed Tank
		13		242.958.00.1	Connection hose complete for Type 70, for 2x6 Omega Concealed Tank
14				245.473.00.1	Conversion set for hydraulic servo lifter, for Sigma concealed tank 8 cm/2x4 (up to year of manufacture 2015, model 111.728.00.1 UP720)



# INSTALLATION SYSTEMS

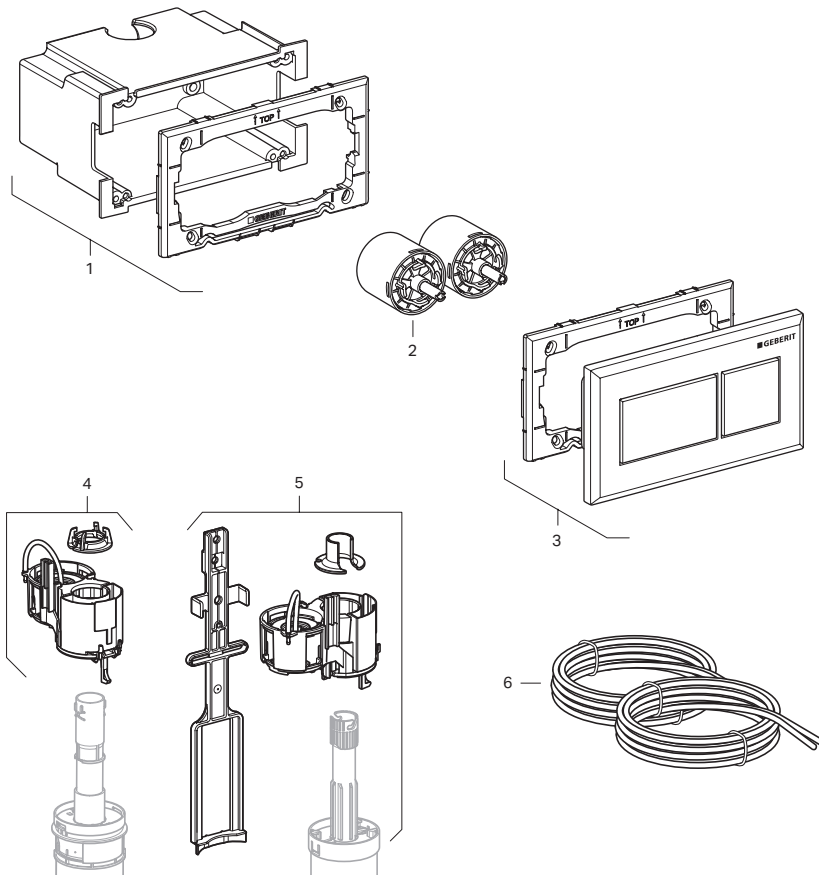
## Replacement Parts


### Geberit Rectangular Remote Push Button Actuators

115.932 115.934 Actuator Dimensions: 5.06" x 2.91" (12.9 cm x 7.4 cm)  
 116.051 116.052  
 116.053 116.054



Item		Model No.	Description
1	1	244.505.00.1	Installation set for remote flush actuation, rectangle design, pneumatic
2	2	244.501.00.1	Pneumatic cylinder set for remote flush actuation, rectangle design, pneumatic (2 pc.)
3		242.849.GH.1	Actuator for remote flush actuation, rectangle design, pneumatic: Chrome-Plated, Brushed; Chrome-Plated, Brushed
3		242.849.KA.1	Actuator for remote flush actuation, rectangle design, pneumatic: Bright Chrome-Plated; Chrome-Plated, Brushed
3		242.849.KV.1	Actuator for remote flush actuation, rectangle design, pneumatic: Black, High-Gloss; Chrome-Plated, Brushed
	3	244.504.21.1	Actuator for remote flush actuation, rectangle design, pneumatic, protruding: bright Chrome-Plated
4	4	240.574.00.1	Pneumatic lifter, dual-flush
5	5	242.594.00.1	Pneumatic flushing device single-flush UP720, carrier model 111.728
6	6	240.575.00.1	Dual pneumatic air hose



Products marked with  comply with the American Disabilities Act (ADA) when installed per the requirements of the latest ADA Accessibility Guidelines (ADAAG) and/or ICC/ANSI A117.1.

# INSTALLATION SYSTEMS

## Replacement Parts

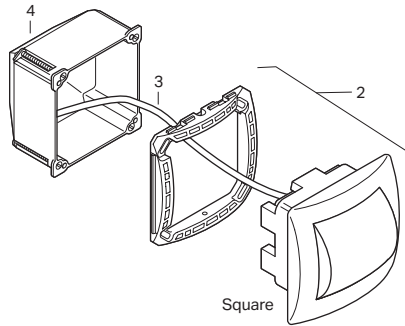
### INACTIVE Geberit Square Remote Push Button Actuators

115.941/ 115.942 115.991 Actuator Dimensions: 4.25" x 4.25" (10.8 cm x 10.8 cm)  
115.946

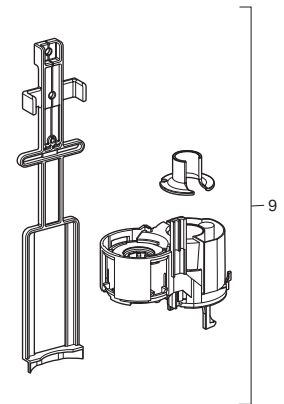
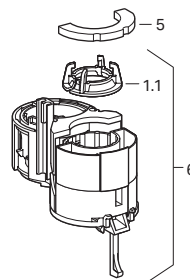
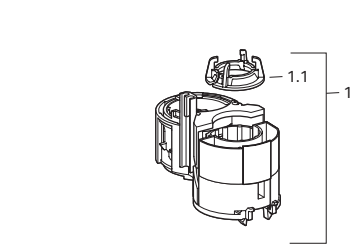
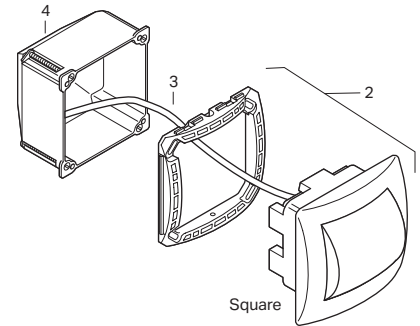
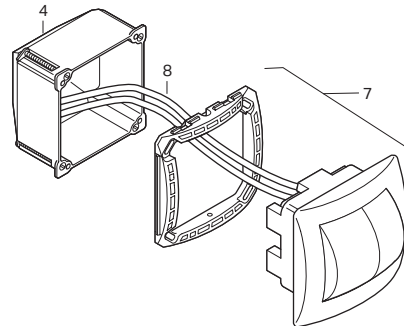


Item		Model No.	Description
1		240.573.00.1	Pneumatic flushing device for WC flush control single
1.1	1.1	880.328.11.1	Lifter flange dual-flush valve system
2	2	240.571.11.1	Wall mount actuator for pneumatic single-flush for WC flush control, Alpine White
2	2	240.571.KA.1	Wall mount actuator for pneumatic single-flush for WC flush control, Matte Chrome
3	3	256.000.00.1	Pneumatic hose
4	4	240.582.00.1	Concealed housing
	5	242.401.00.1	Brass weight for WC flush control pneumatic dual-flush
	6	240.574.00.1	Pneumatic flushing device for WC flush control dual-flush
	7	240.572.11.1	Wall mount actuator for pneumatic dual-flush for WC flush control, Alpine White
		240.572.KA.1	Wall mount actuator for pneumatic dual-flush for WC flush control, Matte Chrome
	8	240.575.00.1	Double pneumatic hose for dual-flush (Blue/Clear)
	9	242.594.00.1	Pneumatic flushing device single-flush UP720, carrier model 111.728
10		240.004.00.1	Conversion set for single flush valves 1985 - 1998

#### 115.941, 115.946 (Sigma 2x6 or Omega 2x6)



#### 115.942 (Sigma 2x6 or Omega 2x6)



# INSTALLATION SYSTEMS

## Replacement Parts

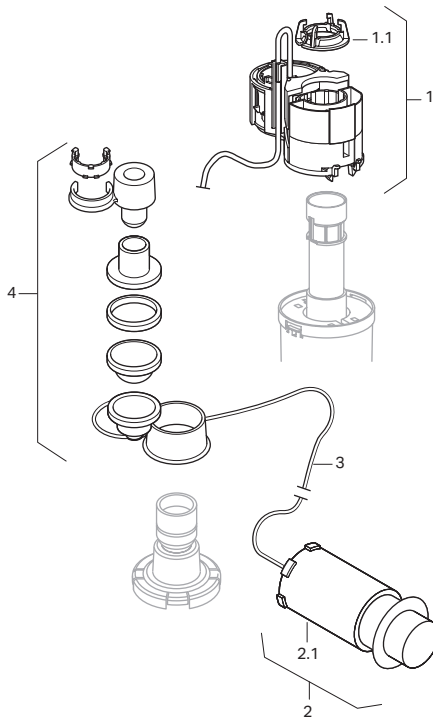
### INACTIVE Geberit Round Remote Push Button Actuators

115.114 115.992 115.999 Actuator Dimensions: Round Single-Flush 2.5" (6.4 cm) dia., Round Dual-Flush 2.44" (6.2 cm) dia., Halfmoon 3.25" (8 cm) dia.

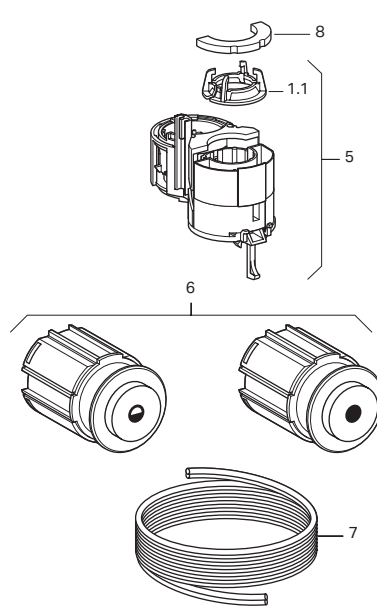


Item	Model No.	Description
1	240.573.00.1	Pneumatic flushing device for WC-control single-flush. From 1999
1.1	880.328.11.1	Lifter flange dual-flush valve system
2	241.199.11.1	Wall mount manual actuator pneumatic single-flush
	241.199.21.1	Wall mount manual actuator pneumatic single-flush
2.1	240.794.00.1	Bellows to pneumatic actuator
3	256.000.00.1	Pneumatic hose
4	240.004.00.1	Conversion set for single flush valves 1985 - 1998
	240.574.00.1	Pneumatic flushing device for WC-control dual-flush
	242.380.21.1	Actuator WC-control pneumatic dual-flush set
	240.575.00.1	Double pneumatic hose for dual-flush (Blue/Clear)
	242.401.00.1	Brass weight 28.5g for WC-control pneumatic dual-flush
	241.413.21.1	Wall mount manual actuator, pneumatic dual-flush for WC flush control
	242.548.00.1	Collar for wall mount actuator WC flush control

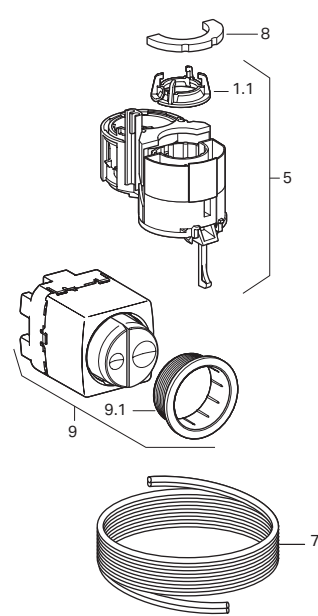
#### 115.114 (Sigma 2x6 or Omega 2x6)



#### 115.992 (Sigma 2x6 or Omega 2x6)



#### 115.999 (Sigma 2x6 or Omega 2x6)

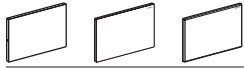


# INSTALLATION SYSTEMS

## Replacement Parts

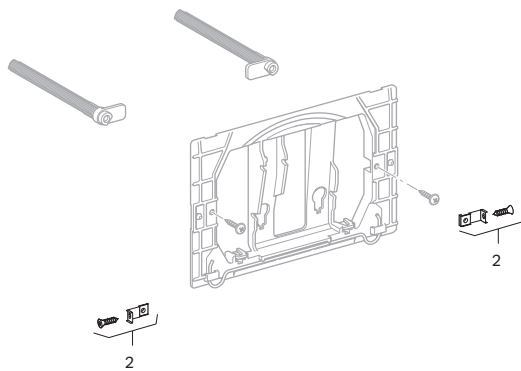
### Geberit Cover Plates, Sigma for Use with Flush Buttons

115.764 115.766 115.768 Actuator Dimensions: 9.7" x 6.5" (24.6 cm x 16.4 cm)

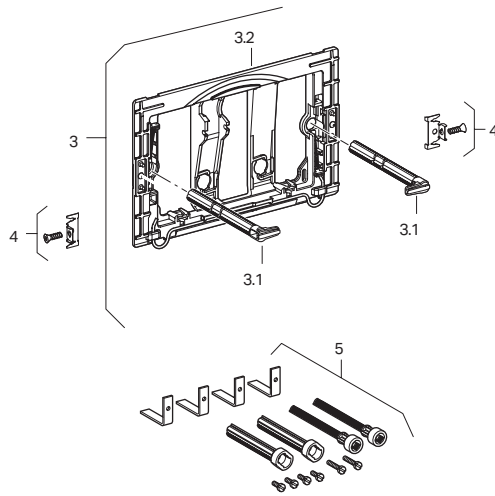


Item	Model No.	Description
2	2	241.093.00.1 Fastening for cover plate UP300 set-2
3	3	241.873.00.1 Conversion set for tool-free installation
3.1	3.1	241.874.00.1 Actuator rod set mount w/o tool (From 2008)
3.2	3.2	241.876.00.1 Mounting frame tool-free (From 2008)
4	4	241.877.00.1 Screw for Twist, Tango, Mambo set-2. For tool-free mounting frame.
5	5	240.938.00.1 Extension set for C/C UP200/UP300

< 2008



> 2008

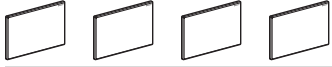


# INSTALLATION SYSTEMS

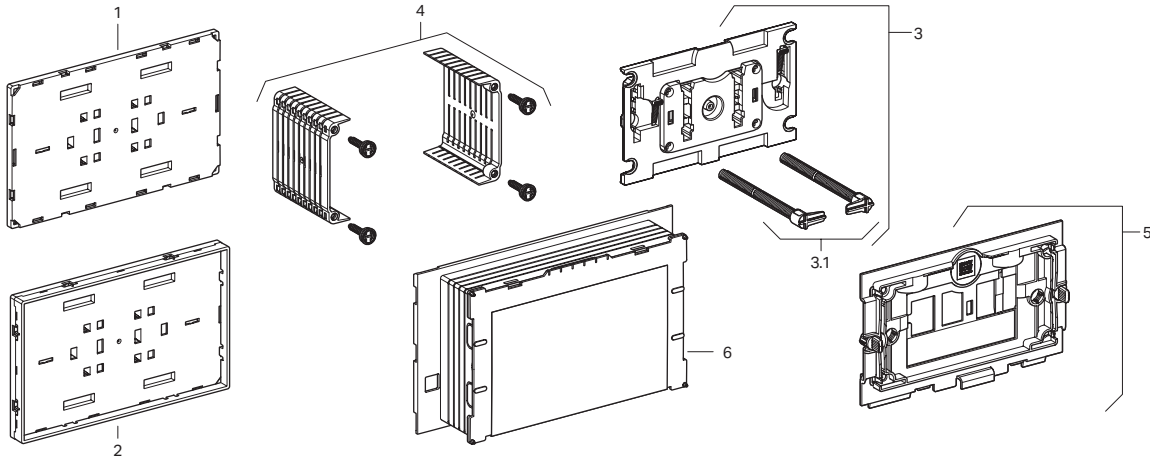
## Replacement Parts

### Geberit Cover Plates, Sigma, Surface-Even

115.696 115.697 115.698 115.699



Item		Model No.	Description
1	1	243.303.00.1	Support plate Sigma
	2	243.307.21.1	Support plate Sigma with sight frame
3	3	243.301.00.1	Mechanism plate
3.1	3.1	242.588.00.1	Actuator rod set for Omega and Sigma60
4	4	243.110.00.1	Distance element Omega60 set-2
5	5	243.304.00.1	Adapter plate Sigma surface even cover plate
	6	243.168.00.1	Rough install set surface even C/C for Sigma 12 cm
7		CR115-6111	White, Matte White Accent
7		CR115-6161	Matte Black Coated, Black Accent
7		CR115-6FW1	Brushed Stainless Steel

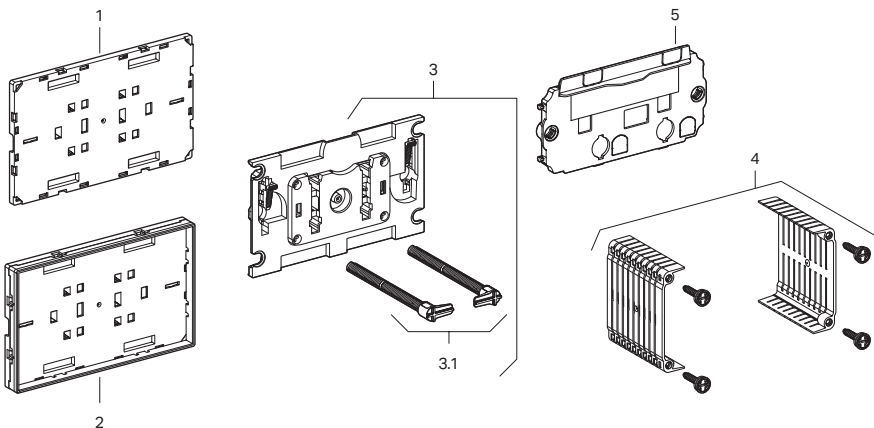


### Geberit Cover Plates, Omega, Surface-Even

115.087 115.088



Item	Model No.	Description	
1	243.299.00.1	Support plate Omega	
	2	243.306.21.1	Support plate Omega with sight frame
3	243.301.00.1	Mechanism plate	
3.1	242.588.00.1	Actuator rod set for Omega and Sigma60	
4	243.110.00.1	Distance element Omega60 set-2	
5	243.302.00.1	Protection plate for Omega cover plate, surface even	

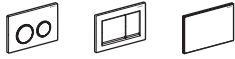


# INSTALLATION SYSTEMS

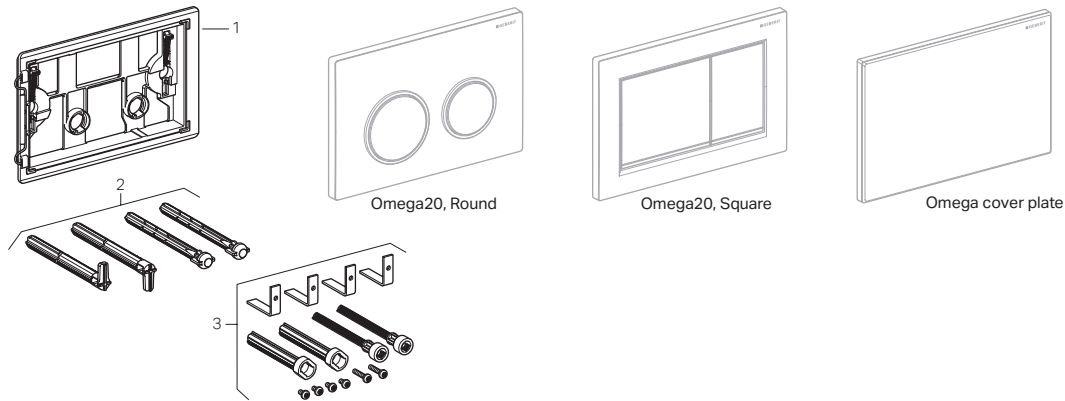
## Replacement Parts

### Geberit Omega20 Actuators

115.085 115.080 115.082 Actuator Dimensions: 8.3" x 5.6" (21.2 cm x 14.2 cm)



Item	Model No.	Description
1	243.108.00.1	Mounting frame Omega
2	242.588.00.1	Rod set to Omega and Sigma60
3	240.938.00.1	Extension set for actuator plates for Sigma Concealed Tanks 2x6 and 2x4, Kappa and Omega Concealed Tanks

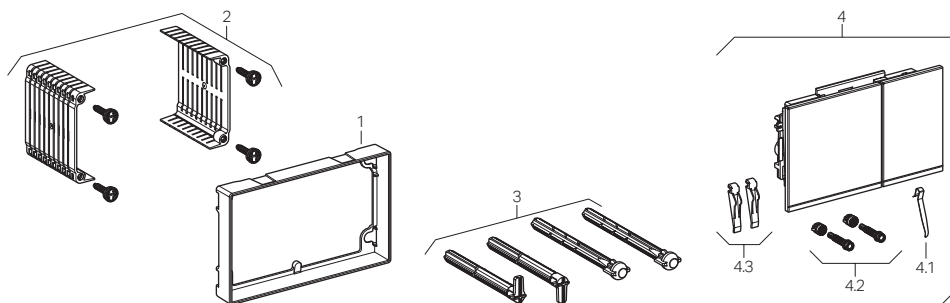



### Geberit Omega60 Actuators

115.081 Actuator Dimensions: 7.2" x 4.5" (18.4 cm x 11.4 cm), 8.2"x5.5" (20.9 cm x 13.9 cm with frame)



Item	Model No.	Description
1	243.109.00.1	Compensation frame Omega60
2	243.110.00.1	Distance element Omega60 set-2
3	242.588.00.1	Rod set to Omega and Sigma60
4	243.118.GH.1	Actuator plate Omega60, Brushed Chrome
4	243.118.JK.1	Actuator plate Omega60, Lava Glass
4	243.118.JL.1	Actuator plate Omega60, Grey Sand Glass
4	243.118.SI.1	Actuator plate Omega60, White Glass
4	243.118.SJ.1	Actuator plate Omega60, Black Glass
4.1	813.514.00.1	Spring for actuator plate
4.2	242.920.00.1	Stopper pin for Omega60/Sigma60 set-2
4.3	243.294.00.1	Rocker plate for Omega60/Sigma60 set-2



Products marked with  comply with the American Disabilities Act (ADA) when installed per the requirements of the latest ADA Accessibility Guidelines (ADAAG) and/or ICC/ANSI A117.1.

# INSTALLATION SYSTEMS

## Replacement Parts

### INACTIVE Geberit Kappa Actuators

115.228 115.258 115.260 115.680 Actuator Dimensions: 8.3" x 5.6" (21.2 cm x 14.2 cm)

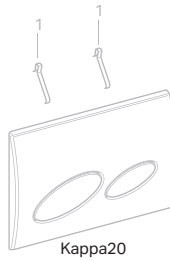


Item	Model No.	Description
1	241.295.00.1	Spring for actuator plate, 10 pcs
2	240.639.00.1	Actuator lever rod set for Kappa Concealed Tank
3	240.646.00.1	Mounting frame for Kappa Concealed Tank/Artline
4	240.938.00.1	Extension set for actuator plates for Sigma Concealed Tanks 2x6 and 2x4, Kappa and Omega Concealed Tanks

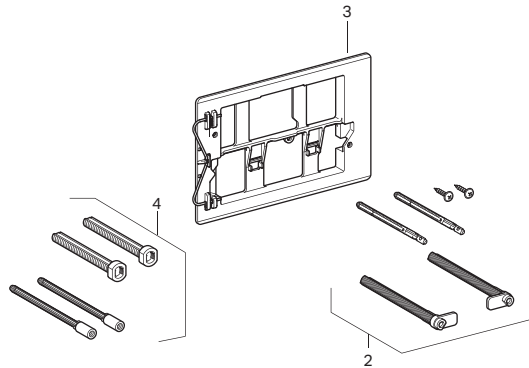
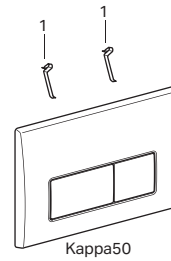
#### 115.680



#### 115.228



#### 115.258/115.260




### Complete Units

Style	Material	Finish	Model No.
Kappa50	Stainless	Brushed Stainless Steel	115.258.00.1
Kappa50	Zinc	Alpine White	115.260.11.1
		Polished Chrome	115.260.21.1
		Matte Chrome	115.260.46.1

### Cover Plates for Kappa Concealed Tank Pre-wall, 2x6 Installation for use with Flush Buttons

Material	Finish	Model No.
Plastic	Alpine White	115.680.11.1
	Polished Chrome	115.680.21.1

Products marked with  comply with the American Disabilities Act (ADA) when installed per the requirements of the latest ADA Accessibility Guidelines (ADAAG) and/or ICC/ANSI A117.1.

# INSTALLATION SYSTEMS

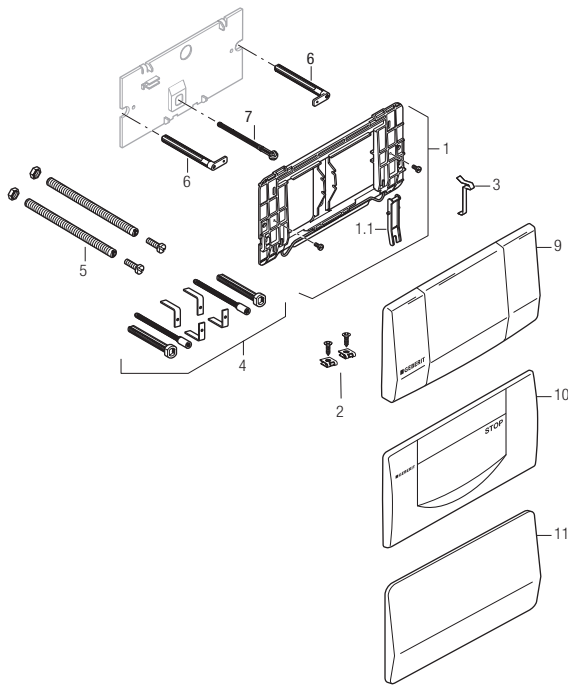
## Replacement Parts

### INACTIVE Geberit Duofix Carriers 110.816, 110.826 and 111.816

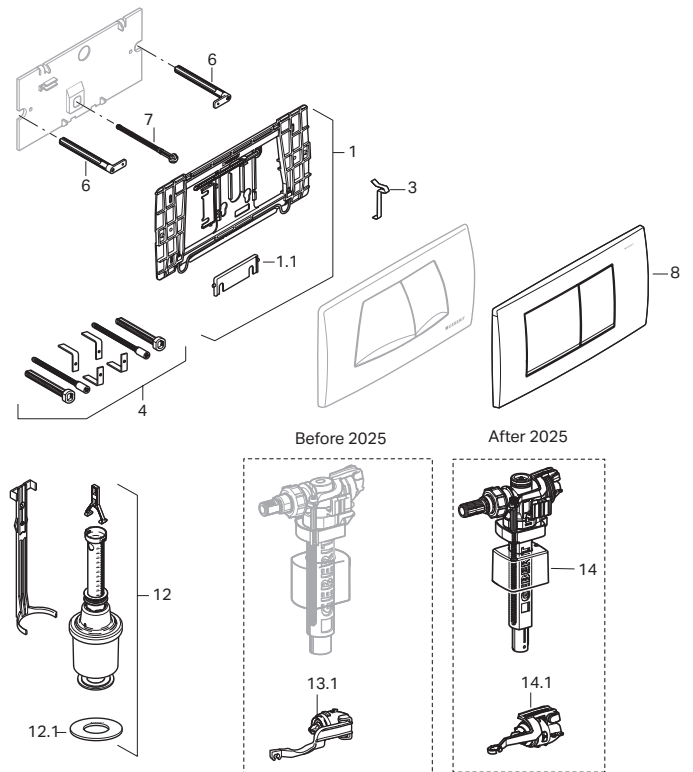



Item	Model No.	Description
1	240.513.00.1	Mounting frame for Tinline dual flush
1	240.068.00.1	Mounting Frame for Highline
1.1	240.066.00.1	Stop-and-go lever for Highline and 200F
	240.514.00.1	Push rod locking piece for Tinline
2	241.877.00.1	Screw for Twist, Tango, Mambo set-2
3	813.514.00.1	Spring for actuator plate
4	240.058.00.1	Extension set for actuator flush plates
5	216.024.00.1	Threaded bolt (one pair) set
6	240.067.00.1	Actuator bolt
7	240.074.00.1	Actuator rod for Tinline, 200F, Highline
	115.899.KJ.1	White-Polished Chrome
	115.899.KH.1	Polished Chrome-Matte Chrome
	115.899.JQ.1	Matte Chrome-Polished Chrome
9	115.151.00.1	Actuator plate, Highline single flush, Brushed Stainless Steel
	115.222.11.1	Actuator plate, 200F single flush, Alpine White
	115.222.21.1	Actuator plate, 200F single flush, Bright Chrome
	115.222.46.1	Actuator plate, 200F single flush, Matte Chrome
	115.398.00.1	Cover plate Tinline dual flush, Brushed Stainless Steel
12	240.114.00.1	Flush valve universal S/G C/C
12.1	816.418.00.1	Geberit flat gasket for flush valve
13.1	240.771.00.1	Seal kit for filling valve Type 380
14	241.469.00.5	Fill Valve Type 383
14.1	245.988.00.1	Seal kit for Type 383 Fill Valve

#### 115.151 (Highline), 115.222 (200F), 115.398 (Tinline Coverplate)



#### 115.888 (Tinline Dual Flush), 115.899 (Tinline30)



Products marked with  comply with the American Disabilities Act (ADA) when installed per the requirements of the latest ADA Accessibility Guidelines (ADAAG) and/or ICC/ANSI A117.1.

# INSTALLATION SYSTEMS

## Replacement Parts

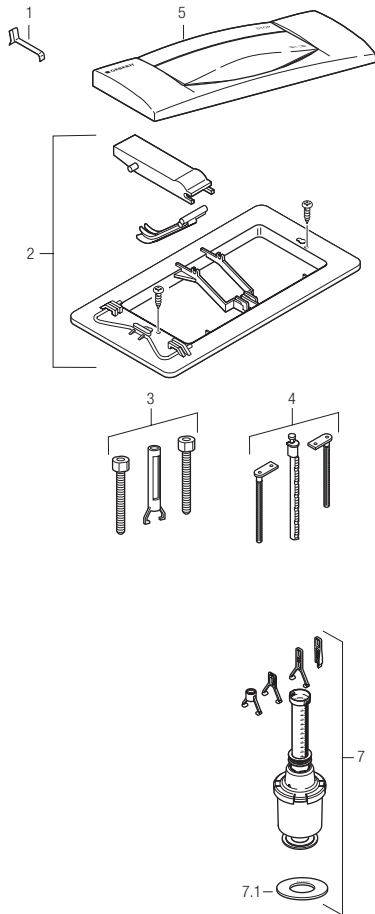
INACTIVE Geberit Duofix Carriers 110.816, 110.826 and 111.816 

115.333 115.394

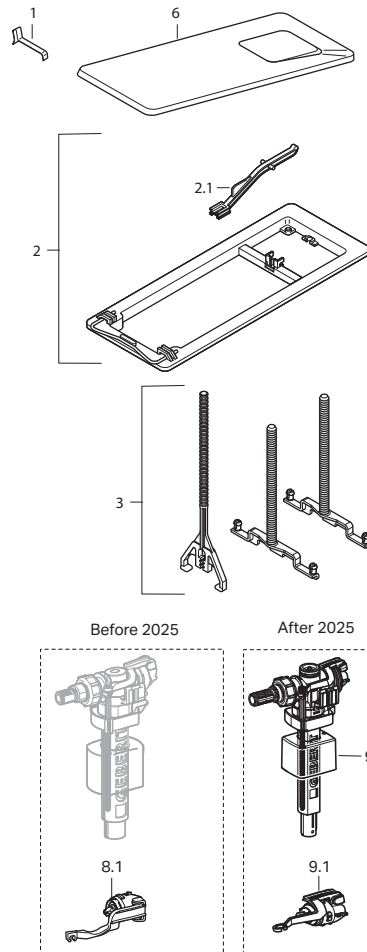



Item		Model No.	Description
1	1	813.514.00.1	Spring for actuator plate
2		240.322.00.1	Mounting frame
	2	240.041.00.1	Conversion set
	2.1	889.110.11.1	Rocker lever
3		240.180.00.1	Extension set for actuator plates 115.333/115.395 for finished wall from 3.50"-7.00" (9-18cm)
	3	240.087.00.1	Extension set for actuator plate 115.392/115.394
4		240.323.00.1	Actuator rod for 300T/115.392/115.394
5		115.333.11.1	300T Style, Alpine White
	6	115.394.11.1	Topline Style, Alpine White
7	7	240.113.00.1	Flush valve universal S/G E/C
7.1	7.1	816.418.00.1	Geberit flat gasket for flush valve
8.1	8.1	240.771.00.1	Seal kit for filling valve Type 380
	9	241.469.00.5	Fill Valve Type 383
	9.1	245.988.001	Seal kit for Type 383 Fill Valve

### 115.333 (300T)



### 115.394 (Topline)



Products marked with  comply with the American Disabilities Act (ADA) when installed per the requirements of the latest ADA Accessibility Guidelines (ADAAG) and/or ICC/ANSI A117.1.

# INSTALLATION SYSTEMS

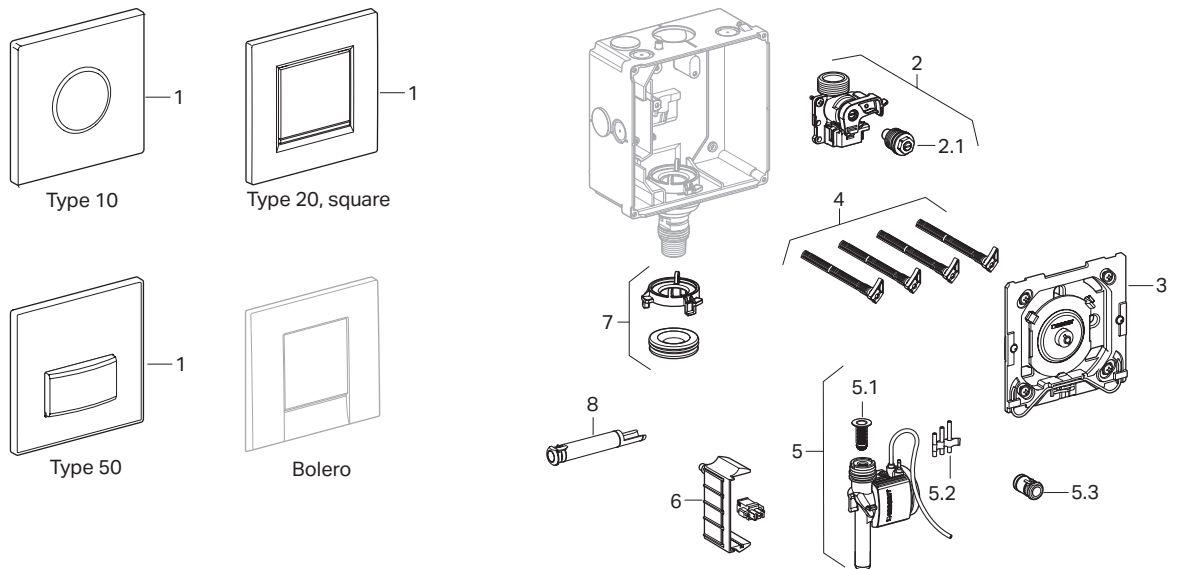
## Replacement Parts


### Geberit Type 50, Type 20 Square (ex Type 30), Type 10, Bolero and Mambo Urinal Actuators

116.015 116.017 116.016 116.012 116.013 Actuator Dimensions: 5.12" x 5.12" (13 cm x 13 cm)



Item					Model No.	Description
1				1	241.915.SN.1	Actuator plate Type 10/Mambo, Brushed Stainless Steel
1				1	241.915.16.1	Actuator plate Type 10/Mambo, Matte Black Coated, Black Accent
1				1	241.915.DW.1	Actuator plate Type 10/Mambo, Black, Matte Black Accent
	1				243.270.16.1	Actuator plate Type 20, Square, Matte Black Coated, Black Accent
	1				243.270.DW.1	Actuator plate Type 20, Square, Black, Matte Black Accent
	1				243.270.KH.1	Actuator plate Type 20, Square, Polished Chrome, Matte Chrome Accent
	1				243.270.KJ.1	Actuator plate Type 20, Square, White, Polished Chrome Accent
		1			242.764.11.1	Actuator plate Type 50, Alpine White
		1			242.764.GH.1	Actuator plate Type 50, Brushed Chrome
		1			242.764.JK.1	Remote flush actuation Type 50, Lava Glass
		1			242.764.JL.1	Remote flush actuation Type 50, Grey Sand Glass
		1			242.764.00.1	Actuator plate Type 50, Custom
2	2	2	2	2	241.934.00.1	Stop valve with throttle, complete
2.1	2.1	2.1	2.1	2.1	241.933.00.1	Regulating screw
3	3	3	3	3	241.937.00.1	Pneumatic actuator with mounting frame
4	4	4	4	4	241.931.00.1	Distance bolts, set
5	5	5	5	5	241.935.00.1	Pneumatic valve
5.1	5.1	5.1	5.1	5.1	241.932.00.1	Basket filter
5.2	5.2	5.2	5.2	5.2	241.936.00.1	Nozzle set, White
5.3	5.3	5.3	5.3	5.3	243.327.00.1	Flushing Volume Control 4 GPM (14 LPM)
6	6	6	6	6	241.947.00.1	Insulation protection with connection terminal
7	7	7	7	7	242.156.00.1	Lip seal flushing pipe
8	8	8	8	8	242.484.00.1	Flow limiter for UR-controls



Products marked with  comply with the American Disabilities Act (ADA) when installed per the requirements of the latest ADA Accessibility Guidelines (ADAAG) and/or ICC/ANSI A117.1.

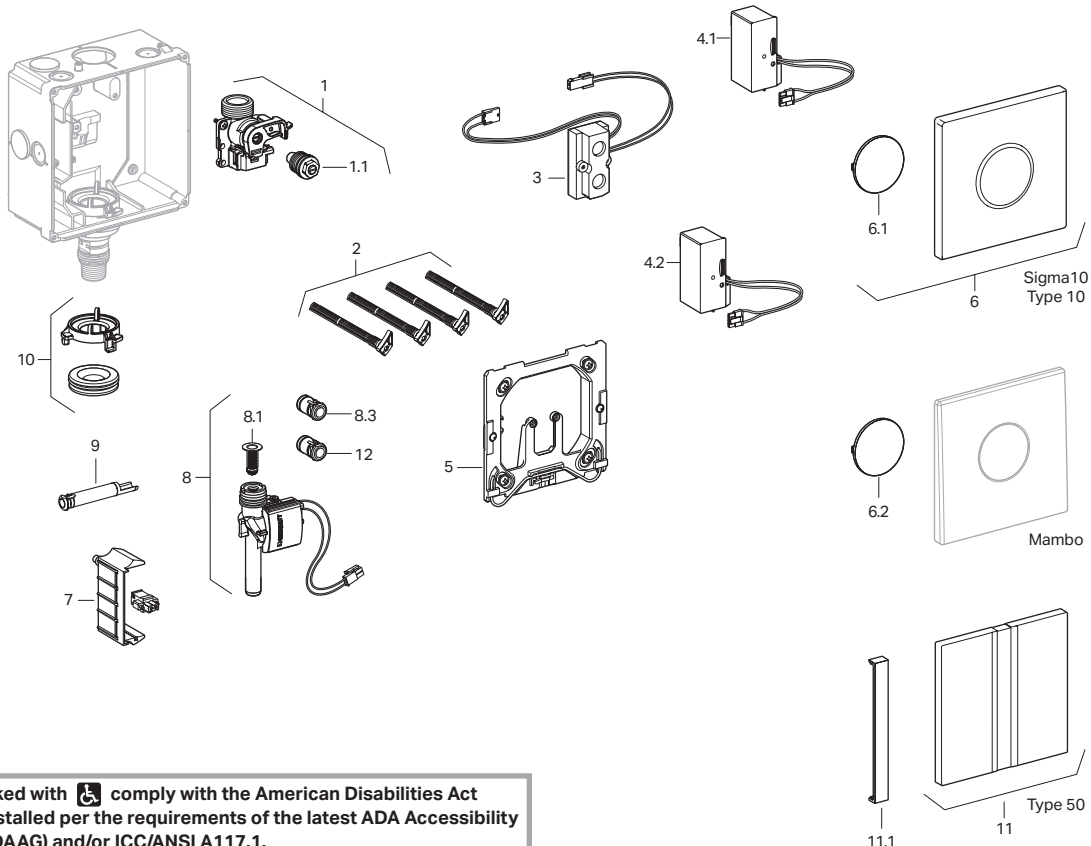
# INSTALLATION SYSTEMS


## Replacement Parts

### Geberit Hands-Free Type 10 and Mambo Urinal Actuator

116.035 116.025 116.033 116.023 116.036 116.026 116.028 116.038 Actuator Dimensions: 5.12" x 5.12" (13 cm x 13 cm)

Item	116.035	116.025	116.033	116.023	116.036	116.026	116.028	116.038	Model No.	Description
1	1	1	1	1	1	1	1	1	241.934.00.1	Stop valve with throttle, complete
1.1	1.1	1.1	1.1	1.1	1.1	1.1	1.1	1.1	241.933.00.1	Regulating screw
2	2	2	2	2	2	2	2	2	241.931.00.1	Distance bolts, set
3	3	3	3	3	3	3	3	3	241.941.00.1	Sensor electronics
4.1			4.1		4.1			4.1	241.945.00.1	Battery housing for UR-control
		4.2		4.2		4.2		4.2	241.944.00.1	Transformer for UR-control
4.3			4.3						—	2x "AA" alkaline batteries
5	5	5	5	5	5	5	5	5	241.943.00.1	Mounting frame for horizontal fixation
6	6	6	6	6					241.925.SN.1	Cover plate for UR-control Sigma10
6	6	6	6	6					241.925.16.1	Cover plate for UR-control Sigma10
6	6	6	6	6					241.925.DW.1	Cover plate for UR-control Sigma10
6.1	6.1								241.905.00.1	IR window UR-control Sigma10
		6.2	6.2						241.903.00.1	Mambo only
7	7	7	7	7	7	7	7	7	241.947.00.1	Insulation protection with connection terminal
8	8	8	8	8	8	8	8	8	241.946.00.1	Solenoid valve for UR-control
8.1	8.1	8.1	8.1	8.1	8.1	8.1	8.1	8.1	241.932.00.1	Basket filter
8.3	8.3	8.3	8.3	8.3	8.3	8.3			243.327.00.1	Flushing Volume Control 4 GPM (14 LPM)
9	9	9	9	9	9	9			242.484.00.1	Flow limiter for UR-controls
10	10	10	10	10	10	10	10	10	242.156.00.1	Lip seal flushing pipe
				11	11				241.926.GH.1	Geberit cover plate Type 50: Chrome-Brushed
				11	11				241.926.QB.1	Geberit cover plate Type 50: Red Gold-Brushed
				11	11				241.926.QD.1	Geberit cover plate Type 50: Black Chrome-Brushed
				11	11				241.926.QF.1	Geberit cover plate Type 50: Brass-Brushed
				11.1	11.1				241.906.00.1	IR window UR-control Type 50
						12	12		243.579.00.1	Flushing Volume Control 2.4 GPM (4.5 LPM)



Products marked with  comply with the American Disabilities Act (ADA) when installed per the requirements of the latest ADA Accessibility Guidelines (ADAAG) and/or ICC/ANSI A117.1.

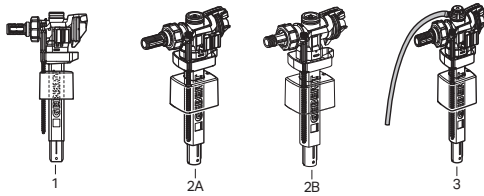
# FLUSHING SYSTEMS

## Replacement Parts

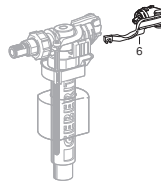
### Geberit Filling Valves Type 383, 380, 360, 34x and 330

Item	Type 383	Type 380	Type 360	Type 34x	Type 330	Model No.	Description
1						240.700.00.5	Type 383 fill valve for exposed tanks (replacement)
2A						241.469.00.5	Type 383 fill valve for concealed tanks (2x6)
2B						222.294.00.5	Type 383 fill valve for concealed tanks (2x4)
3						241.470.00.5	Type 383 fill valve for tanks w/refill (replacement)
4						245.988.00.1	Seal kit for Type 383 fill valve
5						246.177.00.1	Nipple to filling valve Type 383 for Sigma Concealed Tank 2x4
6						240.771.00.1	Seal kit for Type 380 fill valve
7						241.813.00.1	Seal kit for Type 360 fill valve
8						225.170.00.1	Set of seals for Type 34x fill valve
9						238.069.00.1	Diaphragm membrane for Type 330 fill valve

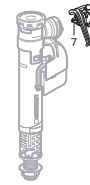
Filling Valve  
Type 383



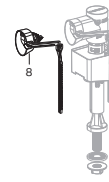
Filling Valve  
Type 380



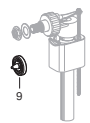
Filling Valve  
Type 360



Filling Valve  
Type 34x



Filling Valve  
Type 330



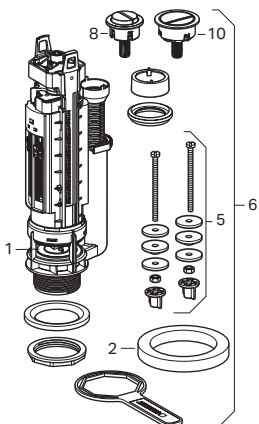
### Geberit Flushing Valves Type 290, 280 and Type 250

Item	Type 290 Dual-flush	Type 290 Single-flush	Type 280 Dual-flush	Type 280 Single-flush	Type 250* Dual-flush	Model No.	Description
1	1		1	1	1	816.418.00.1	Geberit flat gasket for flush valve
2	2		2			813.812.00.1	Gasket
			3			241.800.KD.1	Flushing valve Type 280 actuator button, dual-flush
				4		241.820.21.1	Flushing valve Type 280 actuator button, single-flush
5	5		5	5		217.869.00.1	Hardware kit
6						282.350.21.2	Flushing valve Type 290, dual-flush
6.1	6.1		6.1	6.1	6.1	243.320.00.1	Flushing Valve Type 290, dual-flush
6.2	6.2		6.2	6.2	6.2	243.321.00.1	Flushing Valve Type 290, dual-flush, L=3 inches
6.3	6.3		6.3	6.3	6.3	243.430.00.1	Flushing Valve Type 290, dual-flush, L=18 inches
7						282.050.21.2	Flushing valve Type 290, single-flush
8						243.318.21.1	Dual-flush actuator for flush valve Type 290
9						243.319.21.1	Single-flush actuator for flush valve Type 290

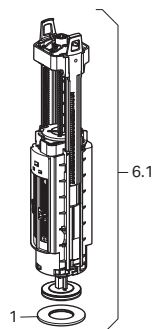
Note: Type 50 formerly called Impuls and Twico.

\* For Flushing valve Type 250, the only spare part available is item #1. If other parts are needed, a complete Flushing valve Type 290 (item #6) must be ordered.

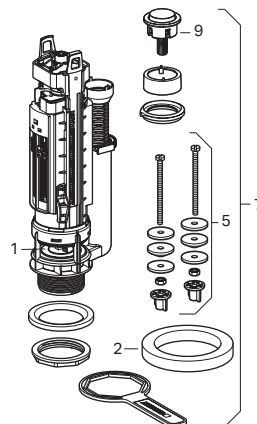
Flushing Valve Type 290  
Dual-flush



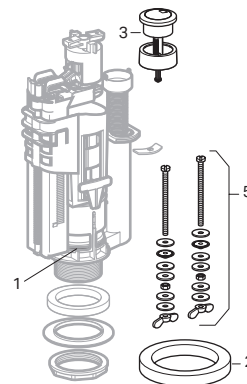
Flushing Valve Type 290  
Dual-flush



Flushing Valve Type 290  
Single-flush



Flushing Valve Type 280  
Dual-flush



# BATH WASTE AND TRAP SYSTEMS

## Replacement Parts

### Replacement Parts and Kits (See page 27 for Item drawings)

Item	Description	Model No.
1	TurnControl Overflow/Drain Service Kit	242.767.00.1
2	Brass Tee Assembly	—
3	Chicago Code Brass Tee Assembly	241.766.00.1
4	PushControl Overflow/Drain Service Kit	242.768.00.1
5	PushControl Trim Service Kits	
	Metal Polished Chrome	241.726.21.1
	ForeverShine™ PVD Brushed Nickel	241.726.ID.1
6	Plastic Polished Chrome	241.725.21.1
	Cascading Tub Filler Service Kit	242.769.00.1
7	Cascading Tub Filler Trim Service Kits	
	Metal Polished Chrome	242.776.00.1
7.1	Stream Former Kit	—
8	Vacuum Breaker WATTS Model No. LF288AC	—
9	See TurnControl Traditional Metal Handles table below	
10	See TurnControl Traditional Plastic Handles table in next column	
11	See Plunger Assemblies table in next column	
12	TurnControl Handle/Plunger Service Kit	242.777.00.1

### TurnControl Metal Handles (See page 27 for Item drawings)

Finish	Item No. 9 Traditional Model No.
Polished Chrome	240.702.21.1
Hard Coat Oil Rubbed Bronze	240.702.HM.1
ForeverShine™ PVD Polished Nickel	240.702.IB.1
ForeverShine™ PVD Brushed Nickel	240.702.ID.1

### TurnControl Plastic Handles (See page 27 for Item drawings)

Finish	Item No. 10 Traditional Model No.
Alpine White	241.628.11.1
Matte black coated	241.628.16.1
Polished Chrome	241.628.21.1
Bone	241.628.AA.1
White	241.628.DY.1
Biscuit	241.628.FF.1

### Plunger Assemblies (See page 27 for Item drawings)

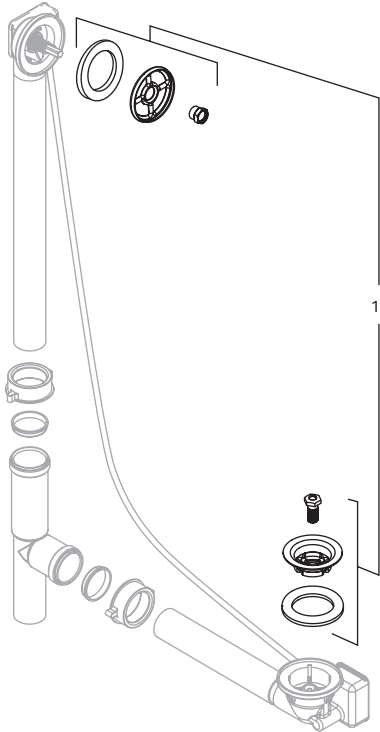
Item	Description	Model No.
11	Metal Polished Chrome	241.728.21.1
	Hard Coat Oil Rubbed Bronze	241.728.HM.1
	ForeverShine™ PVD Polished Nickel	241.728.IB.1
	ForeverShine™ PVD Brushed Nickel	241.728.ID.1
Plastic	Alpine White	241.727.11.1
	Matte black coated	241.727.16.1
	Polished Chrome	241.727.21.1
	Bone	241.727.AA.1
	White	241.727.DY.1
	Biscuit	241.727.FF.1

Note: ForeverShine™ finishes ensure the quality and look of your Geberit BWO will last a lifetime. Geberit offers a limited lifetime warranty on ForeverShine™ products installed in residential applications.

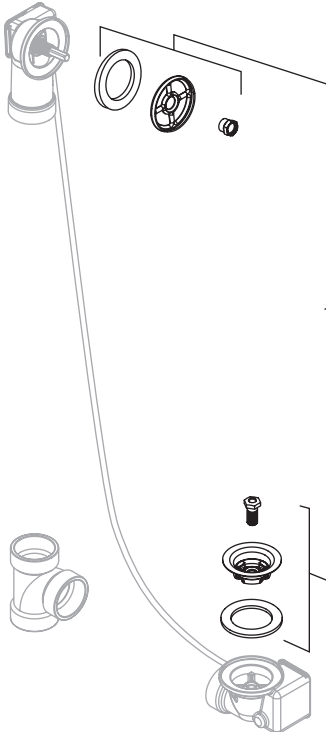
# BATH WASTE AND TRAP SYSTEMS

## Replacement Parts

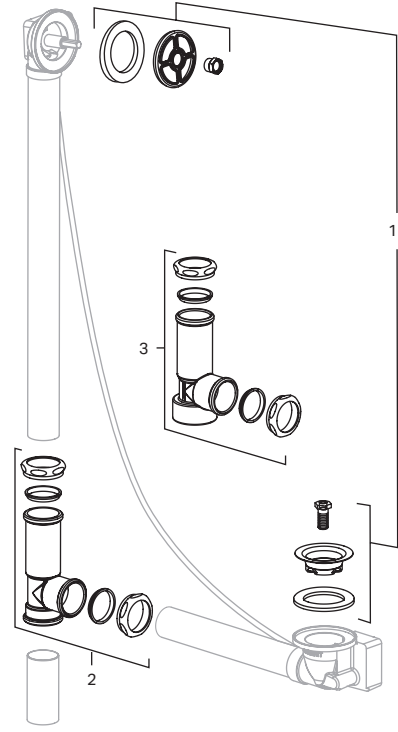
Tubular Plastic



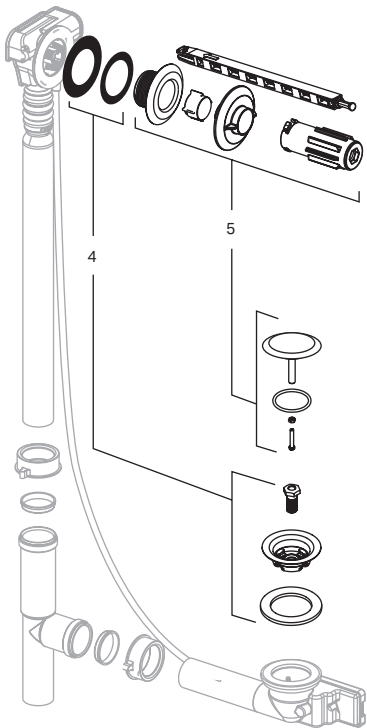
ABS/PVC



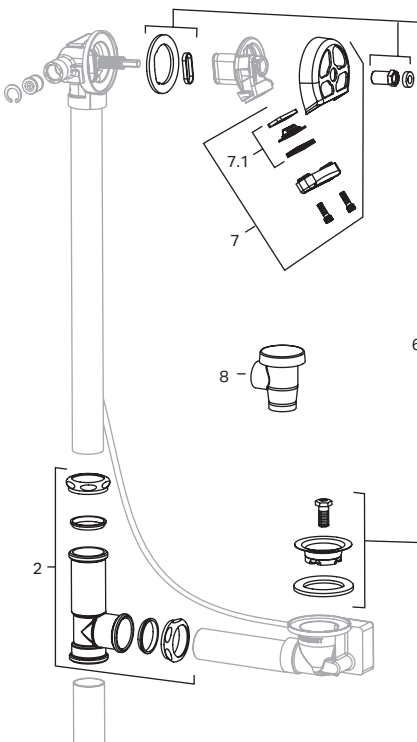
Tubular Brass



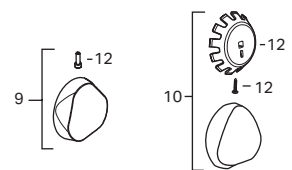
PushControl



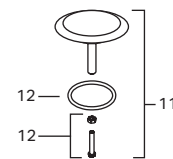
Cascading Tub Filler



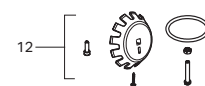
TurnControl Handle Parts



Plungers Parts



Replacement Parts Kit



Replacement Parts

**LIMITED WARRANTY** – The Company offers limited warranties regarding certain of its products. Such limited warranties can be found in the Company’s catalogs and on its website at [geberitnorthamerica.com](http://geberitnorthamerica.com). **THE COMPANY SHALL NOT BE LIABLE TO BUYER, OR TO ANYONE CLAIMING UNDER BUYER, FOR ANY OTHER OBLIGATIONS OR LIABILITIES, INCLUDING, BUT NOT LIMITED TO, OBLIGATIONS OR LIABILITIES ARISING OUT OF BREACH OF CONTRACT OR WARRANTY, NEGLIGENCE OR OTHER TORT OR ANY THEORY OF STRICT LIABILITY, WITH RESPECT TO THE PRODUCTS OR THE COMPANY’S ACTS OR OMISSIONS OR OTHERWISE. THE COMPANY AND BUYER AGREE THAT THE EXPRESS WARRANTIES DESCRIBED ABOVE ARE EXCLUSIVE AND IN LIEU OF ALL OTHER WARRANTIES. ALL OTHER EXPRESS WARRANTIES ARE DISCLAIMED. FOR COMMERCIAL PRODUCTS, ALL WARRANTIES IMPLIED BY LAW, INCLUDING WITHOUT LIMITATION THE IMPLIED WARRANTIES OF MERCHANTABILITY AND FITNESS FOR A PARTICULAR PURPOSE, ARE DISCLAIMED. FOR CONSUMER PRODUCTS, WARRANTIES IMPLIED BY LAW, INCLUDING THOSE OF MERCHANTABILITY AND FITNESS FOR A PARTICULAR PURPOSE, ARE EXPRESSLY LIMITED TO THE PERIOD OF THE EXPRESS LIMITED WARRANTY FOR THE RELEVANT PRODUCT.** Some States do not allow limitations on how long an implied warranty lasts, so the above limitation may not apply to Buyer. IN NO EVENT SHALL THE COMPANY BE LIABLE FOR INCIDENTAL, CONSEQUENTIAL, INDIRECT OR SPECIAL DAMAGES. THE COMPANY’S AGGREGATE LIABILITY WITH RESPECT TO A DEFECTIVE PRODUCT AND THIS CONTRACT SHALL BE LIMITED TO AN AMOUNT EQUAL TO THE MONIES PAID TO THE COMPANY FOR THAT DEFECTIVE PRODUCT. Some states do not allow the exclusion or limitation of incidental or consequential damages, so the above limitation or exclusion may not apply to Buyer. Please see the Company’s limited warranty statement for details on limitations.

**TO WHOM DOES THIS WARRANTY APPLY?** – The Company extends the following limited warranty to the original user only.

**WHAT DOES THIS WARRANTY COVER AND HOW LONG DOES IT LAST?** This warranty covers the following Commercial Products:

**BATH WASTE AND OVERFLOW PRODUCTS WARRANTY** – Bath Waste and Overflow products are warranted against defects in material and workmanship for the life of the Products.

**GEBERIT INSTALLATION SYSTEMS** – Frame, Flushing Tanks, and Actuators for Geberit Installation Systems are warranted against defects in material and workmanship for the life of the Products. Filling and Flushing valves are warranted against defects in material and workmanship for 10 years from the date of Product purchase. The Company offers NO WARRANTY for Product batteries. Use of third party Actuators (and hardware), or Fill and Flush valves voids all Flushing Tank warranties.

**FIVE YEAR FINISH WARRANTY – RESIDENTIAL** – For Products used in residential applications, the finish of the Product is warranted against material manufacturing defects for a period of five (5) years from the date of Product purchase.

**FOREVERSHINE™ and HARD COAT FINISHES WARRANTY – RESIDENTIAL** – ForeverShine™ and Hard Coat finishes installed in residential-use applications are warranted not to corrode, tarnish or discolor for the life of the Product.

**OTHER WARRANTIES** – All other Products not covered above are warranted against material manufacturing defects for a period of one (1) year from the date of Product purchase.

**WHAT THIS WARRANTY DOES NOT COVER** – The Company will not be liable for any labor, transportation or consequential expenses not specifically stated above. There is **NO WARRANTY** in cases of damage in transit, negligence, abuse, abnormal usage, misuse, accidents, normal wear and tear, damage due to environmental

or natural elements, failure to follow the Company’s instructions, unauthorized repair, incorrectly performed maintenance or repair, improper installation or storage or use of acidic, abrasive cleaning materials. In order for this Warranty to apply, Buyer must retain and provide to the Company receipts showing date of Product purchase and documenting proper maintenance. Any oral or written description of the Products is for the sole purpose of identifying the Products and shall not be construed as an express warranty. **THE COMPANY SHALL NOT BE LIABLE TO BUYER, OR TO ANYONE CLAIMING UNDER BUYER, FOR ANY OTHER OBLIGATIONS OR LIABILITIES, INCLUDING, BUT NOT LIMITED TO, OBLIGATIONS OR LIABILITIES ARISING OUT OF BREACH OF CONTRACT OR WARRANTY, NEGLIGENCE OR OTHER TORT OR ANY THEORY OF STRICT LIABILITY, WITH RESPECT TO THE PRODUCTS OR THE COMPANY’S ACTS OR OMISSIONS OR OTHERWISE. THE COMPANY AND BUYER AGREE THAT THE EXPRESS WARRANTIES DESCRIBED ABOVE ARE EXCLUSIVE AND IN LIEU OF ALL OTHER WARRANTIES. ALL OTHER EXPRESS WARRANTIES ARE DISCLAIMED. FOR COMMERCIAL PRODUCTS, ALL WARRANTIES IMPLIED BY LAW, INCLUDING WITHOUT LIMITATION THE IMPLIED WARRANTIES OF MERCHANTABILITY AND FITNESS FOR A PARTICULAR PURPOSE, ARE DISCLAIMED. FOR CONSUMER PRODUCTS, WARRANTIES IMPLIED BY LAW, INCLUDING THOSE OF MERCHANTABILITY AND FITNESS FOR A PARTICULAR PURPOSE, ARE EXPRESSLY LIMITED TO THE PERIOD OF THE EXPRESS LIMITED WARRANTY STATED ABOVE FOR THE RELEVANT PRODUCT.** Some States do not allow limitations on how long an implied warranty lasts, so the above limitation may not apply to you. Any assistance the Company provides to or procures for Buyer outside the terms, limitations or exclusions of this warranty will not constitute a waiver of the terms, limitations or exclusions of this limited warranty, nor will such assistance extend or revive the warranty. The Company will not reimburse Buyer for any expenses incurred by Buyer in repairing, correcting or replacing any defective Products, except for expenses incurred with the Company’s prior written permission.

**HOW TO GET SERVICE** – For complete warranty details, or to provide notice of a warranty claim or request warranty service, contact your Geberit Sales Representative or Geberit, Customer Service, 2100 S. Clearwater Drive, Des Plaines, Illinois 60018 or 847-803-5000. As the Company’s sole and exclusive obligation under this warranty (and Buyer’s sole and exclusive remedy), upon prompt written notice of breach from Buyer during the warranty period, the Company will either replace or repair the defective Product or refund the wholesale purchase price, at its option, if an inspection by the Company discloses defects in material or workmanship covered by this warranty. These warranty provisions do not cover the battery shipped with the electronic products.

**LIMITATION ON DAMAGES – IN NO EVENT SHALL THE COMPANY BE LIABLE FOR INCIDENTAL, CONSEQUENTIAL, INDIRECT OR SPECIAL DAMAGES. WITHOUT LIMITING THE FOREGOING, THE COMPANY SHALL NOT BE LIABLE FOR ANY DAMAGE A PALM DEVICE OR ANY SOFTWARE OR RELATED EQUIPMENT ALLEGEDLY CAUSES TO A SYSTEM OR OTHERWISE. THE COMPANY’S AGGREGATE LIABILITY WITH RESPECT TO A DEFECTIVE PRODUCT AND THIS CONTRACT SHALL BE LIMITED TO AN AMOUNT EQUAL TO THE MONIES PAID TO THE COMPANY FOR THAT DEFECTIVE PRODUCT.**

Some states do not allow the exclusion or limitation of incidental or consequential damages, so the above limitation or exclusion may not apply to you.

**HOW DOES STATE LAW APPLY?** – This warranty gives you specific legal rights, and you may also have other rights which vary from state to state.

**Restrictions Apply**



**Geberit**

2100 S. Clearwater Drive  
Des Plaines, IL 60018  
USA

P 800-566-2100  
F 847-849-1845

[www.geberitnorthamerica.com](http://www.geberitnorthamerica.com)

Geberit North America is part of the Geberit Group, a European market leader and global provider of sanitary technology. Located in Des Plaines, Illinois, Geberit North America provides concealed tank and carrier systems for wall-hung and floor-mounted toilets and fixtures. Geberit systems improve the look of any bathroom by hiding the unsightly toilet tank. Replacing a standard tank and toilet with the Geberit system results in more usable space, improved hygiene and better accessibility. The unique dual-flush valve saves water and is practically maintenance free. Geberit also offers cable-controlled bath waste and overflows in a variety of designer finishes. Critical working parts are outside the waterway, ensuring years of trouble-free operation.

For more information, contact your Geberit sales representative, call 800/566-2100 or go to [geberit.northamerica.com](http://geberit.northamerica.com)

