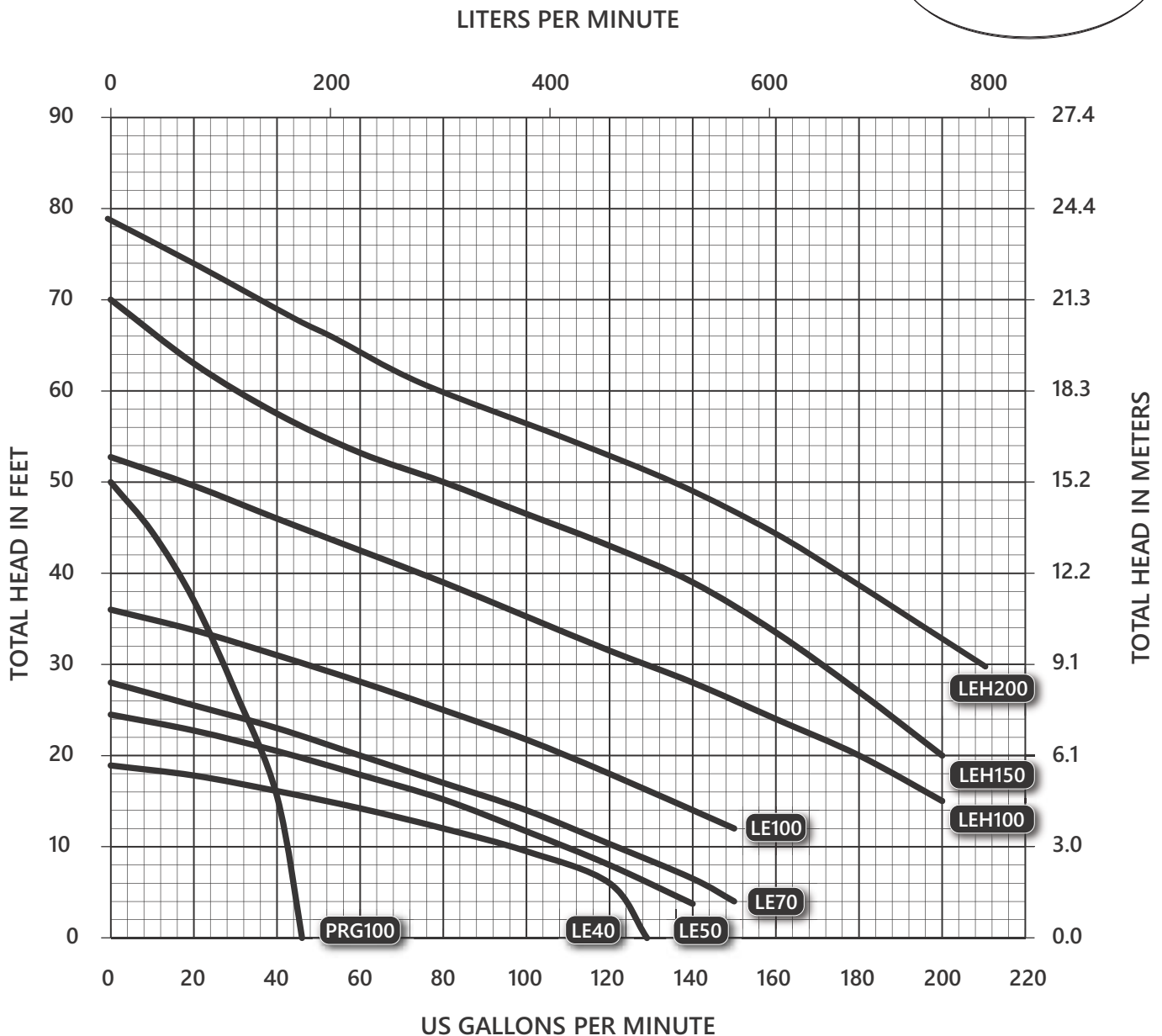
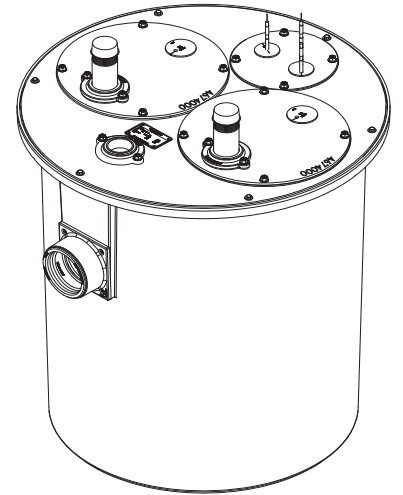


Pump Specification

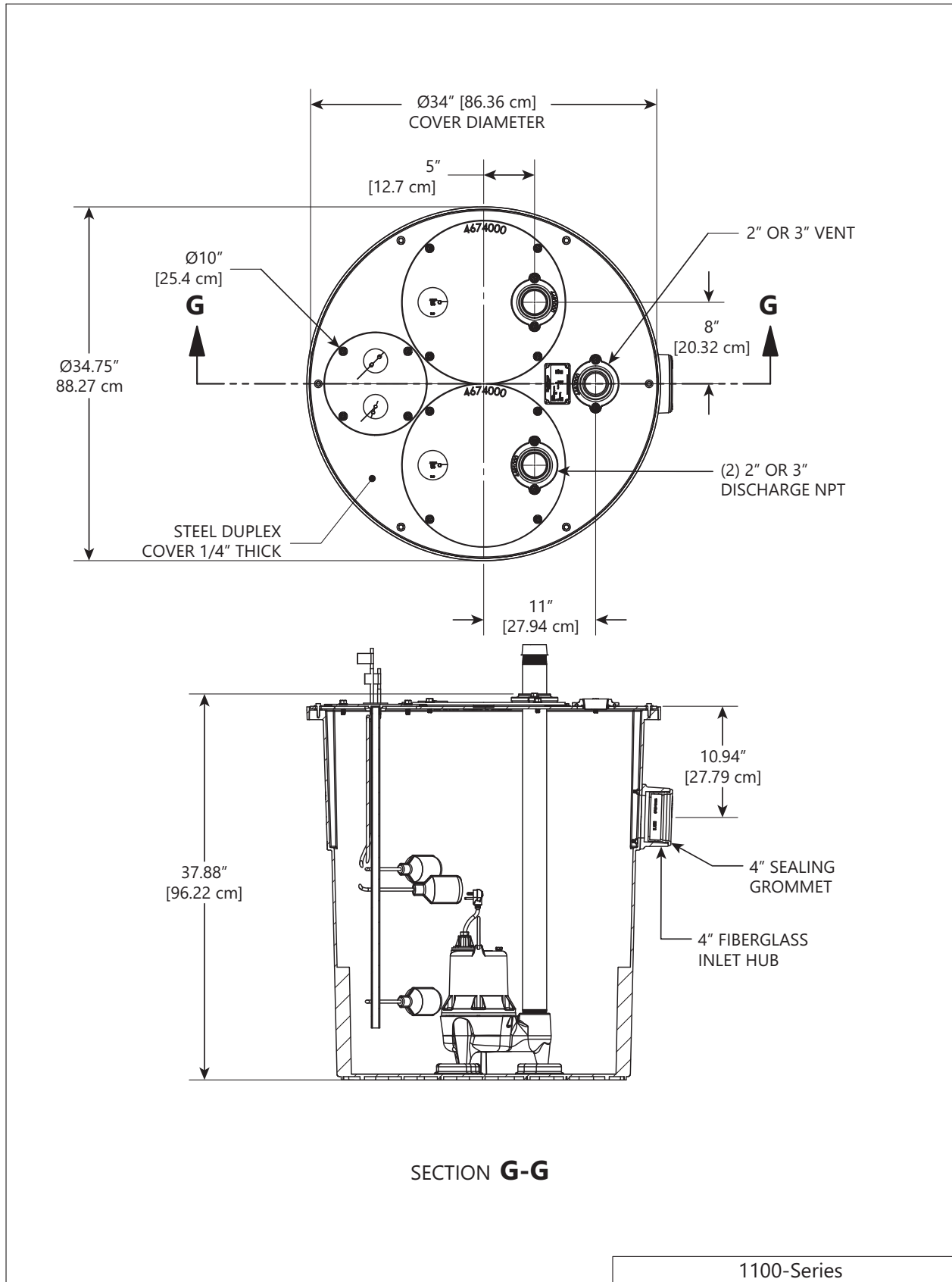
1100-Series

Pre-assembled Duplex Sewage System

30" x 36", 110 Gallon



1100-Series Dimensional Data



1100-Series Electrical Data

MODEL	HP	VOLTAGE	PHASE	SF	FULL LOAD AMPS ¹	LOCKED ROTOR AMPS ¹	THERMAL OVERLOAD TEMP	STATOR WINDING CLASS	DISCHARGE	AUTOMATIC
1102/LE41M	4/10	115	1	1.0	12	22.5	105°C / 221°F	B	2"	NO
1102/LE51M	1/2	115	1	1.0	12	22.5	105°C / 221°F	B	2"	NO
1102/LE52M	1/2	208-230	1	1.0	6.8	12	105°C / 221°F	B	2"	NO
1102/LE71M	3/4	115	1	1.0	12	29.1	105°C / 221°F	B	2"	NO
1102/LE72M	3/4	208-230	1	1.0	6	13.5	105°C / 221°F	B	2"	NO
1102/LE73M	3/4	208-230	3	1.0	4.1	14.7	N/A	B	2"	NO
1102/LE74M	3/4	440-480	3	1.0	2.1	7.4	N/A	B	2"	NO
1102/LE102M	1	208-230	1	1.0	8	22.3	105°C / 221°F	B	2"	NO
1102/LE103M	1	208-230	3	1.0	5.3	18.3	N/A	B	2"	NO
1102/LE104M	1	440-480	3	1.0	2.5	9.2	N/A	B	2"	NO
1102/LE105M	1	575	3	1.0	1.9	7.1	N/A	B	2"	NO
1102/LEH102M	1	230	1	1.0	12	28.6	120°C / 248°F	B	2"	NO
1102/LEH103M	1	208-230	3	1.0	9	32.4	N/A	B	2"	NO
1102/LEH104M	1	440-480	3	1.0	4.5	16.2	N/A	B	2"	NO
1102/LEH105M	1	575	3	1.0	3.3	12.8	N/A	B	2"	NO
1102/LEH152M	1-1/2	208-230	1	1.0	15	53	135°C / 275°F	B	2"	NO
1102/LEH153M	1-1/2	208-230	3	1.0	10.6	61	N/A	B	2"	NO
1102/LEH154M	1-1/2	440-480	3	1.0	5.3	31	N/A	B	2"	NO
1102/LEH155M	1-1/2	575	3	1.0	4.8	24	N/A	B	2"	NO
1102/LEH202M	2	230	1	1.0	18	53	135°C / 275°F	B	2"	NO
1102/LEH203M	2	208-230	3	1.0	13.2	61	N/A	B	2"	NO
1102/LEH204M	2	440-480	3	1.0	6.6	31	N/A	B	2"	NO
1102/LEH205M	2	575	3	1.0	5.5	24	N/A	B	2"	NO
1102/PRG101M	1	115	1	1.0	12	47.5	105°C / 221°F	B	2"	NO
1102/PRG102M	1	230	1	1.0	6	23.7	105°C / 221°F	B	2"	NO

MODEL	HP	VOLTAGE	PHASE	SF	FULL LOAD AMPS ¹	LOCKED ROTOR AMPS ¹	THERMAL OVERLOAD TEMP	STATOR WINDING CLASS	DISCHARGE	AUTOMATIC
1103/LE41M	4/10	115	1	1.0	12	22.5	105°C / 221°F	B	3"	NO
1103/LE51M	1/2	115	1	1.0	12	22.5	105°C / 221°F	B	3"	NO
1103/LE52M	1/2	208-230	1	1.0	6.8	12	105°C / 221°F	B	3"	NO
1103/LE71M	3/4	115	1	1.0	12	29.1	105°C / 221°F	B	3"	NO
1103/LE72M	3/4	208-230	1	1.0	6	13.5	105°C / 221°F	B	3"	NO
1103/LE73M	3/4	208-230	3	1.0	4.1	14.7	105°C / 221°F	B	3"	NO
1103/LE74M	3/4	440-480	3	1.0	2.1	7.4	105°C / 221°F	B	3"	NO
1103/LE102M	1	208-230	1	1.0	8	22.3	105°C / 221°F	B	3"	NO
1103/LE103M	1	208-230	3	1.0	5.3	18.3	N/A	B	3"	NO
1103/LE104M	1	440-480	3	1.0	2.5	9.2	N/A	B	3"	NO
1103/LE105M	1	575	3	1.0	1.9	7.1	N/A	B	3"	NO
1103/LEH102M	1	230	1	1.0	12	28.6	120°C / 248°F	B	3"	NO
1103/LEH103M	1	208-230	3	1.0	9	32.4	N/A	B	3"	NO
1103/LEH104M	1	440-480	3	1.0	4.5	16.2	N/A	B	3"	NO
1103/LEH105M	1	575	3	1.0	3.3	12.8	N/A	B	3"	NO
1103/LEH152M	1-1/2	208-230	1	1.0	15	53	135°C / 275°F	B	3"	NO
1103/LEH153M	1-1/2	208-230	3	1.0	10.6	61	N/A	B	3"	NO
1103/LEH154M	1-1/2	440-480	3	1.0	5.3	31	N/A	B	3"	NO
1103/LEH155M	1-1/2	575	3	1.0	4.8	24	N/A	B	3"	NO
1103/LEH202M	2	230	1	1.0	18	53	135°C / 275°F	B	3"	NO
1103/LEH203M	2	208-230	3	1.0	13.2	61	N/A	B	3"	NO
1103/LEH204M	2	440-480	3	1.0	6.6	31	N/A	B	3"	NO
1103/LEH205M	2	575	3	1.0	5.5	24	N/A	B	3"	NO

1 Amperage values are for **each pump**. Electrical service shall be sized to support both pumps running simultaneously.

1100-Series Technical Data

SYSTEM	BASIN	HEAVY-DUTY POLYETHYLENE BASIN
	COVER	POWDER COATED STEEL
	GUIDE RAIL	NONE – PUMPS PULL OUT WITH COVER
	INSPECTION COVER	10" STEEL WITH INTEGRAL FLOAT TREE
	INLET HUB	4" (PRE-ASSEMBLED)
	DISCHARGE PIPING	SCHEDULE 80 PVC (GALVANIZED OR STAINLESS STEEL OPTIONAL)
	PUMP RESTRAINT	TORQUE-STOPPS SECURE PUMP LEGS
	CONTROL PANELS	DUPLEX - INDOOR OR OUTDOOR ALARM WITH VISUAL AND AUDIBLE (80 dBi) ALARM
PUMP	IMPELLER	SEE INDIVIDUAL PUMP MODEL SPEC SHEET
	PAINT	SEE INDIVIDUAL PUMP MODEL SPEC SHEET
	MAX LIQUID TEMP	SEE INDIVIDUAL PUMP MODEL SPEC SHEET
	MAX STATOR TEMP	SEE INDIVIDUAL PUMP MODEL SPEC SHEET
	THERMAL OVERLOAD	SEE INDIVIDUAL PUMP MODEL SPEC SHEET
	POWER CORD TYPE	SEE INDIVIDUAL PUMP MODEL SPEC SHEET
	MOTOR HOUSING	SEE INDIVIDUAL PUMP MODEL SPEC SHEET
	VOLUTE	SEE INDIVIDUAL PUMP MODEL SPEC SHEET
	SHAFT	SEE INDIVIDUAL PUMP MODEL SPEC SHEET
	HARDWARE	SEE INDIVIDUAL PUMP MODEL SPEC SHEET
	O-RINGS	SEE INDIVIDUAL PUMP MODEL SPEC SHEET
	MECHANICAL SEAL	SEE INDIVIDUAL PUMP MODEL SPEC SHEET
	MIN BEARING LIFE	SEE INDIVIDUAL PUMP MODEL SPEC SHEET

1100-Series Specifications

1.01 SYSTEM

The duplex ejector system shall be (2) of model _____ as manufactured by Liberty Pumps, Bergen, NY or equal. The system shall be factory pre-assembled with pumps, discharge pipe nipples, and floats pre-mounted in the basin. Volume per pump cycle shall be factory set at 28 US gallons. Floats shall be tethered to a removable standpipe/access cover assembly.

2.01 BASIN

The basin shall be constructed of heavy-duty polyethylene. Dimensions shall be 30" diameter x 36" deep and shall have a total capacity of 110 US gallons. The inlet hub shall be 4" and pre-assembled to basin. The basin shall have "torque-stops" to locate and retain the pump in its proper position.

3.01 COVER

The cover shall be "heavy-duty" 1/4" steel plate, enamel-coated on both sides. The cover shall be 34" in diameter and have _____ (2" or 3") discharges and vent flange. The cover shall be fitted with two 16" diameter pump openings, and one 10" diameter inspection cover with integral standpipe for float tethering. All cover hardware shall be stainless steel.

4.01 PUMP

See specific LE, LEH, or PRG-Series literature for pump performance and technical specifications.

5.01 CONTROLS

The pump shall be controlled with:

- _____ A NEMA 4X outdoor duplex control panel with three float switches including a high water alarm
- _____ A NEMA 1 indoor duplex control panel with three float switches including a high water alarm
- _____ A NEMA 4X outdoor duplex control panel with four float switches including a high water alarm
- _____ A NEMA 1 indoor duplex control panel with four float switches including a high water alarm

6.01 WARRANTY

Standard limited warranty shall be 3 years.