

14FHK-HTR SERIES STANDARD HIGH TEMPERATURE FILTER HOUSING KIT

APPLICATION:

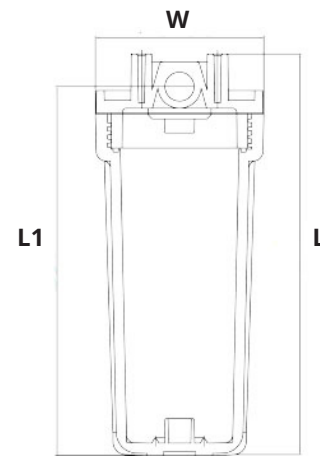
- Hot Water / Liquids
- Photographic
- Salt Water Fisheries

SPECIFICATION:

- Threads conform to ANSI/ASME B1.20.1
- Max Pressure Rating: 125 PSI
- Temperature Rating: 39-165°F (4-73.9°C)
- Mounting bosses molded in head for installation with mounting bracket
- Housing kit comes complete with filter housing, 1 O-ring installed plus 1 replacement O-ring, mounting bracket & hardware, and filter bowl wrench
- Accepts industry standard cartridges (not included)
- Ideal for a wide range of commercial and industrial applications
- Excellent alternative to stainless and carbon housings
- Durable glass-reinforced nylon construction



MATERIAL LIST	
Part Name	Material
Filter Head	Red Glass-Reinforced Nylon
Filter Bowl	Red Glass-Reinforced Nylon
O-Ring	Viton
Wrench	White Polypropylene
Bracket	White Coated Steel
Hardware	Stainless Steel



DIMENSIONS										
Part No.	Inlet/Outlet	Bowl	Flow Rate Initial PSI @ GPM	W		L		L1		Weight grams
				inches	mm	inches	mm	inches	mm	
14FHK-HTR-1007	3/4" NPT	Red	7 PSI @ 11 GPM *	5.14	130.60	12.27	311.60	11.30	287.00	1915

* Actual flow rates and pressure drop will be determined based on cartridge selection and fluid viscosity.

BOSHART
INDUSTRIES

25 Whaley Avenue, PO Box 310, Milverton, ON CANADA N0K 1M0
Tel: 800-561-3164

boshart.com ♦ blog.boshart.com