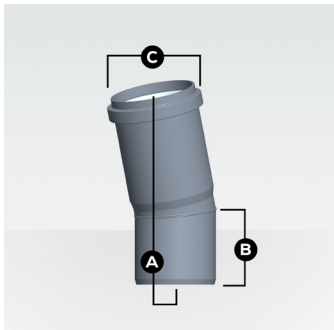


Base Support Bracket

B-Vent Support Bracket (IABVSB) replaces metal channel on base support to support vertical sections of rigid and flexible vent lengths installed inside a B-Vent. Fastens to floor joists.

Part	Width A	Height B
IABVSB	17.5 (446)	11.8 (298)

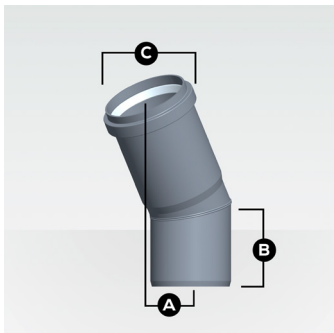
Elbows and Tees



15° Elbow

For offsets or changes in the direction of the vent system.

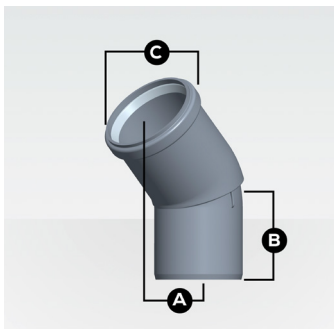
Nominal Diameter	Part	Centerline Offset A	Effective Length B	Max O.D. C
2" (60)	ISEL0215	1.2 (32)	3.5 (88)	2.9 (74)
3" (80)	ISEL0315	1.3 (32)	3.6 (91)	3.7 (94)
4" (110)	ISEL0415	1.2 (32)	3.9 (99)	5.0 (128)



30° Elbow

For offsets or changes in the direction of the vent system.

Nominal Diameter	Part	Centerline Offset A	Effective Length B	Max O.D. C
2" (60)	ISEL0230	2.5 (63)	3.7 (94)	2.9 (74)
3" (80)	ISEL0330	2.5 (64)	3.9 (99)	3.7 (94)
4" (110)	ISEL0430	2.5 (64)	4.3 (110)	5.0 (128)



45° Short Radius Elbow

For offsets or changes in the direction of the vent system.

Nominal Diameter	Part	Centerline Offset A	Effective Length B	Max O.D. C
2" (60)	ISELS0245	2.5 (64)	3.8 (95)	3.0 (75)
3" (80)	ISELS0345	2.6 (66)	3.9 (98)	3.7 (95)
4" (110)	ISELS0445	2.7 (69)	4.2 (107)	5.0 (127)