



Location:



4-500
Shower Valve System
Specification Submittal



<p>Model Numbers</p> <ul style="list-style-type: none"> <input type="checkbox"/> 4-500 Shower Valve System with Symmons Safetymix mixing valve <input type="checkbox"/> 4-500-TRM Shower Valve Trim only, Symmons Safetymix mixing valve ordered separately <input type="checkbox"/> 4-500-REB-TRM Rebuild kit, Trim only, includes C-5 flow control spindle and SC-3 hot/cold seat 	<p>Feature Highlights</p> <ul style="list-style-type: none"> ▪ Symmons shower valve system with Symmons Safetymix® pressure balancing mixing valve and lever style handle. Valve includes adjustable stop screw to limit handle turn. ▪ Polished chrome finish
<p>Options/ Modifications</p> <ul style="list-style-type: none"> <input type="checkbox"/> -VP Vandal resistant escutcheon screws in place of standard screws <input type="checkbox"/> -X Integral stops - allows water shut off at valve for service. Recommended for use on all multiple commercial installations <input type="checkbox"/> -X-CHKS Integral check stops - for use in installations where a positive shut-off device is used downstream of mixing valve <p>Note: Append appropriate suffix to model number.</p>	<p>Warranty</p> <p>Limited Lifetime - to the original end purchaser in consumer/residential installations. 10 Years - for commercial/industrial installations. Refer to www.symmons.com/warranty for complete warranty information.</p>  <p>Compliance</p> <ul style="list-style-type: none"> - ASME A112.18.1/CSA B125.1 -ASSE 1016 -Americans with Disabilities Act (ADA) 

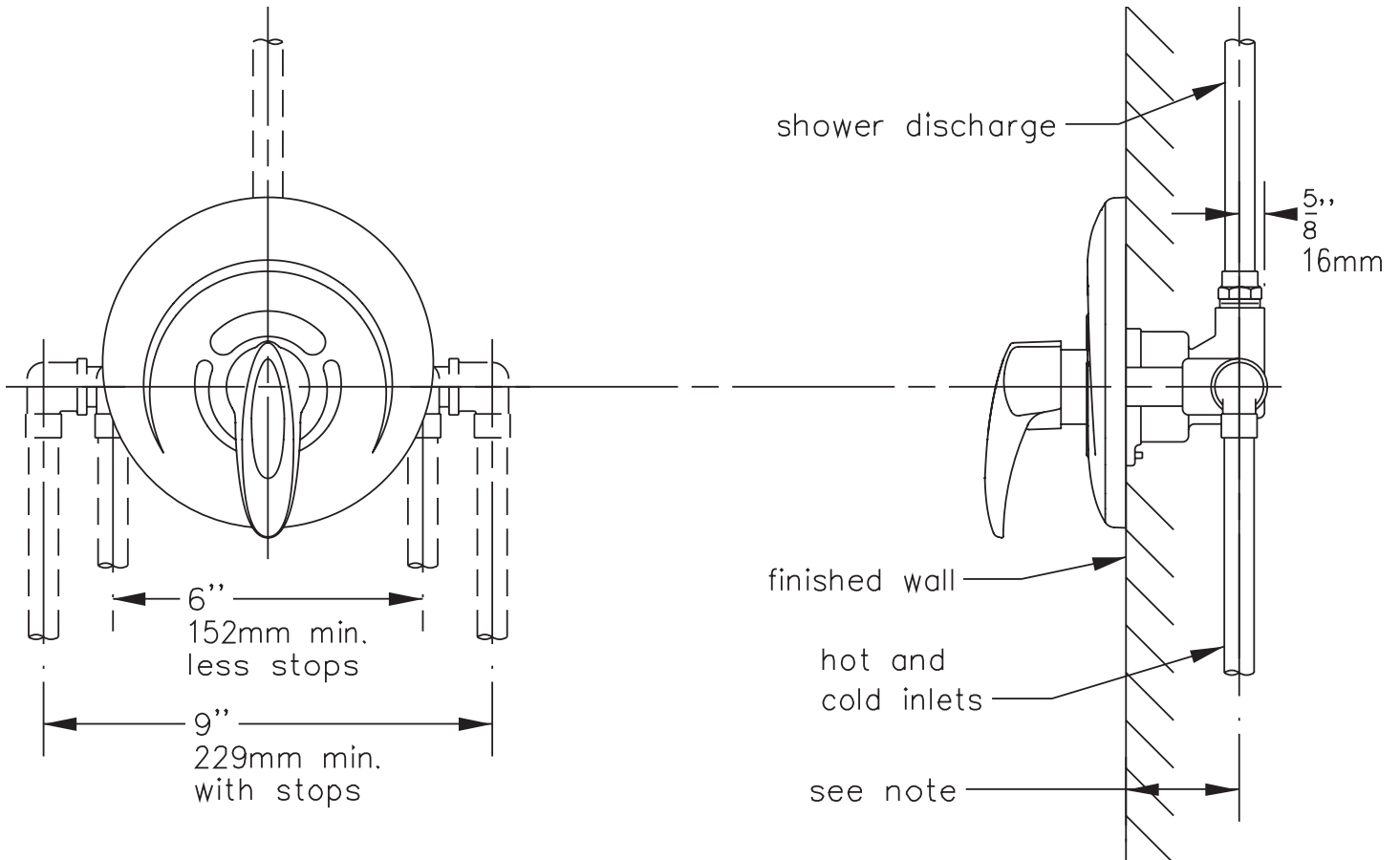
Architectural/ Engineering Specification

Symmons _____. Includes Symmons shower valve system with Symmons Safetymix® pressure balancing mixing valve and lever style handle. Valve includes adjustable stop screw to limit handle turn. Polished chrome finish. "10 Year Commercial Warranty". ASME A112.18.1/CSA B125.1, ASSE 1016, and Americans with Disabilities Act (ADA) compliant. Available options include "VP -Vandal resistant escutcheon screws", "X - Integral stops - allows water shut off at valve for service" and "X-CHKS - integral check stops".



4-500

Dimensions



NOTE: 2-3/8" (60mm) min.
3" (76mm) max. 2-5/16" (59mm)
fixed dim. metal stall.
Valve inlets and outlets are
1/2" (13mm) IPS connections.