

Job Name:

Engineer/Architect:

Job Location:

Wholesaler:

Submittal Date:

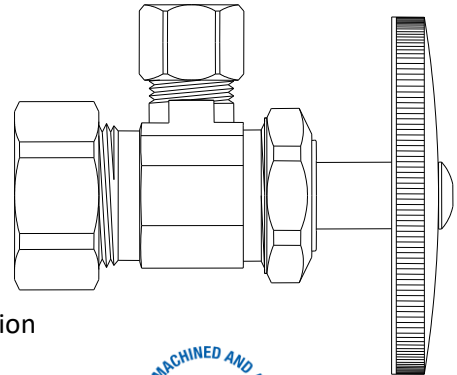
Contractor:

OCR1B/3B/09/19/19/29/39/49X Multi-Turn Angle Stop – Compression x Compression

Use: For use in potable water distribution systems in accessible locations only. Not intended for recirculation systems/continuous use of temperatures above 115° F. For those applications, use our KT™ series ball stop.

Design Features:

- **Machined one-piece brass body** provides strength, durability, and long-lasting performance
- **Oval knurled handle** provides a secure grip and smooth on/off operation
- **Easy-to-remove handle** with screw attachment helps protect against accidental stop operation during rough-ins
- **For use with** ASTM F876 PEX tubing, in ASTM F877 water distribution systems (parts containing PXX only)



Operating Specifications:

Temperature: 40° - 160° F

Pressure: 125 PSI maximum

STOP MATERIAL SPECIFICATIONS	
Body	Brass, plated
Stem	POM or brass, plated
Bib & Packing Washer	Rubber
Packing Nut	Brass, plated
Handle	Zinc, die cast plated; ABS, plated; or polycarbonate
Handle Screw	Zinc-plated steel
Compression Nut	Brass, plated
Compression Sleeve	Brass
PEX Insert	Stainless steel

Part Listing:

- OCR1BX C 3/8" nom compression x 3/8" OD compression, chrome plated
- OCR1BX C1 3/8" nom compression x 3/8" OD compression, chrome plated, window box
- OCR09X C 1/2" nom compression x 1/4" OD compression, chrome plated
- OCR09X C1 1/2" nom compression x 1/4" OD compression, chrome plated, window box
- OCR09X R 1/2" nom compression x 1/4" OD compression, rough brass

This specification and all information contained herein is the confidential and exclusive property of BrassCraft Manufacturing Company and shall not be disclosed to others without the written consent of BrassCraft. This specification must be returned to BrassCraft if requested.

BrassCraft®

OCR1B/3B/09/19/19/29/39/49X Multi-Turn Angle Stop – Compression x Compression

Part Listing (con't):

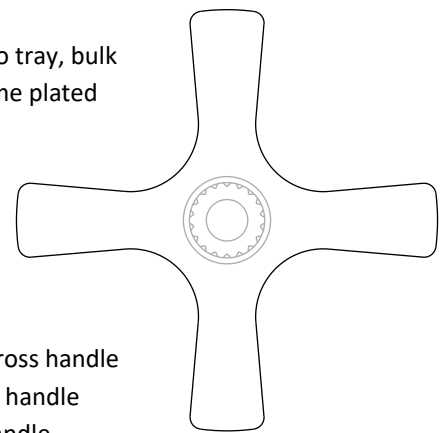
- OCR09ZX C 1/2" nom compression x 1/4" OD compression, brass stem, chrome plated
- OCR19X C 1/2" nom compression x 3/8" OD compression, chrome plated
- OCR19X C1 1/2" nom compression x 3/8" OD compression, chrome plated, window box
- OCR19X R 1/2" nom compression x 3/8" OD compression, rough brass
- OCR19X R1 1/2" nom compression x 3/8" OD compression, rough brass, window box
- OCR19X BZ 1/2" nom compression x 3/8" OD compression, oil rubbed bronze
- OCR19X NP 1/2" nom compression x 3/8" OD compression, polished nickel
- OCR19X NS 1/2" nom compression x 3/8" OD compression, satin nickel
- OCR19X P 1/2" nom compression x 3/8" OD compression, polished brass
- OCR19L1X CB 1/2" nom compression x 3/8" OD compression, less outlet nut, chrome plated, bulk

- OCR19TX CB 1/2" nom compression x 3/8" OD compression, chrome plated, no tray, bulk
- OCR19ZX C 1/2" nom compression x 3/8" OD compression, brass stem, chrome plated
- OCR29X C1 1/2" nom compression x 7/16" OD compression, chrome plated, window box

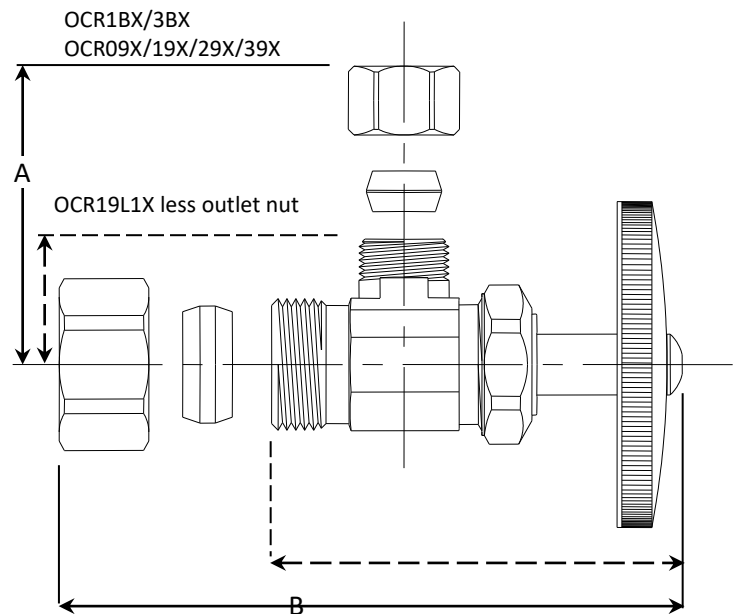
- OCR39X C 1/2" nom compression x 1/2" OD compression, chrome plated
- OCR39X C1 1/2" nom compression x 1/2" OD compression, chrome plated, window box

- OCR39X R 1/2" nom compression x 1/2" OD compression, rough brass
- XCR19X NP1 1/2" nom compression x 3/8" OD compression, polished nickel, cross handle
- XCR19X NS1 1/2" nom compression x 3/8" OD compression, satin nickel, cross handle
- XCR19X P1 1/2" nom compression x 1/2" OD compression, polished, cross handle

OPTIONAL "CROSS HANDLE"
2.11" DIAMETER HANDLE



PART DIMENSIONS (Inches)		
Model	DIM A	DIM B
OCR1BX	1.02	2.75
OCR09X	1.02	2.75
OCR19X	1.02	2.75
OCR19KL1X	1.02	2.75
OCR19L1X	0.74	2.75
OCR29X	1.18	2.85
OCR39X	1.11	2.85
XCR19X	1.02	2.75



Listings & Certifications:

- IAPMO listed to ASME A112.18.1 / CSA B125.1 (includes NSF/ANSI 372 and NSF/ANSI/CAN 61)



This specification and all information contained herein is the confidential and exclusive property of BrassCraft Manufacturing Company and shall not be disclosed to others without the written consent of BrassCraft. This specification must be returned to BrassCraft if requested.

BrassCraft®