

SPECIFICATIONS

Notes:

- 4" FPT inlet/outlet with 4" plain end adapters, single inlet and triple outlet.
- Unit weight - w/ composite covers: 266 lbs. (For wet weight add 2,310 lbs.)
- Maximum operating temperature: 150° F continuous
- Capacities - Liquid: 277 gal.;
Grease: 1,895 lbs. (260 gal.) @100GPM
Grease: 1,196 lbs. (164 gal.) @200GPM
Solids: 69 gal.
- This unit does not require flow control for 100 GPM applications. Built-in flow control is provided for 200 GPM applications. For series installations, only install flow control on the first unit in the series if necessary.
- For gravity drainage applications only.
- Do not use for pressure applications.
- Cover placement allows full access to tank for proper maintenance.
- Vent not required unless per local code.
- Engineered inlet and outlet diffusers with inspection ports are removable to inspect / clean piping.
- Integral air relief / Anti-siphon / Sampling access.
- Adjustable cover adapters provide up to 4" of additional height.
- Designed for below-grade, above-grade, indoor or outdoor installations.
- Safety Star®, access restrictor built into each cover adapter, prevents accidental entry to tanks (450 lb rating).

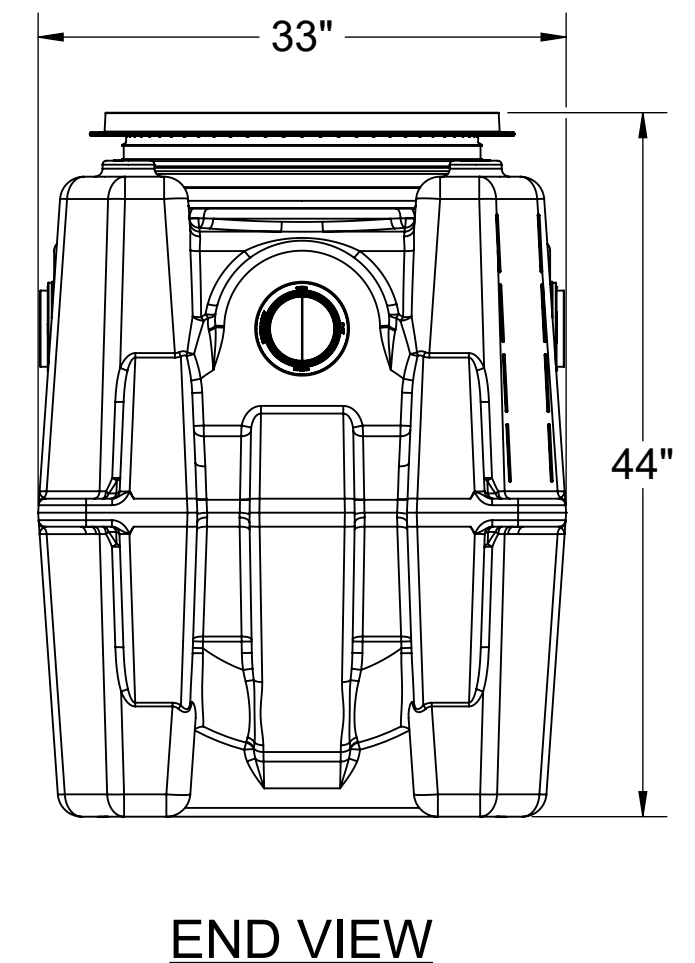
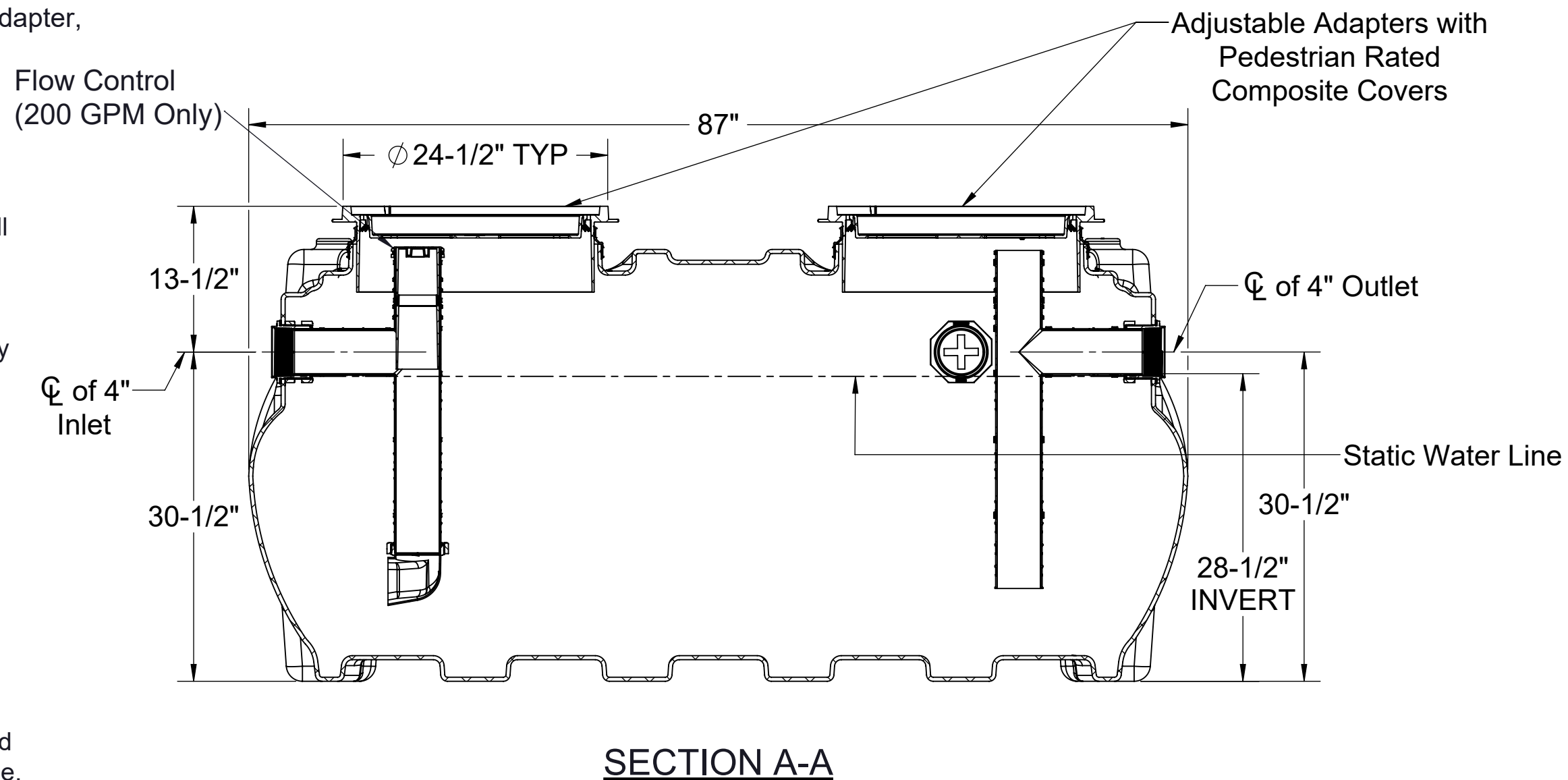
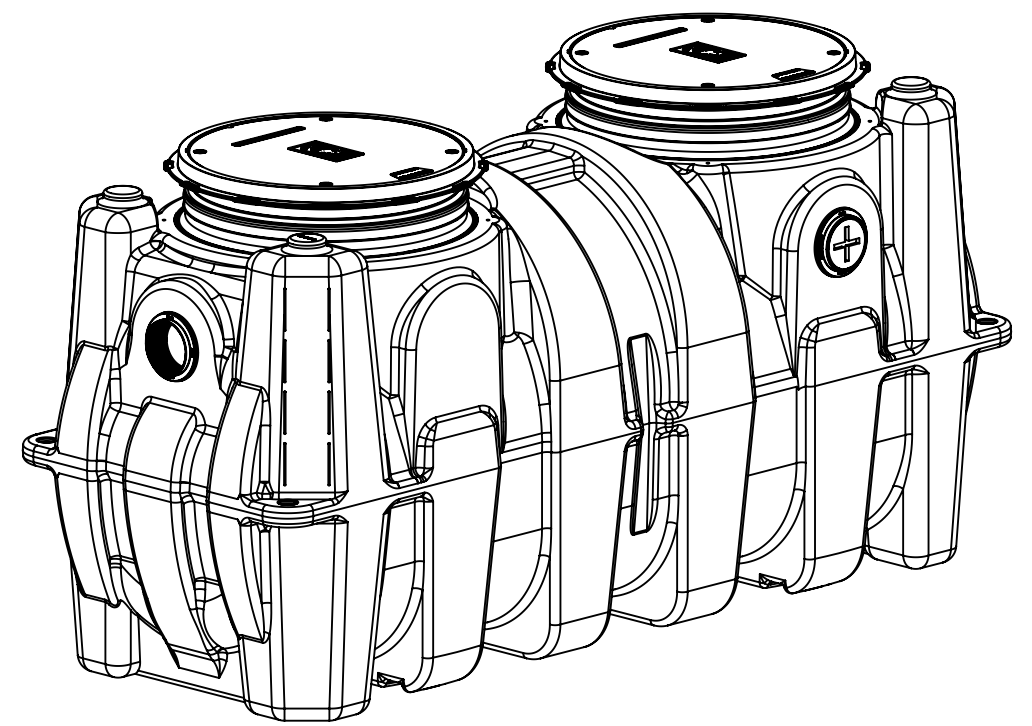
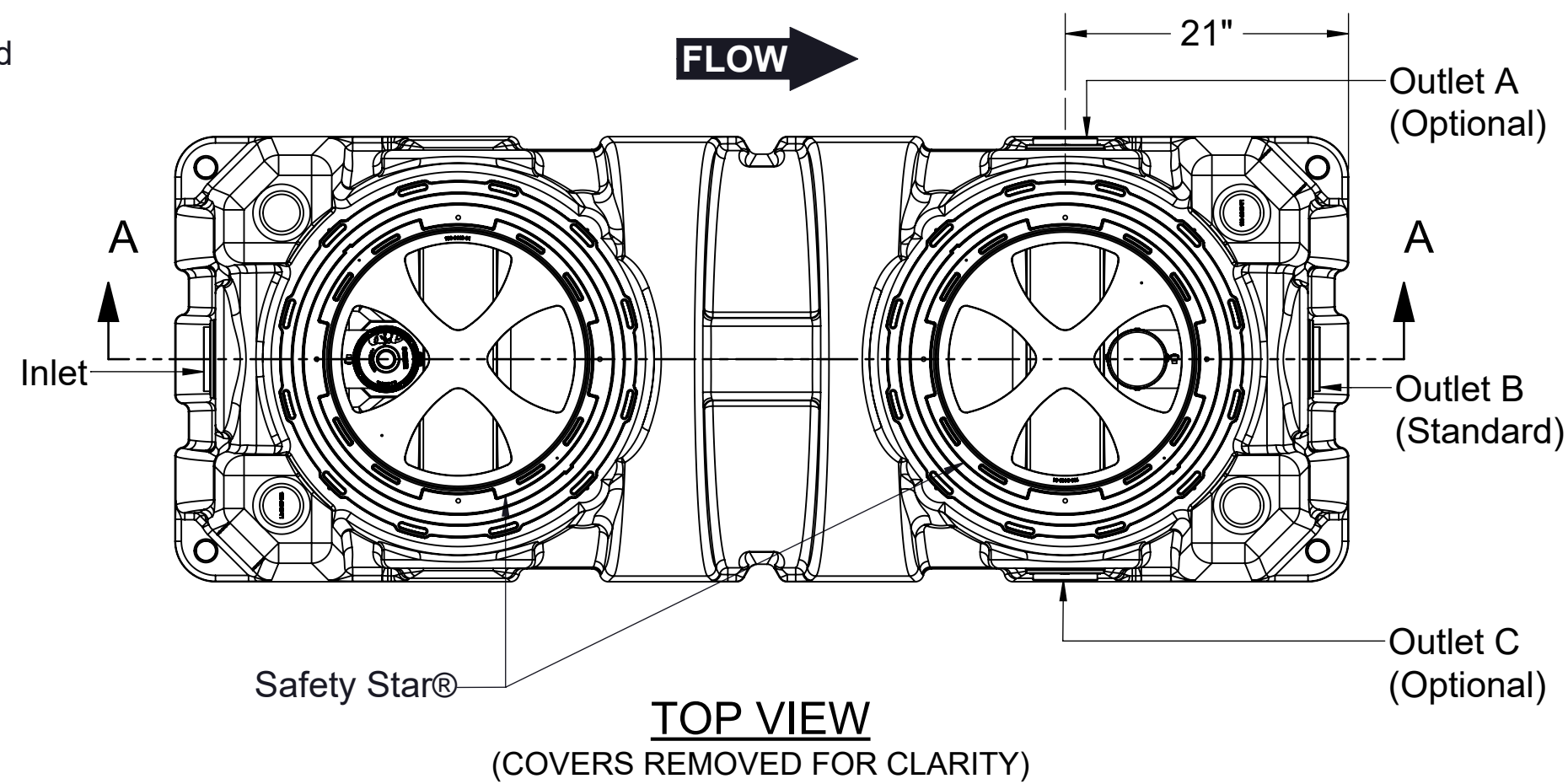
ENGINEER SPECIFICATION GUIDE

Schier Great Basin™ grease interceptor model # GB-250 shall be lifetime guaranteed and made in USA of seamless, rotationally-molded polyethylene with minimum 3/8" uniform wall thickness. Interceptor shall be furnished for above or below-grade installation with adjustable cover adapters, Safety Star® access restrictor built into each cover adapter, built-in flow control (for 200 GPM only) and three outlet options. Interceptor shall be certified to ASME A112.14.3 (Type D for 100 GPM, type C for 200 GPM) and CSA B481.1. Interceptor flow rate shall be 100 GPM or 200 GPM. Interceptor grease capacity shall be 1,895 lbs. @ 100 GPM or 1,196 lbs. @ 200 GPM. Cover shall provide water/gas-tight seal and have minimum 2,000 lbs. load capacity.

CERTIFIED PERFORMANCE

Great Basin™ hydromechanical grease interceptors are third party performance-tested and listed by IAPMO to ASME #A112.14.3 and CSA B481.1 grease interceptor standards and greatly exceed requirements for grease separation and storage. They are compliant to the Uniform Plumbing Code and the International Plumbing Code.

Type D certification does not require a flow control



SPECIFICATION SHEET

MODEL NUMBER:

GB-250

PART NUMBER: 4055-001-02

DESCRIPTION:

GB-250 GREASE INTERCEPTOR 100 GPM / 200 GPM, 4" INLET/OUTLET, PEDESTRIAN RATED COMPOSITE COVERS

PROPRIETARY AND CONFIDENTIAL

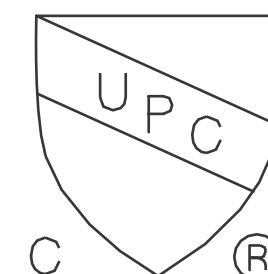
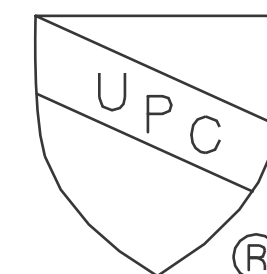
THE INFORMATION CONTAINED IN THIS DRAWING IS THE SOLE PROPERTY OF SCHIER PRODUCTS. ANY REPRODUCTION IN PART OR AS A WHOLE WITHOUT THE WRITTEN PERMISSION OF SCHIER PRODUCTS IS PROHIBITED.

DWG BY: C.SINCLAIR

DATE: 5/4/2022

REV: A

ECO: BB - 12/5/22



SCHIER

6455 Woodland Dr
Shawnee, KS 66218
Tel: 913-951-3300
Fax: 913-951-3399
schierproducts.com