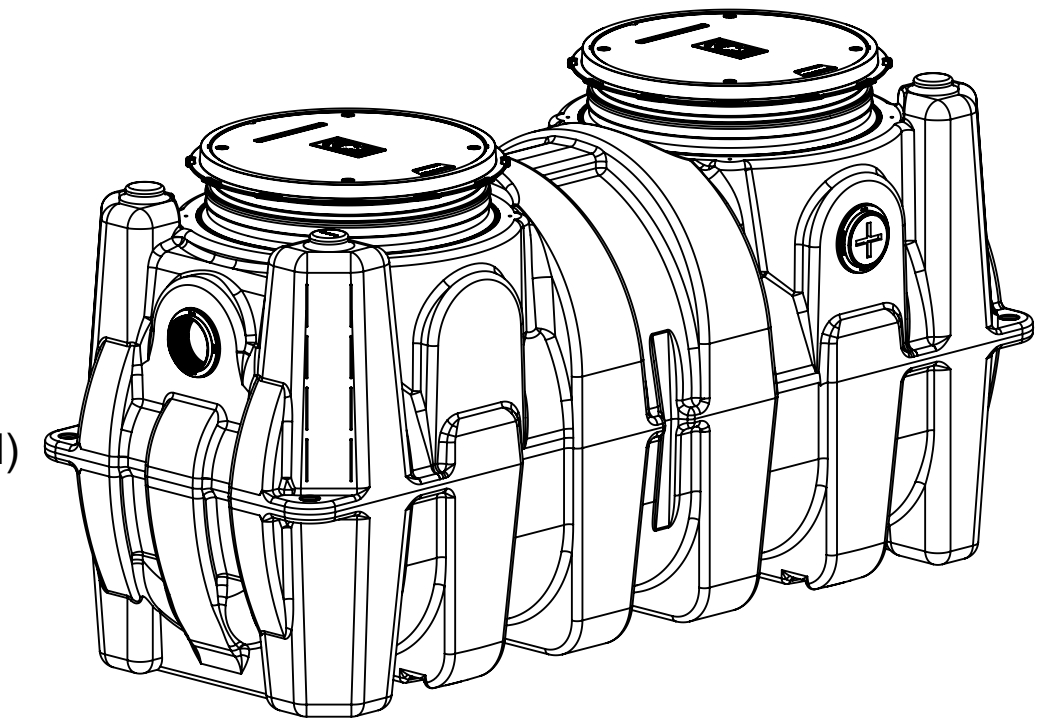
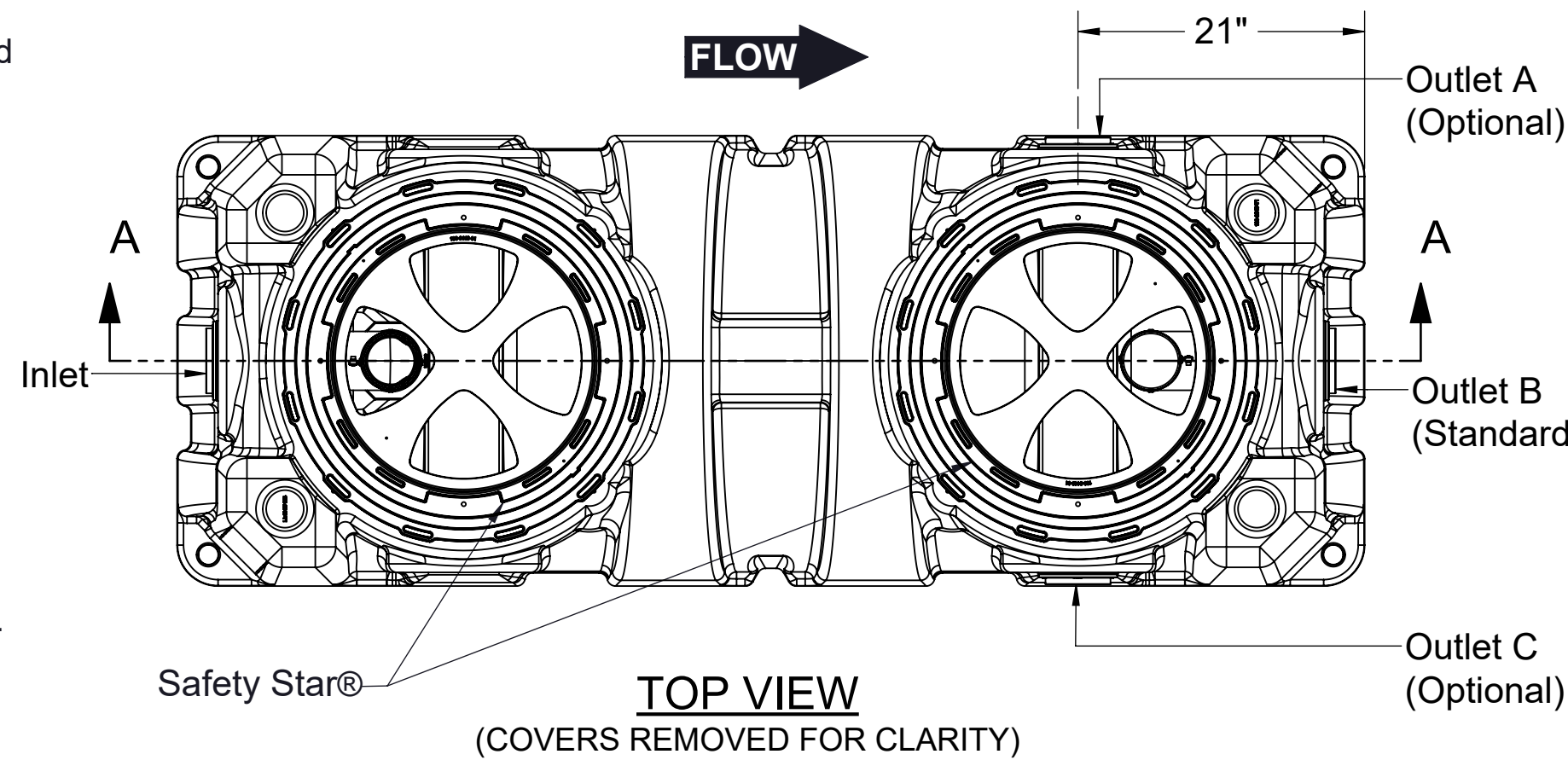


**SPECIFICATIONS**

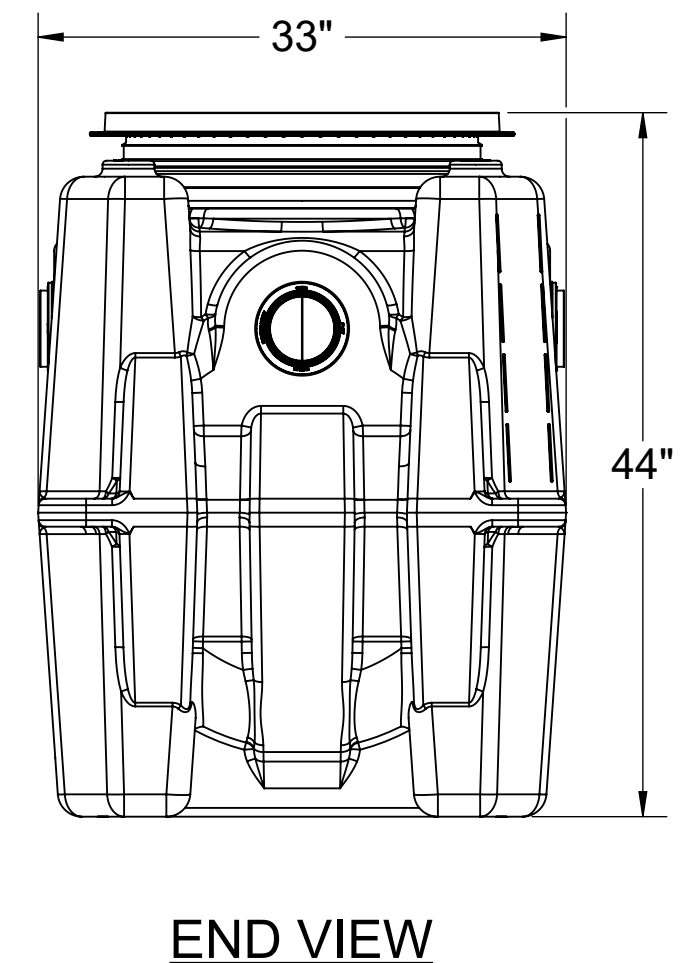
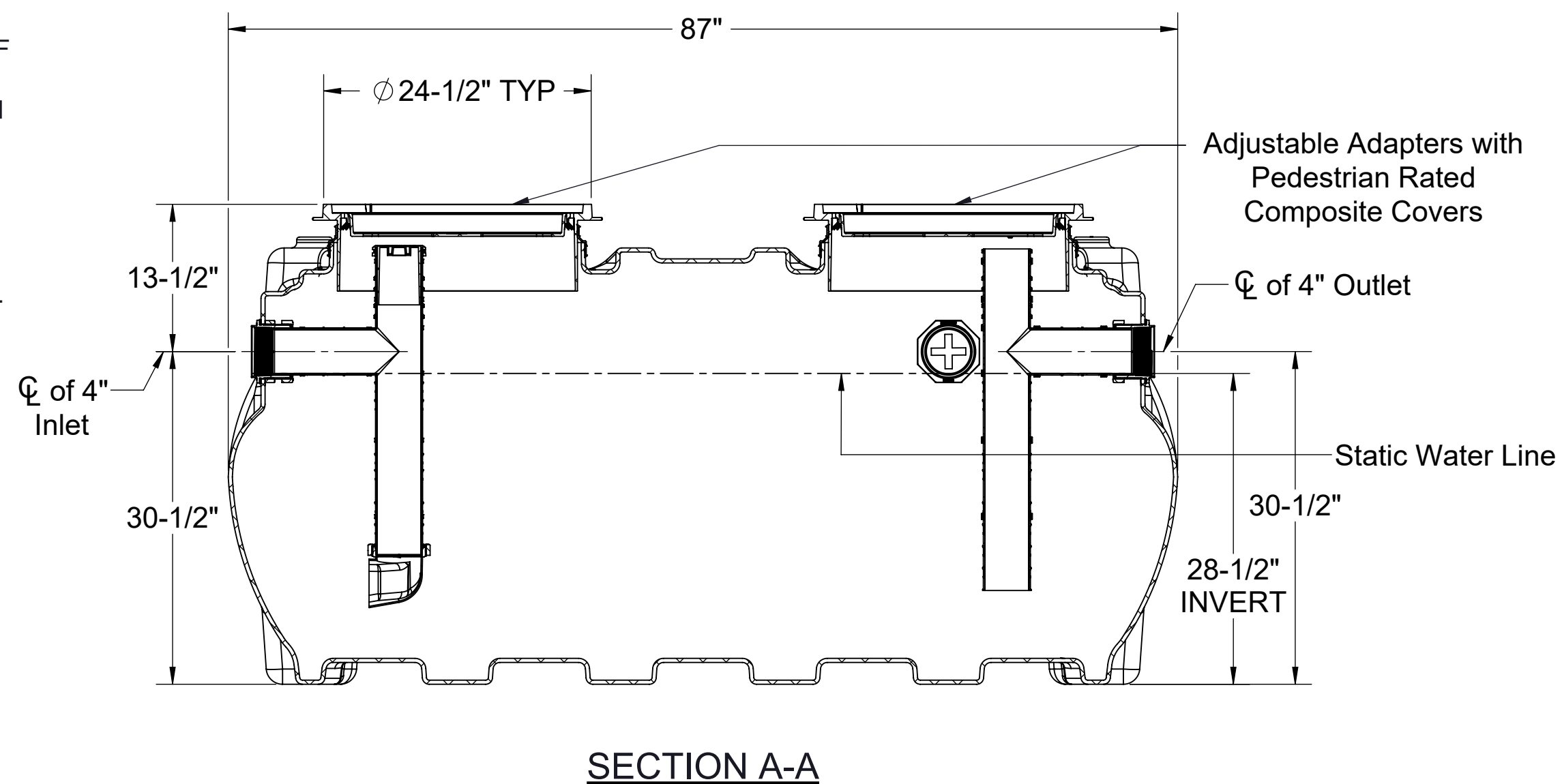
Notes:

1. 4" FPT inlet/outlet with 4" plain end adapters, single inlet and triple outlet.
2. Unit weight - w/ composite covers: 266 lbs. (For wet weight add 2,310 lbs.)
3. Maximum operating temperature: 150° F continuous
4. Capacities - Liquid: 277 gal.  
Grease: 1,068 lbs. (146 gal.) @250 GPM  
Solids: 69 gal.
5. For gravity drainage applications only.
6. Do not use for pressure applications.
7. Cover placement allows full access to tank for proper maintenance.
8. Vent not required unless per local code.
9. Engineered inlet and outlet diffusers with inspection ports are removable to inspect / clean piping.
10. Integral air relief / Anti-siphon / Sampling access.
11. Adjustable cover adapters provide up to 4" of additional height.
12. Designed for below-grade, above-grade, indoor or outdoor installations.
13. Safety Star®, access restrictor built into each cover adapter, prevents accidental entry to tanks (450 lb rating).



**ENGINEER SPECIFICATION GUIDE**

Schier Great Basin™ grease interceptor model # GB-250-250HF shall be lifetime guaranteed and made in USA of seamless, rotationally-molded polyethylene with minimum 3/8" uniform wall thickness. Interceptor shall be furnished for above or below-grade installation with adjustable cover adapters, Safety Star® access restrictor built into each cover adapter, and three outlet options. Interceptor flow rate shall be 250 GPM. Interceptor grease capacity shall be 1,068 lbs. Cover shall provide water/gas-tight seal and have minimum 2,000 lbs. load capacity.



**SPECIFICATION SHEET**

MODEL NUMBER:

**GB-250-250HF**

PART NUMBER: 4055-017-01

DESCRIPTION:

GB-250-250HF GREASE INTERCEPTOR 250 GPM, 4" INLET/OUTLET, PEDESTRIAN RATED COMPOSITE COVERS

PROPRIETARY AND CONFIDENTIAL

THE INFORMATION CONTAINED IN THIS DRAWING IS THE SOLE PROPERTY OF SCHIER PRODUCTS. ANY REPRODUCTION IN PART OR AS A WHOLE WITHOUT THE WRITTEN PERMISSION OF SCHIER PRODUCTS IS PROHIBITED.

DWG BY: C.SINCLAIR

DATE: 5/4/2022

REV: A

ECO: BB - 12/5/22



**SCHIER**

6455 Woodland Dr  
Shawnee, KS 66218  
Tel: 913-951-3300  
Fax: 913-951-3399  
schierproducts.com