

**SPECIFICATIONS**

**Notes:**

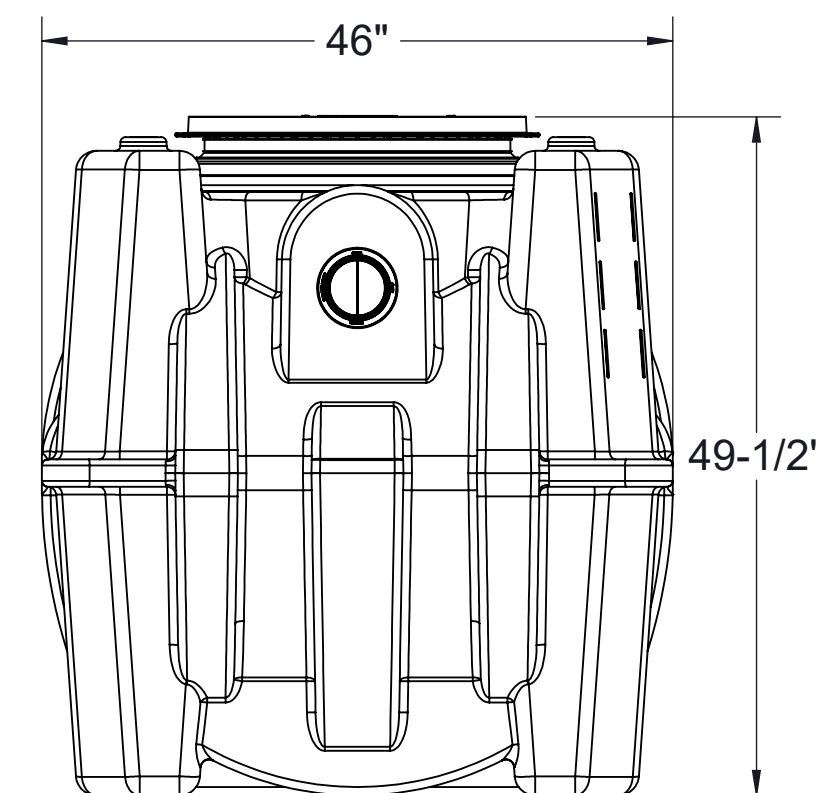
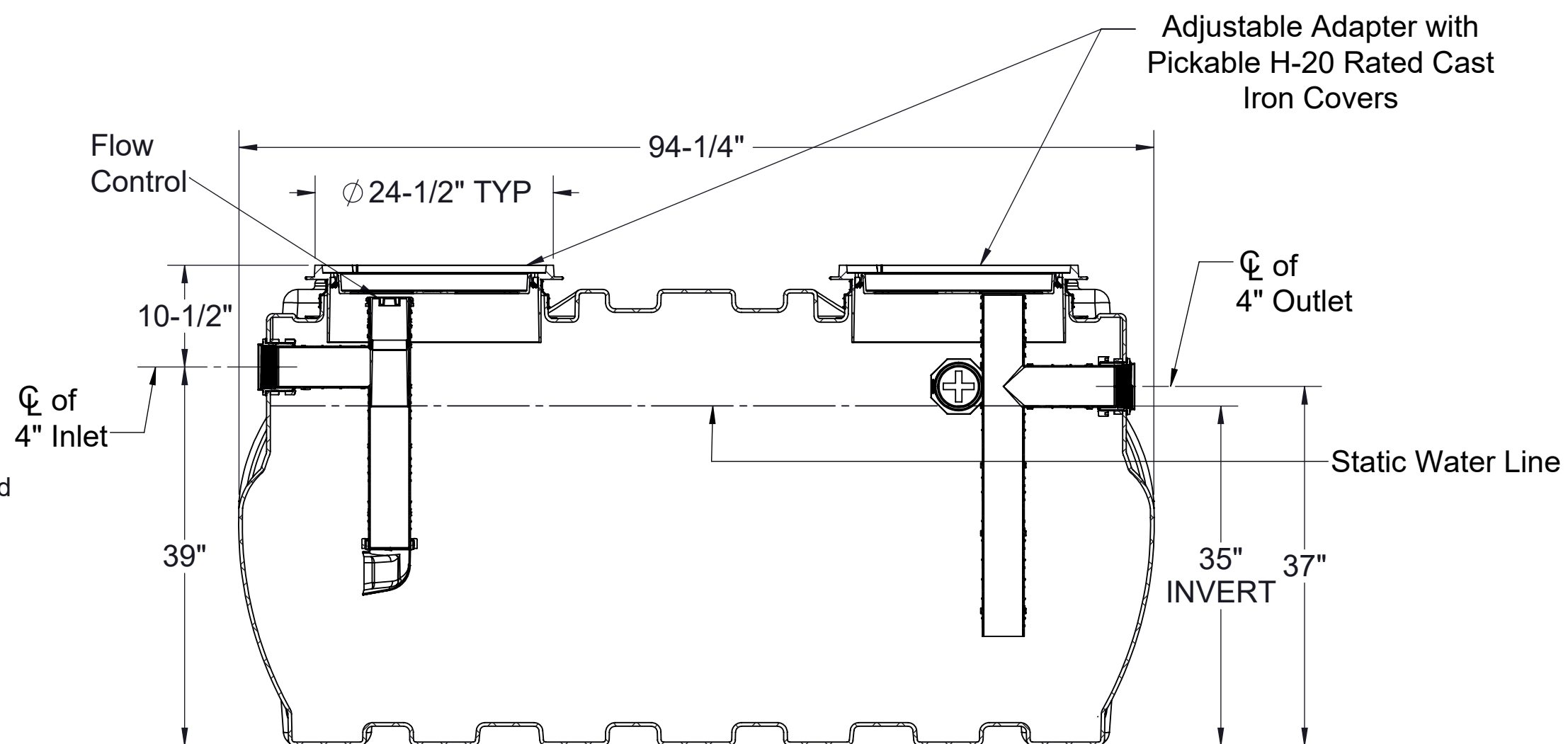
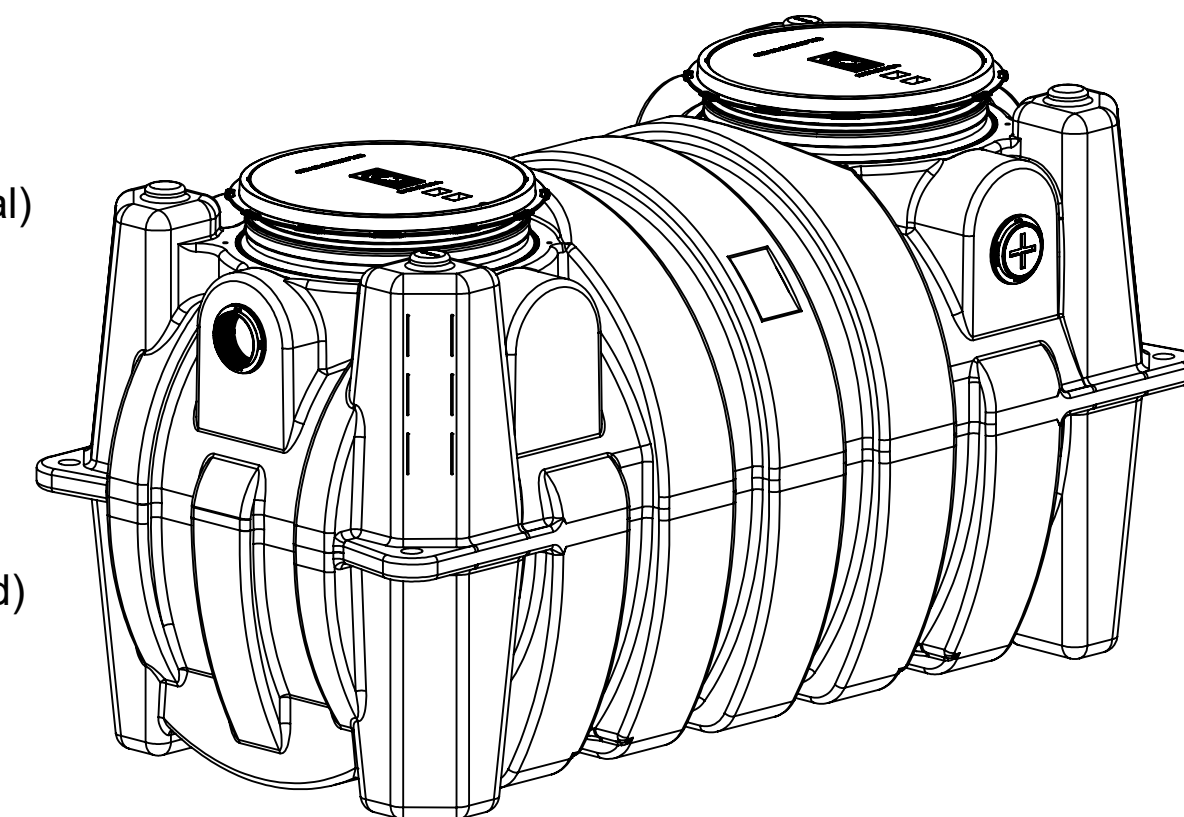
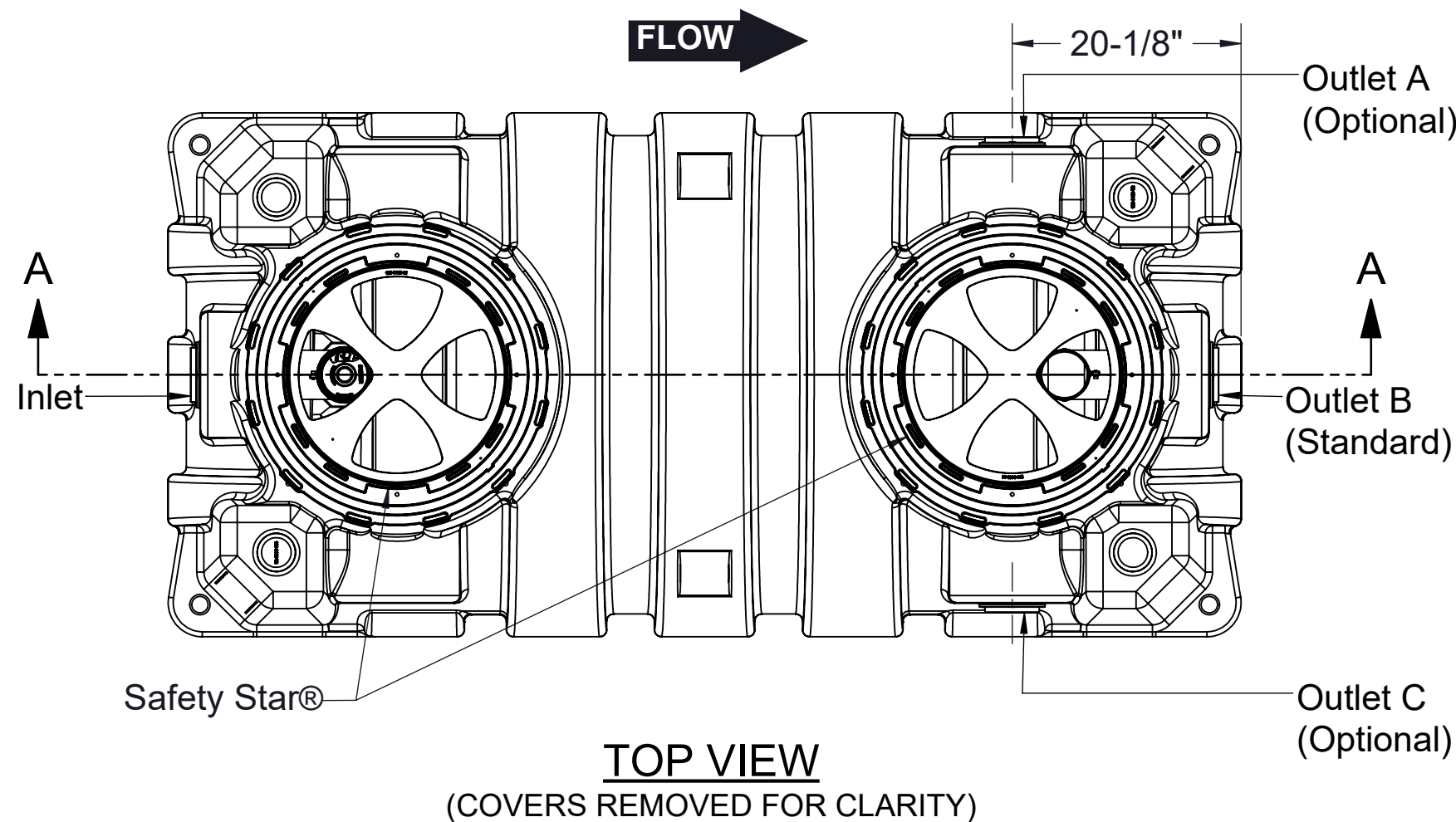
1. 4" FPT inlet/outlet with 4" plain end adapters, single inlet and triple outlet.
2. Unit weight - w/ cast iron covers: 528 lbs. (For wet weight add 4,254 lbs.)
3. Maximum operating temperature: 150° F continuous
4. Capacities - Liquid: 510 gal.  
Grease: 3,048 lbs. (417 gal.) @100 GPM  
Solids: 128 gal.
5. Built-in flow control. For series installations, only install flow control on the first unit in the series if necessary.
6. For gravity drainage applications only.
7. Do not use for pressure applications.
8. Cover placement allows full access to tank for proper maintenance.
9. Vent not required unless per local code.
10. Engineered inlet and outlet diffusers with inspection ports are removable to inspect / clean piping.
11. Integral air relief / Anti-siphon / Sampling access.
12. Adjustable cover adapters provide up to 4" of additional height.
13. Designed for below-grade, above-grade, indoor or outdoor installations.
14. Safety Star®, access restrictor built into each cover adapter, prevents accidental entry to tanks (450 lb rating).

**ENGINEER SPECIFICATION GUIDE**

Schier Great Basin™ grease interceptor model # GB-500 shall be lifetime guaranteed and made in USA of seamless, rotationally-molded polyethylene with minimum 7/16" uniform wall thickness. Flow control cartridge shall be PVC. Interceptor shall be furnished for above or below-grade installation with adjustable cover adapter, Safety Star® access restrictor built into each cover adapter, and three outlet options. Interceptor shall be certified to ASME A112.14.3 (Type C) and CSA B481.1. Interceptor flow rate shall be 100 GPM. Interceptor grease capacity shall be 3,048 lbs. Cover shall provide water/gas-tight seal and have minimum 16,000 lbs. load capacity.

**CERTIFIED PERFORMANCE**

Great Basin™ hydromechanical grease interceptors are third party performance-tested and listed by IAPMO to ASME #A112.14.3 and CSA B481.1 grease interceptor standards and greatly exceed requirements for grease separation and storage. They are compliant to the Uniform Plumbing Code and the International Plumbing Code.



**SPECIFICATION SHEET**

**MODEL NUMBER:**

**GB-500**

**PART NUMBER:** 4075-001-01

**DESCRIPTION:**

GB-500 GREASE INTERCEPTOR 100 GPM, 4" INLET/OUTLET, H-20 RATED CAST IRON COVERS

PROPRIETARY AND CONFIDENTIAL

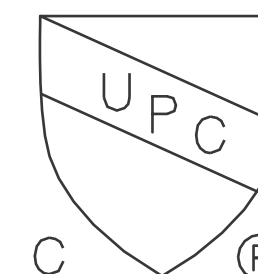
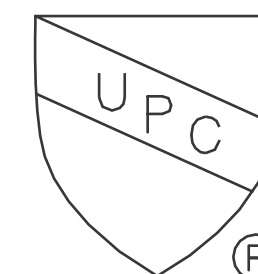
THE INFORMATION CONTAINED IN THIS DRAWING IS THE SOLE PROPERTY OF SCHIER PRODUCTS. ANY REPRODUCTION IN PART OR AS A WHOLE WITHOUT THE WRITTEN PERMISSION OF SCHIER PRODUCTS IS PROHIBITED.

**DWG BY:** C. BUSENITZ

**DATE:** 4/14/2022

**REV:** -

**ECO:** -



**SCHIER**

6455 Woodland Dr  
Shawnee, KS 66218  
Tel: 913-951-3300  
Fax: 913-951-3399  
schierproducts.com