

# UNIVERSAL BRACKETING SYSTEM

## 523-16 SERIES

PowerBar™

### SPECIFICATION

Sioux Chief 523-16 Series PowerBar™ universal bracketing system shall be used where necessary for supporting tube or stub outs in residential and commercial applications. Bracket shall be corrosion resistant and designed to adjust telescopically from 9"–16" and include dual fastening tabs on each end. Pilot holes shall be provided on three sides of the bracket measuring .1". Bracket shall include UV-resistant adjustable Touchdown™ clamps with elastomer inserts for securing and supporting tube, pipe, plastic or steel conduit. Bracketing system shall be compatible with copper, PEX and CPVC and IAPMO certified.

### INSTALLATION

Adjust bracket telescopically to fit between studs/joists and maintain a minimum overlap of 2" in center. Fasten all four tabs to building member. Slide Touchdown™ clamps to desired position. Place tube between clamp posts. Ratchet bridge evenly over both posts. Bow the bridge to prevent lateral movement. Fastening one bracket section directly to the building structure as a pipe organizer is acceptable.

### MATERIALS

**Bracket:** 20-ga. galvanized steel

**Channel clamp and bridge:** nylon 66, UL-94 V2

**Clamp insert:** TPE

**Screws:** #8 × 1" zinc-plated, pan-head Phillips with drill tip

### SAFE WORKING LOAD\*

#### Bracket span

9"	90 lbs (max)
12"	82 lbs.
15"	66 lbs. (min)

\*When adjusting, a 2" overlap in center of bracket is required

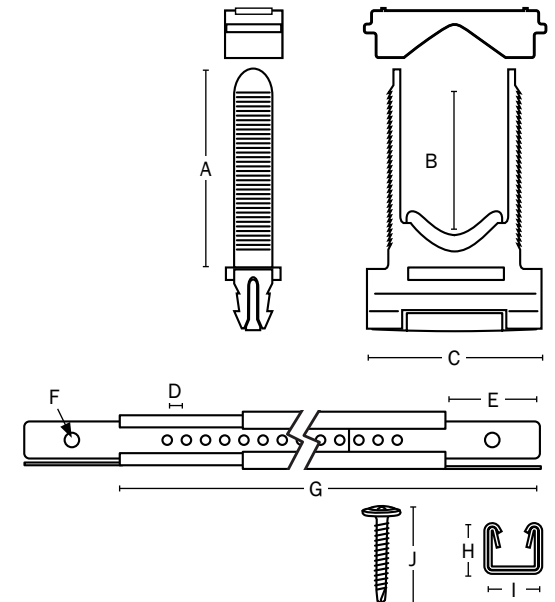
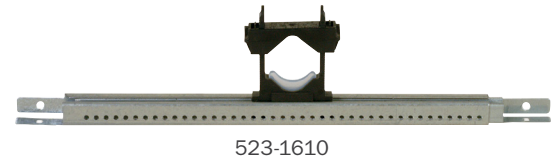
### TEMPERATURE RATING

Channel clamps	Safe load
-10°–130°F	70 lbs (max)
131°–179°F	38 lbs.
180°–220°F	12 lbs. (min)

### DIMENSIONS

A: channel clamp post	1 <sup>7</sup> / <sub>8</sub> "
B: clamping range	¼"-1 <sup>1</sup> / <sub>8</sub> "
C: channel clamp base	1 <sup>7</sup> / <sub>8</sub> "
D: pilot hole centerline	0.203"
E: tab length	1"
F: tab hole diameter	0.15"
G: outer/inner bracket length	9"
H: bracket height	0.529"
I: bracket width	0.602"
J: screw length	1"

ITEM # SUBMITTED _____
JOB NAME _____
LOCATION _____
ENGINEER _____
CONTRACTOR _____
PO# _____ TAG _____



Made in USA

## Create Item Number

### 523-16A

e.g. **523-1624:** 9"–16" adjustable bracket with two clamps and four screws.

#### BRACKET CONFIGURATION A

_ = no clamps; no screws	<b>04</b> = no clamps; six screws
<b>10</b> = one clamp; no screws	<b>14</b> = one clamp; four screws
<b>20</b> = two clamps; no screws	<b>24</b> = two clamps; four screws
<b>30</b> = three clamps; no screws	<b>34</b> = three clamps; four screws