

Submittal Data

PROJECT:	UNIT TAG:	QUANTITY:
REPRESENTATIVE: _____	TYPE OF SERVICE:	DATE: _____
ENGINEER:	SUBMITTED BY:	DATE:
CONTRACTOR:	APPROVED BY:	DATE:
	ORDER NO.:	DATE:

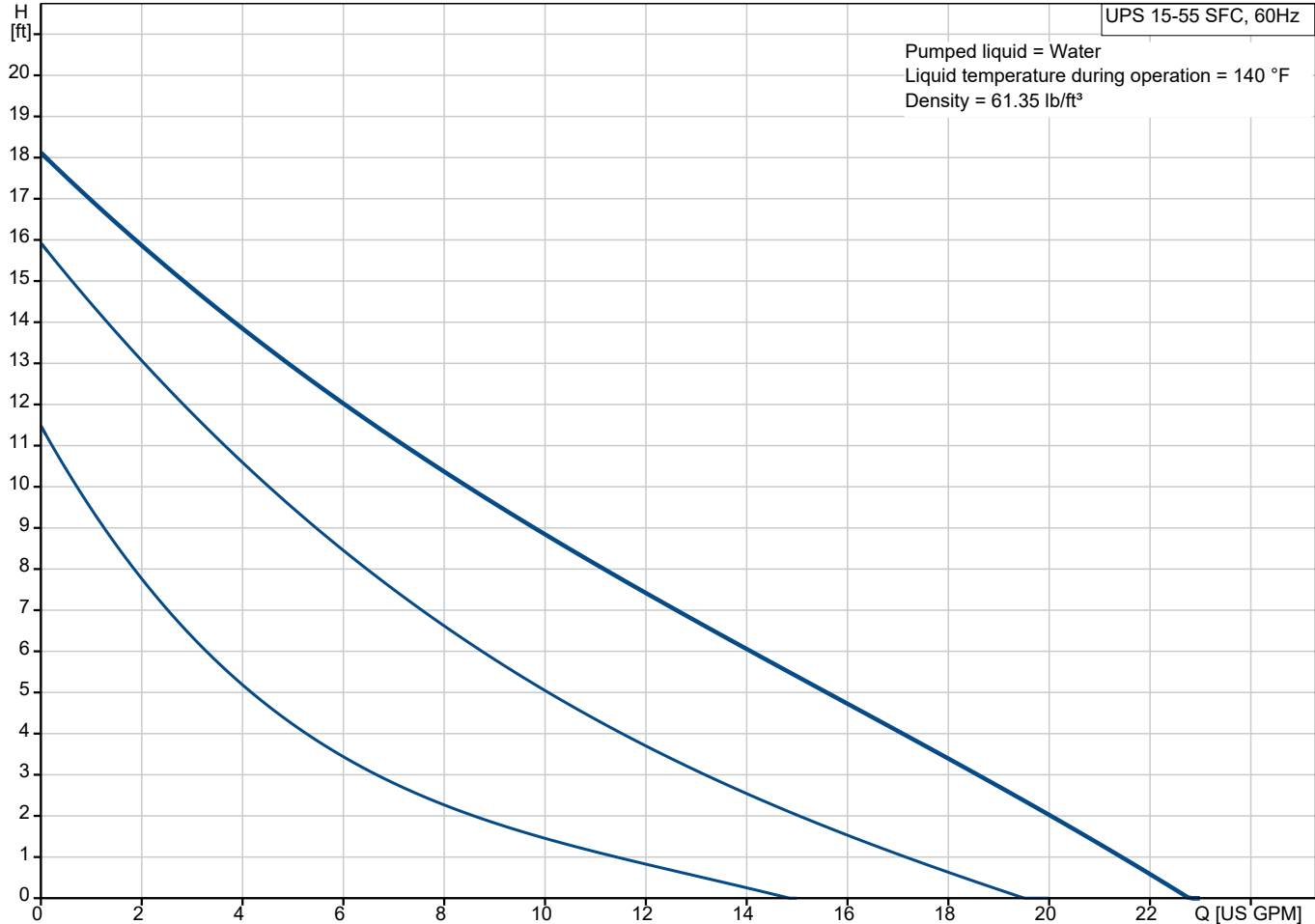


UPS 15-55 SFC

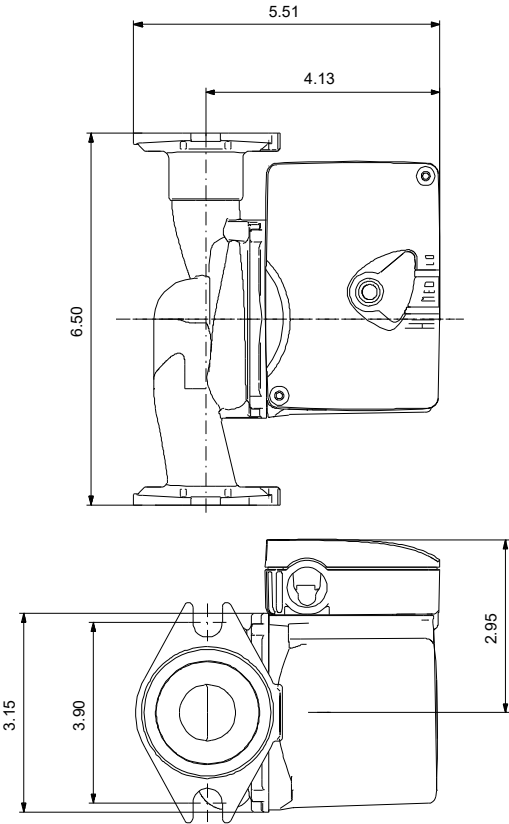
UPS N is a three-speed circulator pump with a corrosion-free stainless-steel pump housing which is recommended for domestic hot-water recirculation and underfloor heating systems.

Note! Product picture may differ from actual product

Conditions of Service		Pump Data		Motor Data	
Liquid:	Water	Liquid temperature range:	35.6 .. 230 °F	Max. power input:	87 W
Temperature:	140 °F	Maximum ambient temperature:	104 °F	Mains frequency:	60 Hz
Specific Gravity:	0.985	Type of connection:	S.S. Flange	Thermal protection:	IMP.
		Pipe connection:	2-BOLT FLANGE		
		Product number:	59896773		



Submittal Data



Materials:
Pump housing: Stainless steel
Pump housing: AISI 304
Impeller: Composite

Qty. Description

1 UPS 15-55 SFC



Note! Product picture may differ from actual product

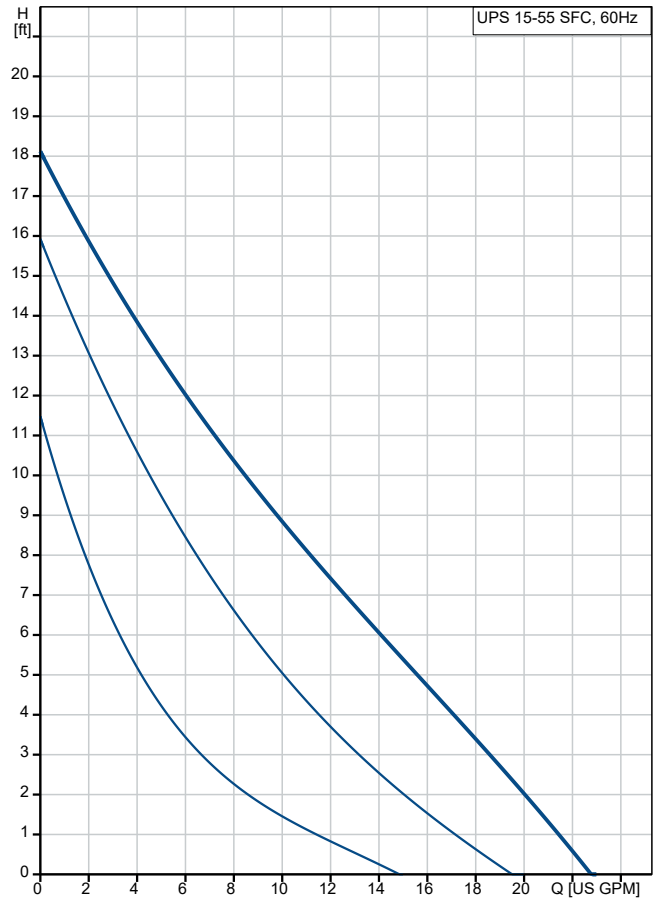
Product No.: [59896773](#)

Grundfos UPS N circulator pumps have a corrosion-free stainless-steel pump housing and are recommended for domestic hot-water recirculation and underfloor heating systems. UPS N can be connected to an on/off time switch to limit pump operation to periods when hot water is usually required.

The pump is of the canned rotor type, i.e. pump and motor form an integral unit without shaft seal and with only two gaskets for sealing. The bearings are lubricated by the pumped liquid. The pump is characterized by:

- Ceramic shaft and radial bearings.
Carbon axial bearing.
Stainless steel rotor can and bearing plate.

Description	Value
General information:	
Product name:	UPS 15-55 SFC
Product No:	59896773
EAN number:	5700837414449
Price:	
Technical:	
Speed no:	3
Rated flow:	11.1 US GPM
Max flow:	25.1 US GPM
Rated head:	8.042 ft
Maximum head:	18.05 ft
Approvals:	UL, CSA
Y = pump with built-in isolating and non-return valves:	
Materials:	
Pump housing:	Stainless steel
Pump housing:	AISI 304
Pump housing:	EN 1.4308
Impeller:	Composite
Impeller:	PES+30% GF
Installation:	
Maximum ambient temperature:	104 °F
Amb. max at 80 dgr C liquid:	176 °F
Maximum operating pressure:	145.04 psi
Type of connection:	2-BOLT FLANGE
Type of connection:	S.S. Flange
Pipe connection:	2-BOLT FLANGE
Pressure rating for connection:	PN 10
Port-to-port length:	6 1/2 in
Liquid:	
Pumped liquid:	Water
Liquid temperature range:	35.6 .. 230 °F
Selected liquid temperature:	140 °F
Density:	61.35 lb/ft ³
Electrical data:	
Power input in speed 1:	0.0778 HP
Power input in speed 2:	77 W
Max. power input:	87 W
Mains frequency:	60 Hz
Rated voltage:	1 x 115 V
Current in speed 1:	0.53 A
Current in speed 2:	0.69 A
Current in speed 3:	0.75 A
Capacitor size - run:	10 µF/180 V
Number of poles:	2
Insulation class (IEC 85):	F
Built-in motor protection:	CONTACT
Thermal protec:	IMP.
Others:	
Terminal box position:	9H
Net weight:	5.44 lb
Gross weight:	5.96 lb
Country of origin:	US
Custom tariff no.:	8413.70.2005



Pumped liquid = Water
 Liquid temperature during operation = 140 °F
 Density = 61.35 lb/ft³