

**MATERIAL SPECIFICATIONS**

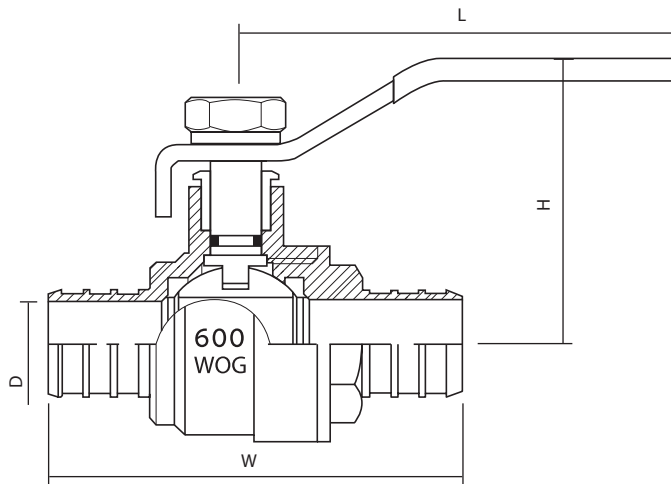
Part Name	Material
Body	Lead Free Brass
Seat	PTFE
Ball	SS304
Stem O-Ring	NBR
Packing Nut	Brass
Stem	Brass
Lock Nut	Ferrum/Zinc Plated
Lock Washer	Ferrum/Zinc Plated
Packing	PTFE
Handle	Ferrum/Chrome Plated
Cap	Lead Free Brass

Lead Free, Brass Ball Valves PEX \* PEX

**Features & Benefits**



- Dezincification Resistant (DZR) Lead Free Brass Material
- PEX end Conform to ASTM F1807
- Forged Brass Body
- Blow Out Proof Stem Design
- Packing Nut & O-Ring & Packing on the Stem Seal
- Stainless Steel Ball
- Handle With Vinyl Grip
- 600 psi (WOG) 150 psi (WSP) Service
- Temperature Range : -20° F to 300° F



**DIMENSIONS**

Part#	Size	D	L	H	W	Cv	Wt.(lbs)
600P012-NL	1/2"	0.354	3.46	1.64	2.44	2.67	0.407
600P034-NL	3/4"	0.531	3.46	1.81	2.58	15.02	0.683
600P001-NL	1"	0.713	4.29	2.09	3.17	27.01	-