

FULL PORT • SWEAT ENDS • LEAD FREE

Features

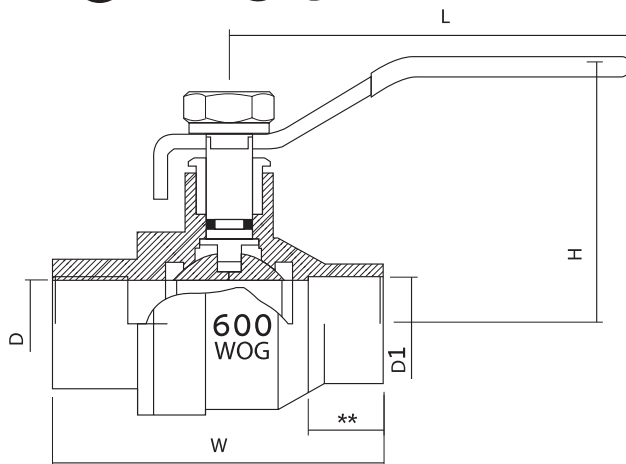
- Lead free brass
- Forged brass body
- Blow-out proof stem design
- Packing nut, o-ring and packing on the stem seal
- Stainless steel ball
- Handle with vinyl grip

Specifications & Approvals

600 psi WOG 150 psi WSP

Temperature Range: -20°F to 300°F

- Sweat end conforms to: ASME B16.22
- Approved to: UL 842, UL 125, Per FM1140, Per NSF/ANSI-61, NSF/ANSI-372, IGC-157
- Conforms to MSS SP-110 and ASME A1124.14



Dimensions

Part#	Size	D	L	H	W	D1	**	Cv	Wt
610C012-NL	1/2"	0.591	3.46	1.81	2.17	0.63	0.504	18.55	0.403
610C034-NL	3/4"	0.748	4.29	2.09	2.81	0.878	0.748	29.76	0.670
610C001-NL	1"	0.984	4.29	2.25	3.34	1.13	0.909	51.55	1.034
610C114-NL	1-1/4"	1.259	5.63	2.52	3.91	1.378	0.972	84.42	1.585
610C112-NL	1-1/2"	1.574	5.63	2.74	4.46	1.63	1.091	131.93	2.280
610C200-NL	2"	1.949	5.63	3.03	5.45	2.13	1.343	200.35	3.481
610C250-NL	2-1/2"	2.520	7.76	4.25	6.42	2.63	1.484	338.43	6.715
610C300-NL	3"	2.894	8.19	4.58	7.15	3.13	1.669	445.44	8.655
610C400-NL	4"	3.839	9.25	5.49	9.57	4.13	2.232	783.88	17.419

Material Specifications

Part Name	Material
Body	Lead Free Brass
Seat	PTFE
Ball	SS304
Packing Nut	Brass
Stem	Brass 1/2" - 2"
Stem	SS304 2-1/2" - 4"
Lock Nut	Ferrum / Zinc Plated
Lock Washer	Ferrum / Zinc Plated
Packing	PTFE
Handle	Ferrum / Chrome Plated
Cap	Lead Free Brass
Stem O-Ring	NBR