

759MFLF Ball Valve • Spec Sheet

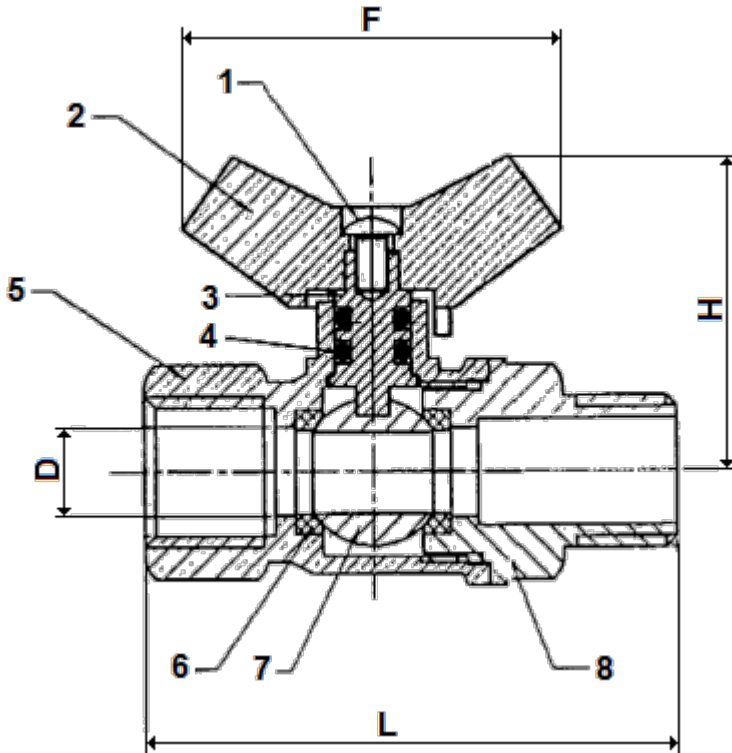


FEATURES & BENEFITS

- Lead Free Brass*
 - ISO-9001
 - 600 WOG
 - Full Port
 - Ball Valve with Tee Handle
 - MIP x FIP
- 759MF01TLF - 1/4"
 759MF00TLF - 1/8"
 759MF0001TLF - 1/8" x 1/4"

DIMENSIONS

Size	L	H	F	D
1/4"	1.81	1.10	1.34	Ø0.30
1/8"	1.81	1.10	1.34	Ø0.30
1/8" x 1/4"	1.81	1.10	1.34	Ø0.30



MATERIAL SPECIFICATIONS

No.	Part	Material
1	Screw	Zinc Plated Steel
2	Handle	Aluminum Alloy
3	Stem	Brass C89550
4	O-Ring	NBR
5	Body	Brass C89550
6	Seat	PTFE
7	Ball	Brass C89550
8	End Cap	Brass C89550

* These product complies with 0.25% weighted average lead content on wetted surfaces in accordance with Safe Water Drinking Act (SDWA) / Federal Public Law No. 111-380.

