

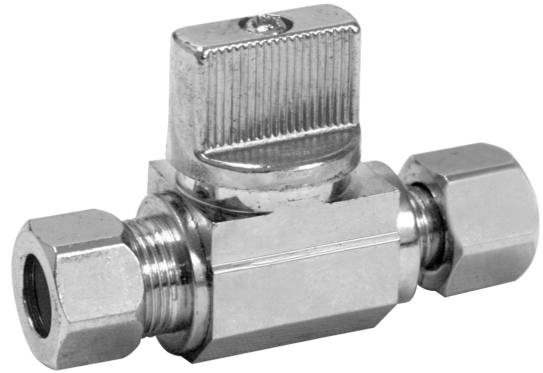
**CHROME PLATED • FIP COMP X MALE COMP • LEAD FREE**

## Features

- Forged & polished chrome plated body
- Quarter Turn operation
- Self lubricating Teflon seals
- Double “O”ring for safety

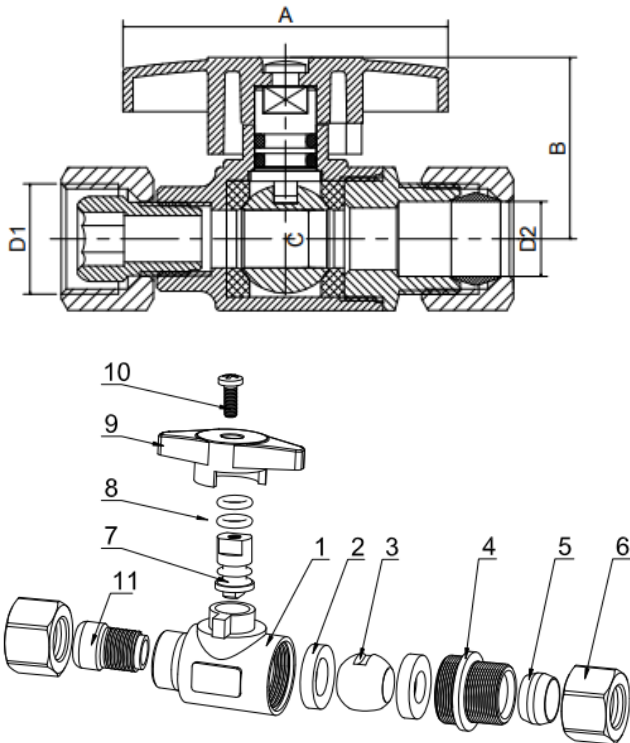
## Specifications & Approvals

Working Pressure 125 psi  
 Available for Copper, Iron, CPVC, PEX tube  
 Comply with ASME A112.18.1,  
 CSA B125.1, NSF/ANSI 61  
 cUPC and NSF61 approved



### Dimensions (Inches)

Part#	Size	A	B	C	D1	D2
82338PR-NL	3/8" x 3/8"	1.654	0.923	0.295	9/16-24UNEF	0.382



### Material Specifications

Part Name	Material
1. Body	Lead Free Brass
2. Seat	PTFE
3. Ball	Lead Free Brass
4. Bonnet	Lead Free Brass
5. Fitting	Lead Free Brass
6. Nut	Brass
7. Stem	Brass
8. O-Ring	EPDM
9. Handle	Zn
10. Lock Nut	SS304
11. Fitting	Lead Free Brass