

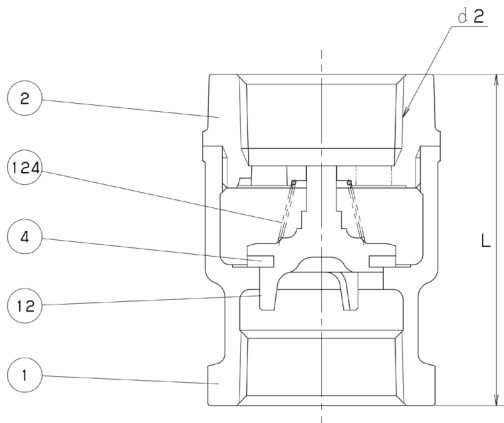
LEAD-FREE COPPER ALLOY LIFT CHECK

250CWP BRONZE

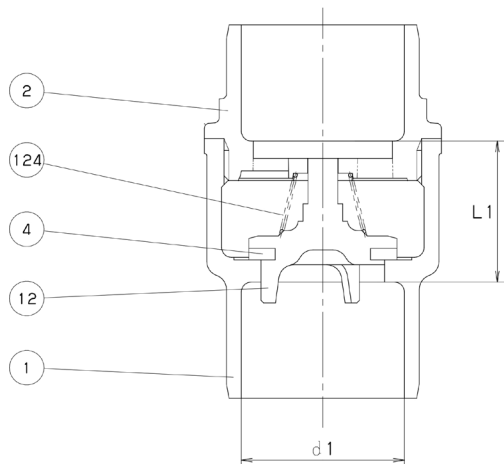
Silent Type • Spring Loaded Vertical Lift Check • Renewable FKM Disc

*NSF/ANSI 61G & NSF/ANSI 372

CODE #836 (AKAFN) THREADED (½"-2")



CODE #826 (CAFN) SOLDER (½"-2")



STANDARDS

END TO END	KITZ STD.
THREADED ENDS	ASME B1.20.1
SOLDER ENDS	ASME B16.18
DESIGN	KITZ STD.

PRESSURE - TEMPERATURE

250 PSI NON-SHOCK COLD WORKING PRESSURE (CWP)
175 PSI @ 176°F - MAX PRESSURE/TEMP. RATING

MATERIAL LIST

NO.	NAME OF PART	SPECIFICATION
1	BODY	LF CAST BRONZE (C89530)
2	CAP	LF CAST BRONZE (C89530)
4	DISC	FKM
12	DISC HOLDER	LF CAST BRONZE (C89530)
124	SPRING	PHOSPHOR BRONZE

DIMENSIONS & WEIGHTS

SIZE d2		L	L1	d1		Wt. Lb/Kg	Crtn Qty
				Max	Min		
in	½	2.09	1.40	0.631	0.627	0.38	160
mm		53.0	35.6	16.0	15.9	0.2	
in	¾	2.32	1.48	0.881	0.877	0.56	96
mm		59.0	37.6	22.4	22.3	0.3	
in	1	2.64	1.68	1.132	1.128	0.86	72
mm		67.0	42.7	28.8	28.7	0.4	
in	1¼	3.07	1.88	1.382	1.378	1.25	48
mm		78.0	47.8	35.1	35.0	0.6	
in	1½	3.31	2.15	1.633	1.628	1.78	36
mm		84.0	54.6	41.5	41.4	0.8	
in	2	3.86	2.52	2.133	2.128	2.88	24
mm		98.0	64.0	54.2	54.1	1.3	



Certified to
NSF/ANSI 61-G

*Product complies with NSF/ANSI Standard 61 Annex G, NSF/ANSI Standard 372 and conforms with lead content requirements for "lead free" plumbing as defined by California, Vermont, Maryland, and Louisiana state laws and the U.S. Safe Drinking Water Act that went into effect January 2014.