

# ADJUSTABLE FLOOR CLEANOUT

## » 854 SERIES

### SPECIFICATION

Sioux Chief 854 Series coated cast iron adjustable floor cleanout with round or square vandal resistant secured cover and threaded plug.  
Designed in accordance with ASME A112.36.2M

General purpose floor cleanout for use in finished or unfinished areas where access to DWV system is required for service/maintenance.

### MATERIALS

**Cleanout body:** cast iron  
**Plug:** ABS (standard), brass (optional)  
**Head/cover:** ductile iron, nickel-bronze, stainless steel

### DIMENSIONS

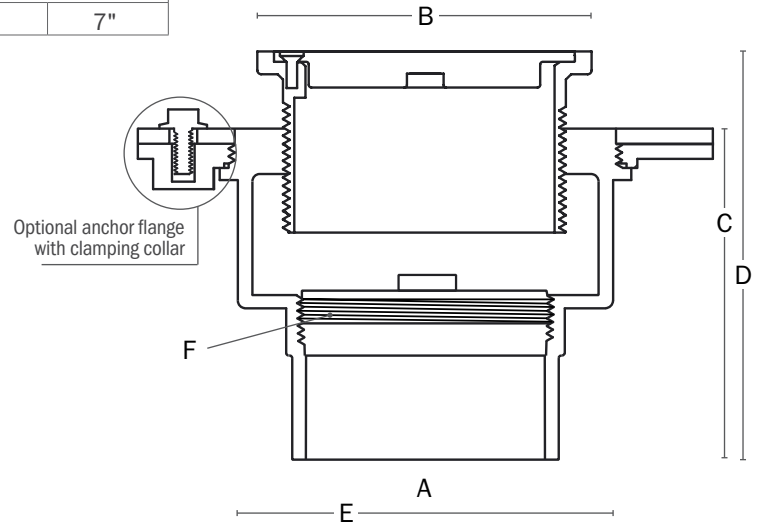
<b>A:</b> Connection size	2"	3"	4"	6"	8"
<b>B:</b> Top diameter/width					
Iron / NB / SS	5.25"		8.25"	9.25"	
Iron with veneer	5.63"		8.75"	9.75"	
<b>C:</b> Body height	5.7"		6.3"		
<b>D:</b> Overall height <sup>1</sup>					
Iron / NB / SS	5.63" - 7.63"		7.63" - 9.63"		
Iron with veneer	5.81" - 7.81"		7.81" - 9.81"		
<b>E:</b> Body diameter	6.2"		8.6"		
<b>F:</b> Plug/thread	2"	3"	3.5"	6"	7"

### LOAD RATING

**Ductile iron\*:** Extra heavy-duty (7,500 - 10,000 lbs).  
**Nickel-bronze:** Medium-duty (2,500 - 5,000 lbs).  
**Stainless steel:** Medium-duty (2,500 - 5,000 lbs).

\* with or without veneer

ITEM # SUBMITTED	_____
JOB NAME	_____
LOCATION	_____
ENGINEER	_____
CONTRACTOR	_____
PO#	_____ TAG _____



### Create Item Number

## 854-ABCD

e.g. 854-24NQC: Cast iron cleanout - 4" No-Hub connection, round NB head/cover with flange and collar

#### CONNECTION TYPE A

2 = No-Hub outlet  
6 = Push-Joint outlet

#### CONNECTION SIZE B

2 = 2"  
3 = 3"  
4 = 4"  
6 = 6"  
8 = 8"

#### HEAD/COVER TYPE C

I = Ductile iron - round  
IQ = Ductile iron - square<sup>1</sup>  
NR = Nickel-bronze - round<sup>1</sup>  
NQ = Nickel-bronze - square<sup>1</sup>  
SR = Stainless steel - round<sup>1</sup>  
IN = Ductile iron with NB veneer - round  
INQ = Ductile iron with NB veneer - square<sup>1</sup>  
IS = Ductile iron with SS veneer - round

#### OPTIONS D

A = Epoxy-coated cast iron  
B = Brass plug in place of ABS  
F = Flange with clamping collar  
C = Nickel-bronze carpet clamp<sup>2</sup>  
M = Carpet marker

1: Not available for models with 6" or 8" connection | 2: Not available for models with stainless steel cover or veneer