

# MAIN ROOF DRAIN

## » 868 SERIES

### SPECIFICATION

Sioux Chief 868 Series 15" diameter roof drain with No-Hub connection. Coated cast iron body with combination membrane flashing clamp/gravel guard and vandal-resistant, low profile dome strainer. Designed in accordance with ASME A112.6.4

Used on any type of flat roofs. Low profile dome prevents debris from entering the drain line. The anchor flange and membrane clamp provide a secure grip of membrane and roof flashing materials.

### MATERIALS

**Dome strainer:** cast iron, ABS, aluminum

**Gravel guard:** cast iron

**Drain body:** cast iron

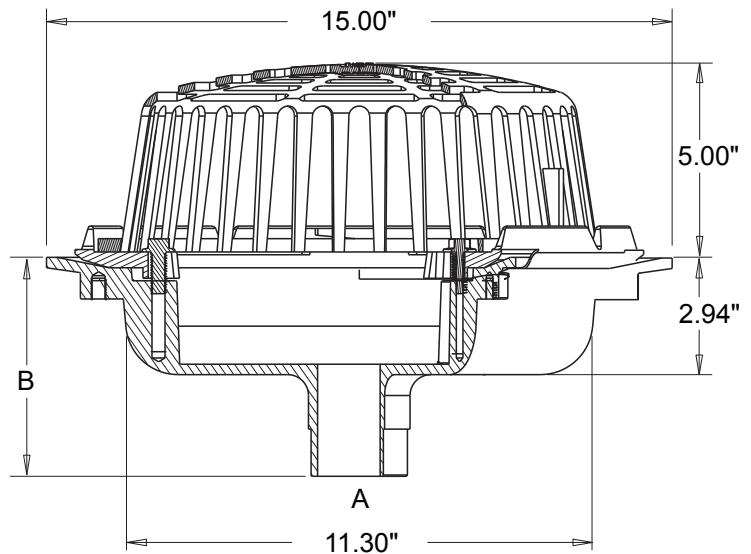
### DIMENSIONS

<b>A:</b> Connection - No-Hub	3"	4"	6"	8"
<b>B:</b> Body height	4.60"	4.60"	5.25"	5.25"

### STRAINER FREE-AREA

105.3 in<sup>2</sup>

ITEM # SUBMITTED	_____
JOB NAME	_____
LOCATION	_____
ENGINEER	_____
CONTRACTOR	_____
PO#	_____ TAG _____



### Create Item Number

## 868-ABC

e.g. **868-523BSC**: Roof drain with 3" No-Hub connection, ABS dome, sump receiver and under-deck clamp kit

#### CONNECTION **A**

**523** = 3" No-Hub  
**524** = 4" No-Hub  
**526** = 6" No-Hub  
**528** = 8" No-Hub

#### DOMESTRAINER **B**

Cast iron dome is standard  
**B** = ABS dome  
**A** = Aluminum dome

#### OPTIONS **C**

<b>9</b> = Side-outlet connection <sup>1</sup>	<b>2</b> = 2" high SS perf. extension
<b>4</b> = 4" high SS perf. extension	<b>P</b> = Top-mount sump receiver <sup>3</sup>
<b>S</b> = Sump receiver	<b>C</b> = Under-deck clamp kit
<b>E</b> = Adjustable extension	<b>G</b> = 2" high SS perf. gravel guard
<b>H</b> = 4" high internal water dam <sup>2</sup>	<b>W</b> = 2" high external water dam
<b>D</b> = 6" high SS perf. dome cover with removable top	

<sup>1</sup> Not available for 6" or 8" roof drains | <sup>2</sup> Internal water dam can be cut/shortened by contractor as needed or per specifications | <sup>3</sup> Includes sump receiver plate and drain-to-plate attachment hardware