

Submittal Data

PROJECT:	UNIT TAG:	QUANTITY:
REPRESENTATIVE: _____	TYPE OF SERVICE:	DATE: _____
ENGINEER:	SUBMITTED BY:	DATE:
CONTRACTOR:	APPROVED BY:	DATE:
	ORDER NO.:	DATE:

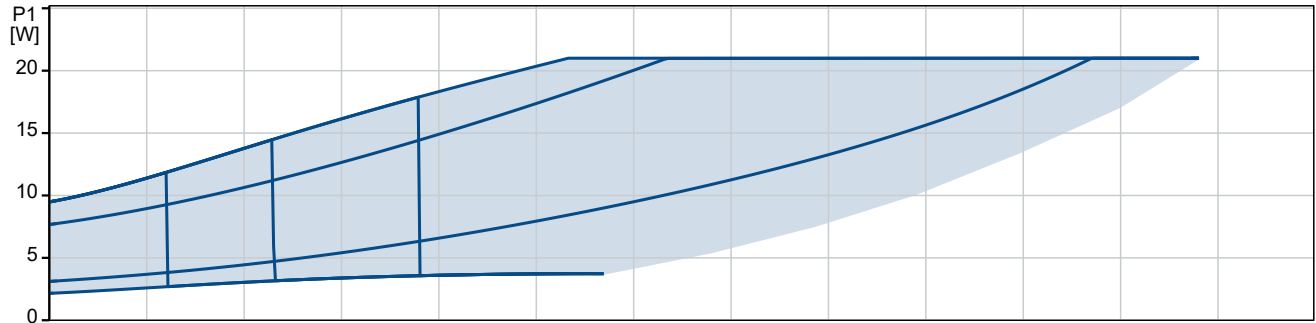
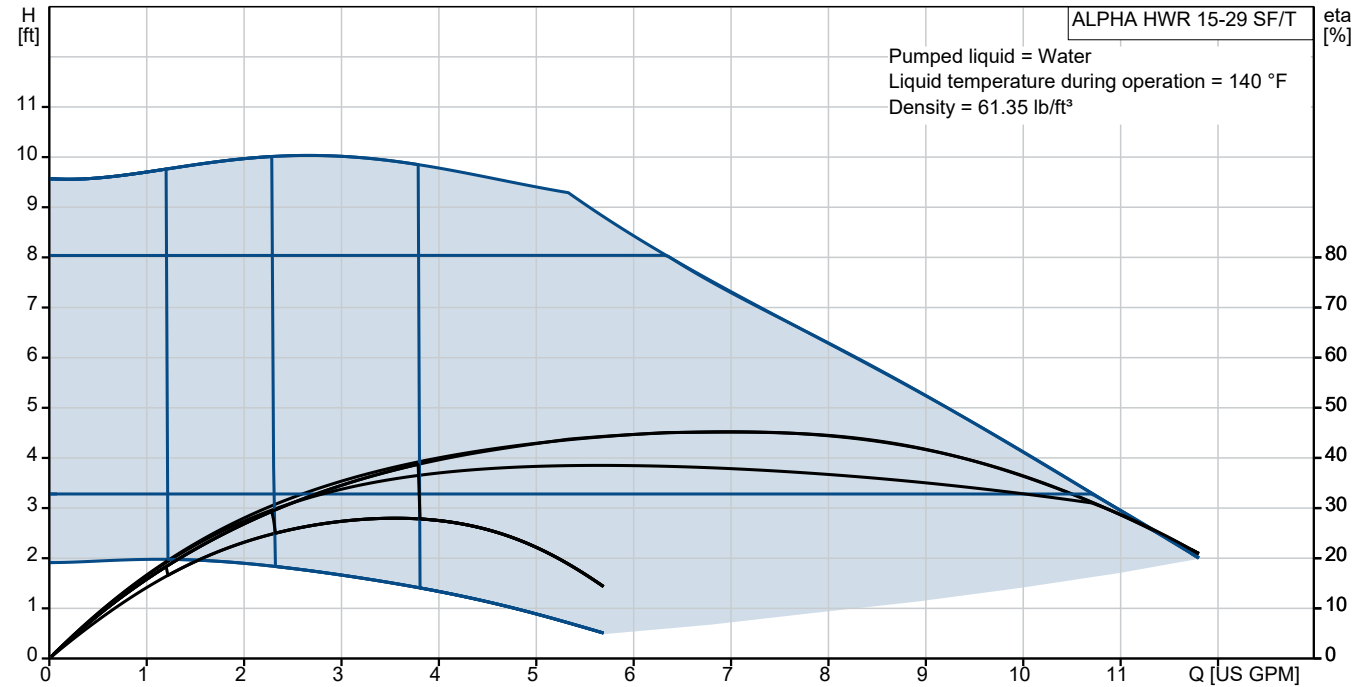


ALPHA HWR 15-29 SF/T

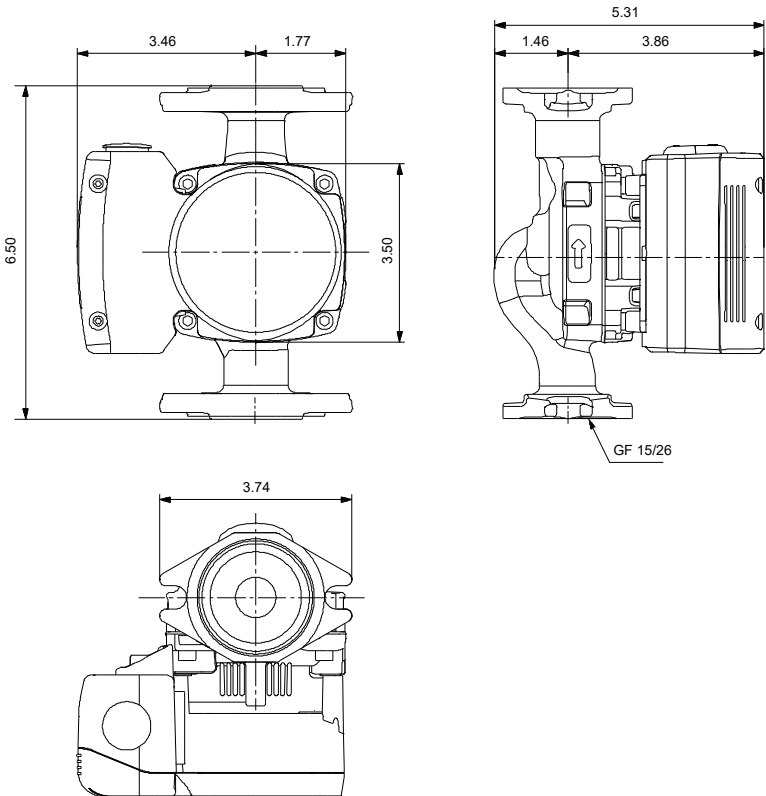
ALPHA HWR is designed for domestic hot water recirculation systems with a dedicated return line. It features an integrated estimator for temperature estimation and scheduling via the built-in digital timer.

Note! Product picture may differ from actual product

Conditions of Service		Pump Data		Motor Data	
Liquid:	Water	Liquid temperature range:	35.6 .. 203 °F	Mains frequency:	60 Hz
Temperature:	140 °F	Maximum ambient temperature:	131 °F		
Specific Gravity:	0.985	Product number:	92603112		



Submittal Data



Materials:
Pump housing: Stainless steel
Pump housing: ASTM A351-CF8
Impeller: Composite

Qty. Description

1 ALPHA HWR 15-29 SF/T



Note! Product picture may differ from actual product

Product No.: [92603112](#)

ALPHA HWR 15-29 SF/T is a high-efficiency circulator fitted with a stainless-steel housing. It is designed for circulating domestic hot water in systems with a dedicated return line.

It features an integrated digital timer which enables scheduling through the Grundfos GO app and eliminates the need for a physical programmable timer. It also features the ability for the homeowner to set their own schedule through the Grundfos HOME App.

With the use of its integrated temperature estimator, ALPHA HWR helps reduce complexity during installation as an external temperature sensor is no longer needed.

The AUTOADAPT setting offers a simplified setup process removing the need to decide what setpoint to use.

With FLOWSENSE, ALPHA HWR can solve a number of challenges commonly found in domestic hot-water recirculation systems.

By using flow limits, ALPHA HWR reduces the risk of flow-accelerated corrosion in the recirculation pipes by reducing the flow velocities while still providing enough flow to start the most common tankless boilers.

Description	Value
General information:	
Product name:	ALPHA HWR 15-29 SF/T
Product No:	92603112
EAN number:	5715116925240
Price:	
Technical:	
Rated flow:	7.26 US GPM
Rated head:	7.218 ft
Pump head orientation:	9H
TF class:	95
Approvals:	FCC,cULus,cULDWus
Model:	B
Materials:	
Pump housing:	Stainless steel
Pump housing:	EN 1.4308
Pump housing:	ASTM A351-CF8
Impeller:	Composite
Impeller:	PESU 30% gf + PESU-GF20%
Installation:	
Range of ambient temperature:	32 .. 131 °F
Maximum operating pressure:	174.92 psi
Type of connection:	2-bolt flange
Size of connection:	GF 15/26
Pressure rating for connection:	PN 12
Port-to-port length:	6 1/2 in
Liquid:	
Pumped liquid:	Water
Liquid temperature range:	35.6 .. 203 °F
Selected liquid temperature:	140 °F
Density:	61.35 lb/ft³
Electrical data:	
P1 min.:	2 W
Max. P1:	21 W
Mains frequency:	60 Hz
Rated voltage:	1 x 115 V
Minimum current consumption:	0.06 A
Maximum current consumption:	0.41 A
Enclosure, Type:	2
Insulation class (IEC 85):	F
Thermal protection:	Electronic
Others:	
Net weight:	5.34 lb
Gross weight:	6 lb
Shipping volume:	0.25 ft³
Sales region:	Namreg
Country of origin:	DK
Custom tariff no.:	8413.70.2005

