

Qty.	Description
------	-------------

1	ALPHA 15-58 F
---	---------------



Note! Product picture may differ from actual product

Product No.: [92603115](#)

ALPHA is a high-efficiency circulator fitted with an electronically commutated motor and designed for circulating liquids in heating systems. The pump features the highest energy rating on the market.

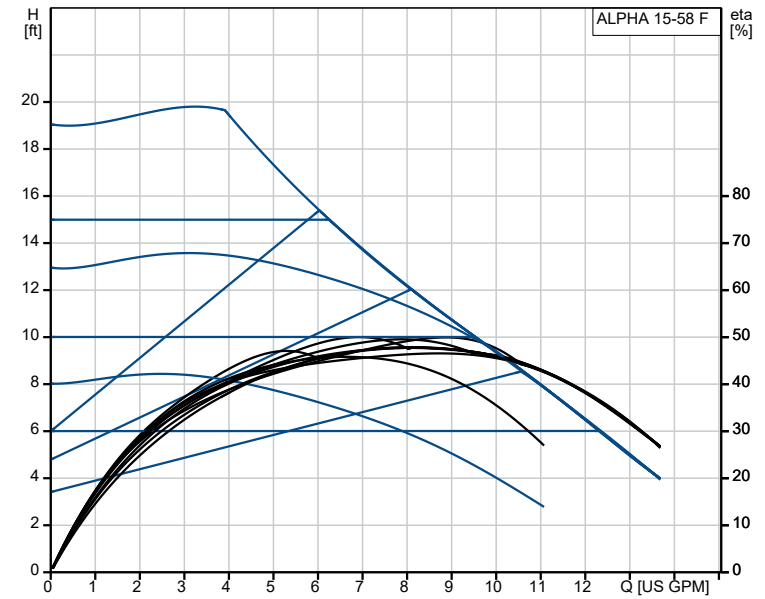
ALPHA is designed with intelligent controls featuring a constant-pressure, proportional-pressure and constant-speed curve, each with three speed settings as well as an AUTOADAPT setting, removing the need to manually select the pump setpoint.

The new toolless, removeable power connector results in fast and easy installation. Fewer callbacks can be expected due to its robust startup, self-venting ability and dry-running protection. A system air detection and venting mode can be activated through the Grundfos Go app.

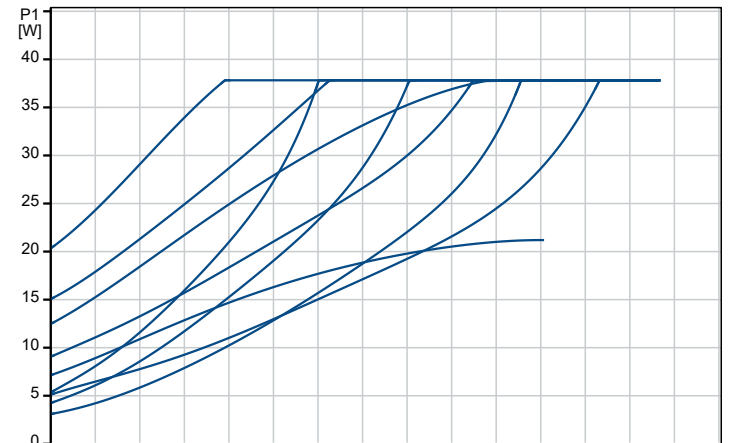
The Grundfos GO app also provides the ability to conveniently troubleshoot your system through the event log, run guided setup, set custom control modes and run firmware updates. Historical trend data for flow, head, media temperature and on-cycle durations is also available through the app.

A terminal box with conduit connections is provided for power connection.

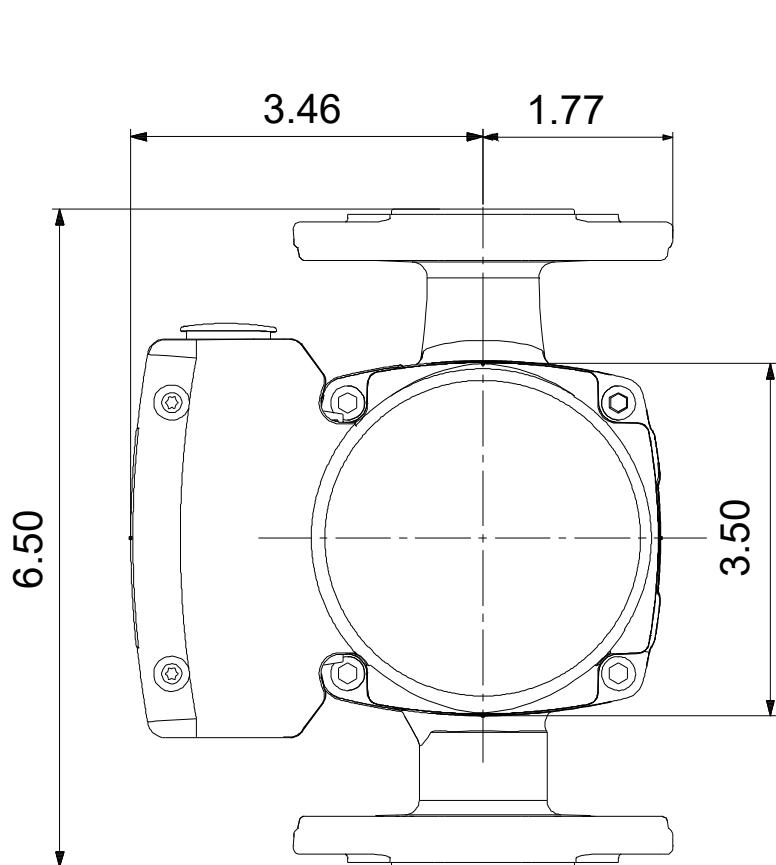
Description	Value
General information:	
Product name:	ALPHA 15-58 F
Product No:	92603115
EAN number:	5715116925271
Price:	
Technical:	
Rated flow:	8.37 US GPM
Rated head:	11.16 ft
TF class:	110
Approvals:	FCC,cULus
Model:	B
Materials:	
Pump housing:	Cast iron
Pump housing:	EN 1561 EN-GJL-150
Pump housing:	ASTM A48-25A
Impeller:	Composite
Impeller:	PESU 30% gf + PESU-GF20%
Installation:	
Range of ambient temperature:	32 .. 131 °F
Maximum permissible operating pressure:	175.0 PSI
Pipe connection:	GF 15/26
Pressure rating for connection:	PN 12
Port-to-port length:	6 1/2 in
Liquid:	
Pumped liquid:	Water
Liquid temperature range:	35.6 .. 230 °F
Selected liquid temperature:	140 °F
Density:	61.35 lb/ft ³
Electrical data:	
P1 min.:	3.4 W
P1 max.:	38 W
Mains frequency:	60 Hz
Rated voltage:	1 x 115 V
Maximum current consumption:	0.71 A
Enclosure, Type:	2
Others:	
Net weight:	5.34 lb
Gross weight:	6 lb
Shipping volume:	0.25 ft ³
Sales region:	Namreg
Country of origin:	DK
Custom tariff no.:	8413.70.2005



Pumped liquid = Water
 Liquid temperature during operation = 140 °F
 Density = 61.35 lb/ft³



92603115 ALPHA 15-58 F 60 Hz



3.74

