

Submittal Data

PROJECT:	UNIT TAG:	QUANTITY:
REPRESENTATIVE: _____	TYPE OF SERVICE:	DATE: _____
ENGINEER:	SUBMITTED BY:	DATE:
CONTRACTOR:	APPROVED BY:	DATE:
	ORDER NO.:	DATE:

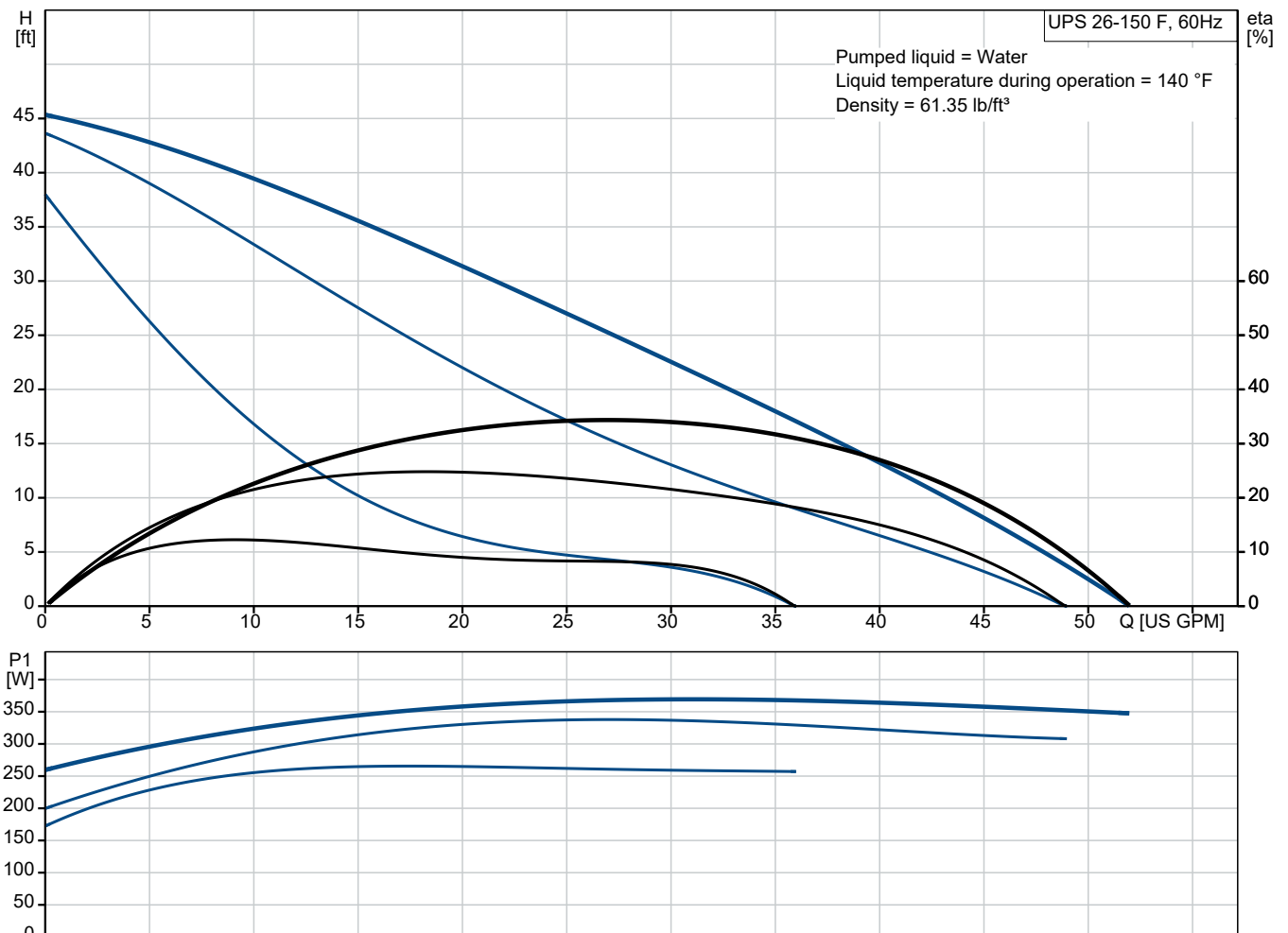
UPS 26-150 F



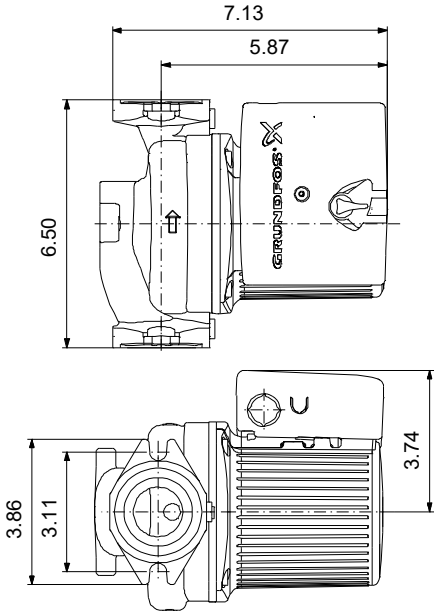
UPS is a three-speed circulator pump designed for heating and air-conditioning systems and is also used for central and district heating systems. The pump provides reliable and maintenance-free operation.

Note! Product picture may differ from actual product

Conditions of Service		Pump Data		Motor Data	
Liquid:	Water	Liquid temperature range:	35.6 .. 230 °F	Max. power input:	370 W
Temperature:	140 °F	Maximum ambient temperature:	104 °F	Mains frequency:	60 Hz
Specific Gravity:	0.985	Pipe connection:	2-BOLT FLANGE	Thermal protection:	internal
		Product number:	95906631		



Submittal Data



Materials:
Pump housing: Cast iron
Pump housing: ASTM A48-30B
Impeller: Composite

Qty. Description

1 UPS 26-150 F



Note! Product picture may differ from actual product

Product No.: [95906631](#)

The pump is of the canned rotor type, i.e. pump and motor form an integral unit without shaft seal and with only two gaskets for sealing.

The bearings are lubricated by the pumped liquid.

The pump has 3-step speed selector.

The pump is characterized by:

- * Ceramic shaft and radial bearings.
- * Carbon axial bearing.
- * Stainless steel rotor can and bearing plate.
- * Corrosion-resistant impeller, Composite.
- * Cast iron pump housing.

The motor is a 1-phase motor.

No additional motor protection is required.

Liquid:

Pumped liquid: Water
 Liquid temperature range: 35.6 .. 230 °F
 Selected liquid temperature: 140 °F
 Density: 61.35 lb/ft³

Technical:

Rated flow: 26.9 US GPM
 Rated head: 25.37 ft
 Approvals: CETL

Materials:

Pump housing: Cast iron
 EN 1561 EN-GJL-200
 ASTM A48-30B
 Impeller: Composite
 PES+30% GF

Installation:

Maximum ambient temperature: 104 °F
 Amb. max at 80 dgr C liquid: 176 °F
 Maximum operating pressure: 145.04 psi
 Type of connection: 2-BOLT FLANGE
 Pipe connection: 2-BOLT FLANGE
 Pressure rating for connection: PN 10
 Port-to-port length: 6 1/2 in

Electrical data:

Power input in speed 1: 0.3554 HP
 Power input in speed 2: 335 W



Company name:

Created by:

Phone:

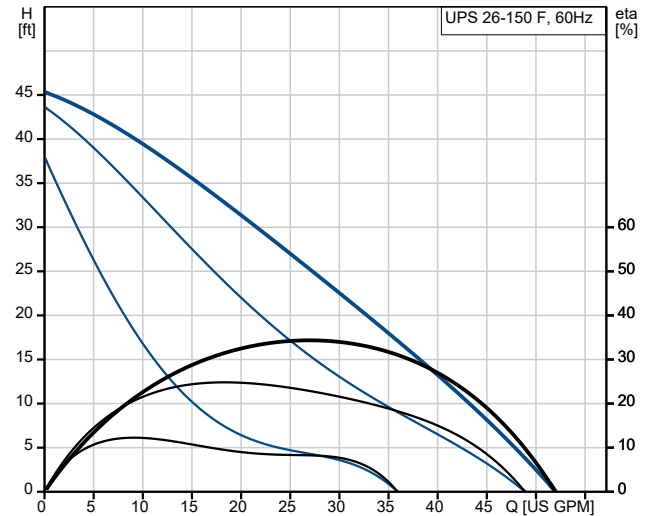
Date:

09/01/2025

Qty. Description

1	Max. power input:	370 W
	Mains frequency:	60 Hz
	Rated voltage:	1 x 208 V
	Current in speed 1:	1.2 A
	Current in speed 2:	1.5 A
	Current in speed 3:	1.7 A
	Capacitor size - run:	10 μ F/400 V
	Number of poles:	2
	Insulation class (IEC 85):	H
	Built-in motor protection:	CONTACT
	Others:	
	Terminal box position:	9H
	Net weight:	13.9 lb
	Gross weight:	15.2 lb
	Country of origin:	US
	Custom tariff no.:	8413.70.2005

Description	Value
General information:	
Product name:	UPS 26-150 F
Product No:	95906631
EAN number:	5700313291694
Price:	
Technical:	
Speed no:	3
Rated flow:	26.9 US GPM
Max. flow:	52 US GPM
Rated head:	25.37 ft
Maximum head:	45.28 ft
Approvals:	CETL
Materials:	
Pump housing:	Cast iron
Pump housing:	EN 1561 EN-GJL-200
Pump housing:	ASTM A48-30B
Impeller:	Composite
Impeller:	PES+30% GF
Installation:	
Maximum ambient temperature:	104 °F
Amb. max at 80 dgr C liquid:	176 °F
Maximum operating pressure:	145.04 psi
Type of connection:	2-BOLT FLANGE
Pipe connection:	2-BOLT FLANGE
Pressure rating for connection:	PN 10
Port-to-port length:	6 1/2 in
Liquid:	
Pumped liquid:	Water
Liquid temperature range:	35.6 .. 230 °F
Selected liquid temperature:	140 °F
Density:	61.35 lb/ft³
Electrical data:	
Power input in speed 1:	0.3554 HP
Power input in speed 2:	335 W
Max. power input:	370 W
Mains frequency:	60 Hz
Rated voltage:	1 x 208 V
Current in speed 1:	1.2 A
Current in speed 2:	1.5 A
Current in speed 3:	1.7 A
Capacitor size - run:	10 µF/400 V
Number of poles:	2
Insulation class (IEC 85):	H
Built-in motor protection:	CONTACT
Thermal protec:	internal
Others:	
Terminal box position:	9H
Net weight:	13.9 lb
Gross weight:	15.2 lb
Country of origin:	US
Custom tariff no.:	8413.70.2005



Pumped liquid = Water
 Liquid temperature during operation = 140 °F
 Density = 61.35 lb/ft³

