

Count	Description
-------	-------------

1	UPS 32-160 F B
---	----------------



Product photo could vary from the actual product

Product No.: [96402739](#)

The pump is of the canned rotor type, i.e. pump and motor form an integral unit without shaft seal and with only two gaskets for sealing. The bearings are lubricated by the pumped liquid.

In order to avoid problems in connection with disposal, great importance has been attached to using as few different materials as possible.

The pump is characterized by:

- * 3 speed motor.
- * Ceramic radial bearings.
- * Carbon axial bearing.
- * Stainless steel rotor can, bearing plate and rotor cladding.
- * Aluminium alloy stator housing.
- * Bronze pump housing.
- * Stator with built-in thermal switch.

The motor is a 1-phase motor.

The pump is supplied with a standard module in the terminal box.

The standard module is to be connected to the mains supply via external contactor.

Controls:

Relay: with relay

Liquid:

Pumped liquid: Water
Liquid temperature range: 14 .. 248 °F
Selected liquid temperature: 140 °F
Density: 61.35 lb/ft³

Technical:

Approvals on nameplate: CUL

Materials:

Pump housing: Bronze
DIN W.-Nr. 2.1176.01

Impeller: Stainless steel
DIN W.-Nr. 1.4301
AISI 304

Installation:

Range of ambient temperature: 32 .. 104 °F
Maximum operating pressure: 145.04 psi
Flange standard: USA Oval

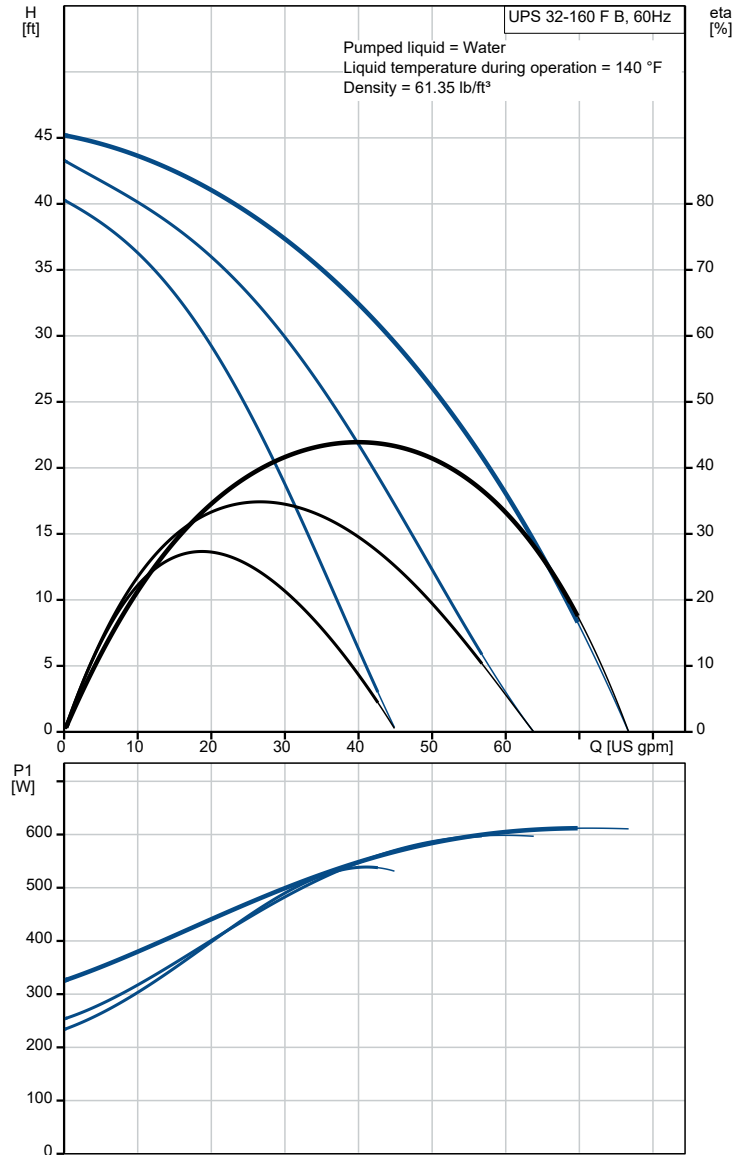


Company name:
Created by:
Phone:

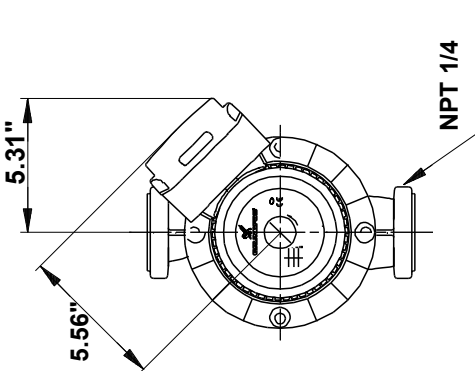
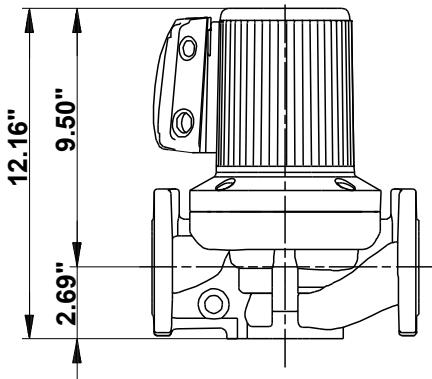
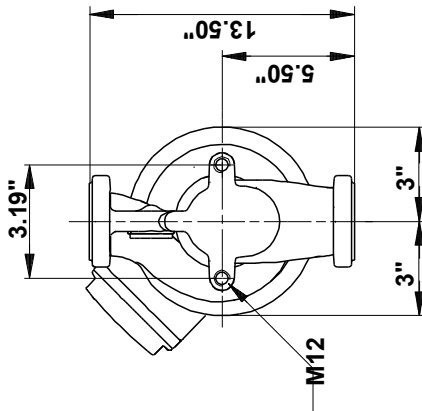
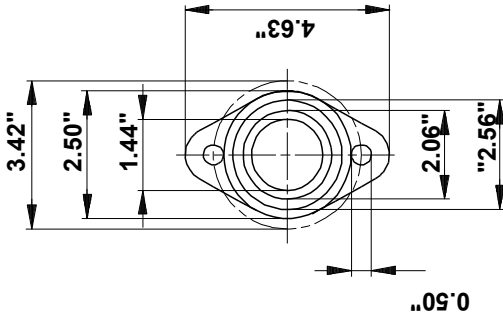
Date: 4/12/2022

Count	Description
	Type of connection: F
	Pipe connection: GF 40/43
	Pressure stage: 145 psi
	Port-to-port length: 13 1/2 in
	Electrical data:
	Power input in speed 1: 0.7443 HP
	Power input in speed 2: 600 W
	Max. power input: 625 W
	Main frequency: 60 Hz
	Rated voltage: 1 x 115 V
	Current in speed 1: 5.5 A
	Current in speed 2: 5.8 A
	Current in speed 3: 5.8 A
	Cos phi in speed 1: 0.88
	Cos phi in speed 2: 0.9
	Cos phi: 0.94
	Capacitor size - run: 60 µF/250 V
	Enclosure class (IEC 34-5): X4D
	Insulation class (IEC 85): H
	Others:
	Net weight: 42.1 lb
	Gross weight: 49.6 lb
	Shipping volume: 2.08 ft ³
	Country of origin: RS
	Custom tariff no.: 8413.70.2005

Description	Value
General information:	
Product name:	UPS 32-160 F B
Product No.:	96402739
EAN:	5700390679637
Technical:	
Speed Number:	3
Head max:	52.5 ft
Approvals on nameplate:	CUL
Model:	C
Materials:	
Pump housing:	Bronze
Pump housing:	DIN W.-Nr. 2.1176.01
Impeller:	Stainless steel
Impeller:	DIN W.-Nr. 1.4301
Impeller:	AISI 304
Installation:	
Range of ambient temperature:	32 .. 104 °F
Maximum operating pressure:	145.04 psi
Flange standard:	USA Oval
Type of connection:	F
Pipe connection:	GF 40/43
Pressure stage:	145 psi
Port-to-port length:	13 1/2 in
Liquid:	
Pumped liquid:	Water
Liquid temperature range:	14 .. 248 °F
Selected liquid temperature:	140 °F
Density:	61.35 lb/ft ³
Electrical data:	
Power input in speed 1:	0.7443 HP
Power input in speed 2:	600 W
Max. power input:	625 W
Main frequency:	60 Hz
Rated voltage:	1 x 115 V
Current in speed 1:	5.5 A
Current in speed 2:	5.8 A
Current in speed 3:	5.8 A
Cos phi in speed 1:	0.88
Cos phi in speed 2:	0.9
Cos phi:	0.94
Capacitor size - run:	60 µF/250 V
Enclosure class (IEC 34-5):	X4D
Insulation class (IEC 85):	H
Built-in motor protection:	CONTACT
Thermal protec:	internal
R a:	4.15 - 5.45 ohm
R s1:	1.2 - 1.56 ohm
R s2:	2.65 - 3.5 ohm
Controls:	
Relay:	with relay
Pos term box:	1.30H
Others:	
Net weight:	42.1 lb
Gross weight:	49.6 lb
Shipping volume:	2.08 ft ³
Sales region:	Namreg
Country of origin:	RS
Custom tariff no.:	8413.70.2005



96402739 UPS 32-160 F B 60 Hz





Company name:
Created by:
Phone:

Date: 4/12/2022

Service parts UPS 32-160 F B, Prod number 96402739
Produced After 9513 (production year and week number)

Pos	Description	Annotation	Classification Data	Part no.	Qty.	Unit
-	Kit, gaskets			96406940	1	pcs
	Gasket				1	
	Gasket				1	
19d	O-ring				1	
72a	O-ring		Diameter: 113		1	
			Material type: EPDM			
			Thickness: 3			
72a	O-ring		Diameter: 155		1	
			Material type: EPDM			
			Thickness: 4			
100	O-ring		Diameter: 18		1	
			Material type: EPDM			
			Thickness: 4			
-	Pump head			96407079	1	pcs
	Stator set				1	
- 17a	Air vent				1	
17	Air vent					
100	O-ring					
26	Thread forming screw				3	
109	O-ring				1	
172b	Shaft w/impeller				1	