

Count	Description
-------	-------------

1 UPS 50-160 F



Product photo could vary from the actual product

Product No.: [96402860](#)

The pump is of the canned rotor type, i.e. pump and motor form an integral unit without shaft seal and with only two gaskets for sealing. The bearings are lubricated by the pumped liquid.

In order to avoid problems in connection with disposal, great importance has been attached to using as few different materials as possible.

The pump is characterized by:

- \* 3 speed motor.
- \* Ceramic radial bearings.
- \* Carbon axial bearing.
- \* Stainless steel rotor can, bearing plate and rotor cladding.
- \* Aluminium alloy stator housing.
- \* Cast iron pump housing.
- \* Stator with built-in thermal switch.

The motor is a 3-phase motor.

The pump is supplied with a standard module in the terminal box.

The standard module is to be connected to the mains supply via external contactor.

Controls:

Relay: without relay

Liquid:

Pumped liquid: Water  
Liquid temperature range: 14 .. 248 °F  
Selected liquid temperature: 140 °F  
Density: 61.35 lb/ft<sup>3</sup>

Technical:

Approvals on nameplate: CUL

Materials:

Pump housing: Cast iron  
EN-JL1040  
ASTM 35 B - 40 B  
Impeller: Stainless steel  
DIN W.-Nr. 1.4301  
AISI 304

Installation:

Range of ambient temperature: 32 .. 104 °F  
Maximum operating pressure: 145.04 psi

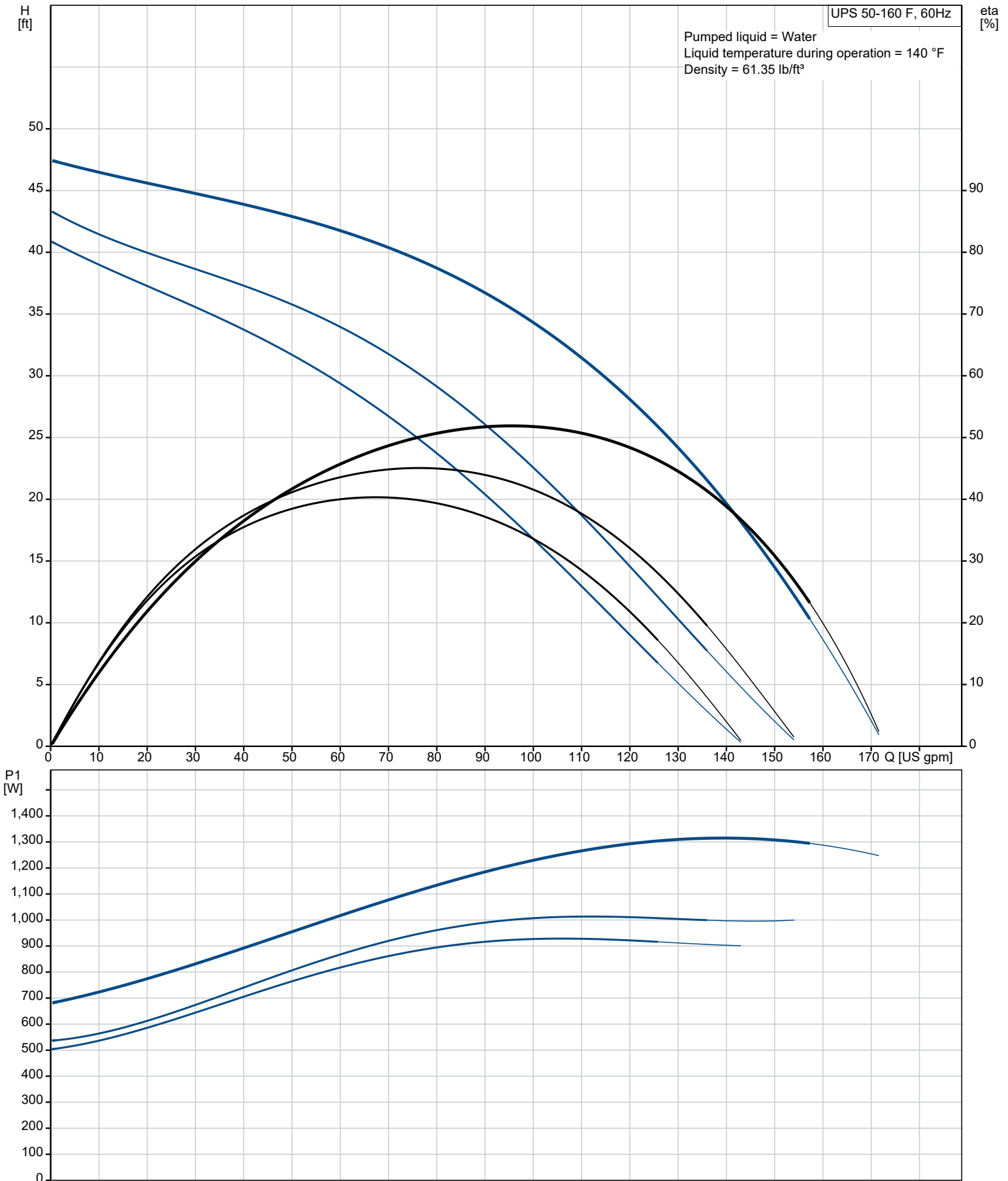


Company name:  
Created by:  
Phone:

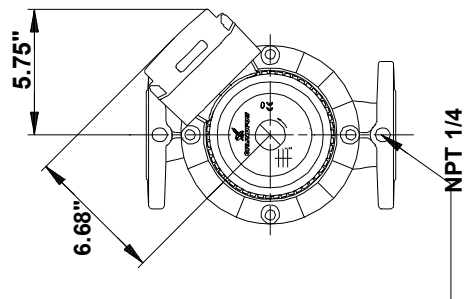
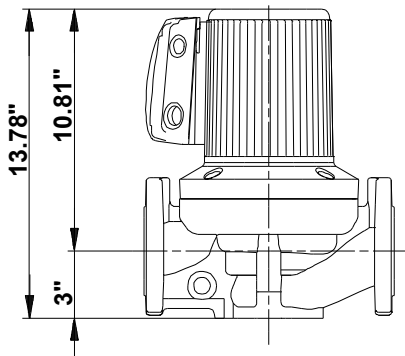
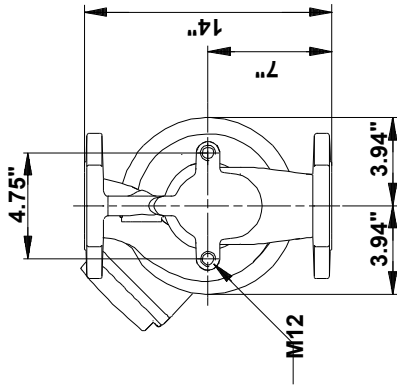
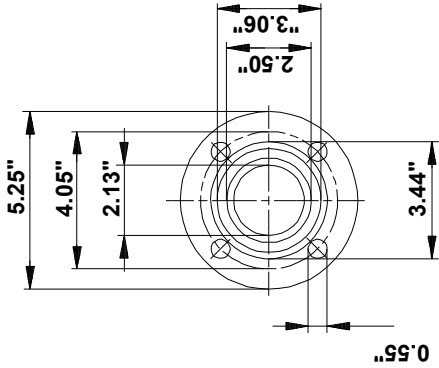
Date: 4/6/2022

Count	Description
	Flange standard: USA
	Type of connection: F
	Pipe connection: GF 50
	Pressure stage: 145 psi
	Port-to-port length: 14 in
	Electrical data:
	Power input in speed 1: 1.274 HP
	Power input in speed 2: 1000 W
	Max. power input: 1300 W
	Main frequency: 60 Hz
	Rated voltage: 3 x 208-230 V
	Current in speed 1: 2.75 A
	Current in speed 2: 3 A
	Current in speed 3: 4 A
	Cos phi in speed 1: 0.87
	Cos phi in speed 2: 0.84
	Cos phi: 0.82
	Enclosure class (IEC 34-5): X4D
	Insulation class (IEC 85): H
	Winding resistance: 12.4 - 16.2 ohm
	Others:
	Net weight: 59.3 lb
	Gross weight: 65.7 lb
	Shipping volume: 3.46 ft <sup>3</sup>
	Country of origin: RS
	Custom tariff no.: 8413.70.2005

## 96402860 UPS 50-160 F 60 Hz



## 96402860 UPS 50-160 F 60 Hz





Company name:  
Created by:  
Phone:

Date: 4/6/2022

**Service parts UPS 50-160 F, Prod number 96402860**  
**Produced After 9513 (production year and week number)**

Pos	Description	Annotation	Classification Data	Part no.	Qty.	Unit
-	Kit, gaskets			96406940	1	pcs
	Gasket				1	
	Gasket				1	
19d	O-ring				1	
72a	O-ring		Diameter: 113		1	
			Material type: EPDM			
			Thickness: 3			
72a	O-ring		Diameter: 155		1	
			Material type: EPDM			
			Thickness: 4			
100	O-ring		Diameter: 18		1	
			Material type: EPDM			
			Thickness: 4			
-	Pump head			96407113	1	pcs
	Stator set				1	
- 17a	Air vent				1	
17	Air vent					
100	O-ring					
26	Thread forming screw				3	
72a	O-ring				1	
172b	Shaft w/impeller				1	