

Count	Description
-------	-------------

1 UPS 80-80 F



Product photo could vary from the actual product

Product No.: [96402908](#)

The pump is of the canned rotor type, i.e. pump and motor form an integral unit without shaft seal and with only two gaskets for sealing. The bearings are lubricated by the pumped liquid.

In order to avoid problems in connection with disposal, great importance has been attached to using as few different materials as possible.

The pump is characterized by:

- * 3 speed motor.
- * Ceramic radial bearings.
- * Carbon axial bearing.
- * Stainless steel rotor can, bearing plate and rotor cladding.
- * Aluminium alloy stator housing.
- * Cast iron pump housing.
- * Stator with built-in thermal switch.

The motor is a 3-phase motor.

The pump is supplied with a standard module in the terminal box.

The standard module is to be connected to the mains supply via external contactor.

Controls:

Relay: without relay

Liquid:

Pumped liquid: Water
Liquid temperature range: 14 .. 248 °F
Selected liquid temperature: 140 °F
Density: 61.35 lb/ft³

Technical:

Approvals on nameplate: CUL

Materials:

Pump housing: Cast iron
EN-JL1040
ASTM 35 B - 40 B
Impeller: Stainless steel
DIN W.-Nr. 1.4301
AISI 304

Installation:

Range of ambient temperature: 32 .. 104 °F
Maximum operating pressure: 145.04 psi

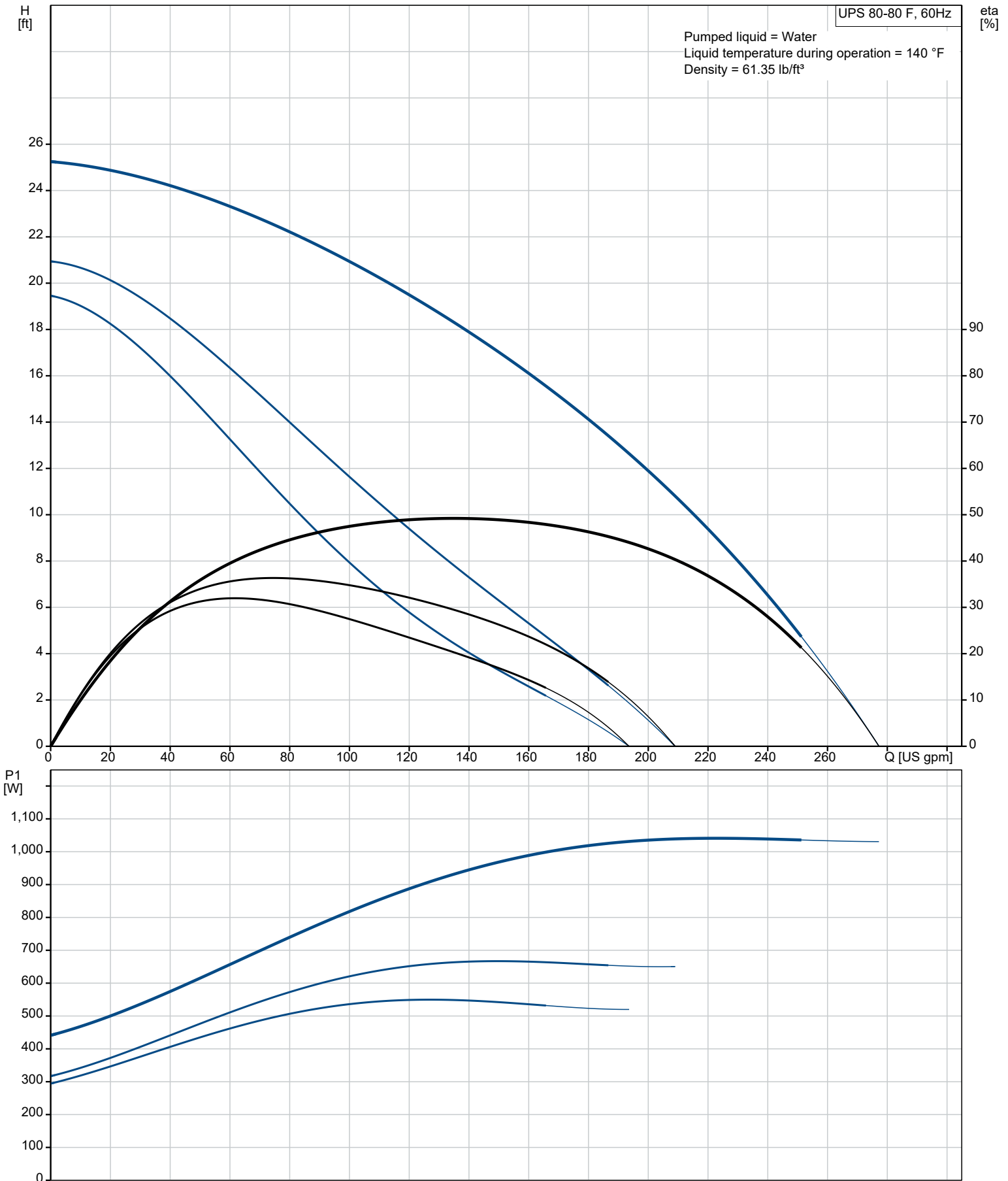


Company name:
Created by:
Phone:

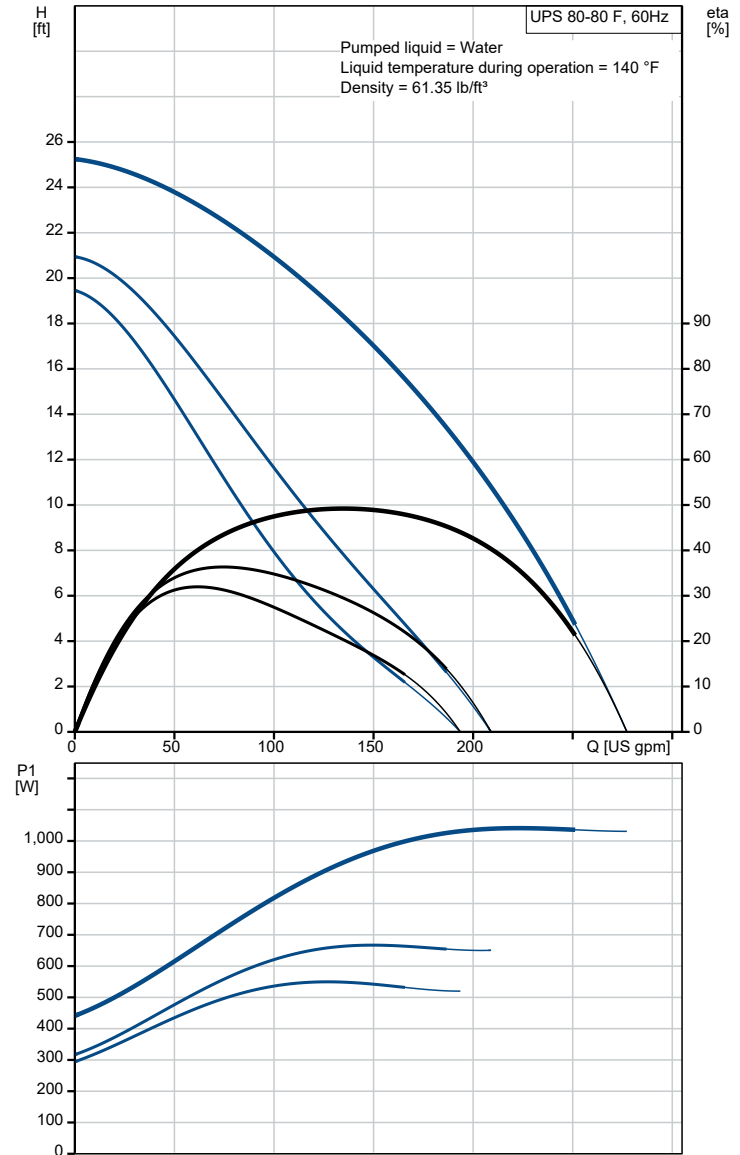
Date: 4/6/2022

Count	Description
	Flange standard: ANSI
	Type of connection: F
	Pipe connection: GF 80
	Pressure stage: 145 psi
	Port-to-port length: 19 in
	Electrical data:
	Power input in speed 1: 0.7375 HP
	Power input in speed 2: 660 W
	Max. power input: 1050 W
	Main frequency: 60 Hz
	Rated voltage: 3 x 208-230 V
	Current in speed 1: 1.72 A
	Current in speed 2: 2.08 A
	Current in speed 3: 3.6 A
	Cos phi in speed 1: 0.8
	Cos phi in speed 2: 0.8
	Cos phi: 0.73
	Enclosure class (IEC 34-5): X4D
	Insulation class (IEC 85): H
	Winding resistance: 23.6 - 31.0 ohm
	Others:
	Net weight: 91.9 lb
	Gross weight: 94.4 lb
	Shipping volume: 3.46 ft ³
	Country of origin: RS
	Custom tariff no.: 8413.70.2015

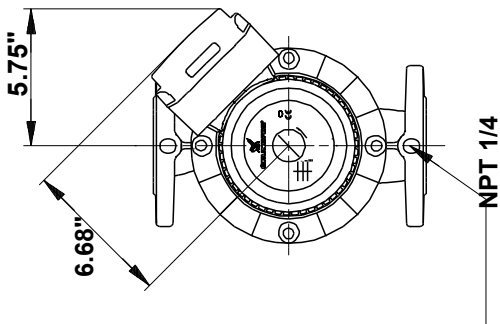
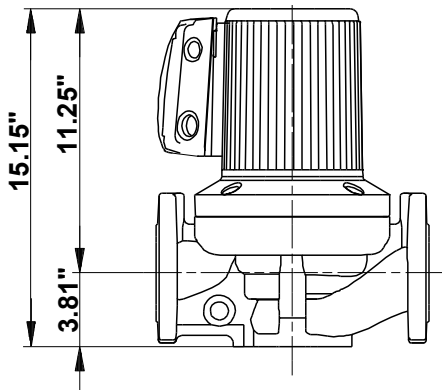
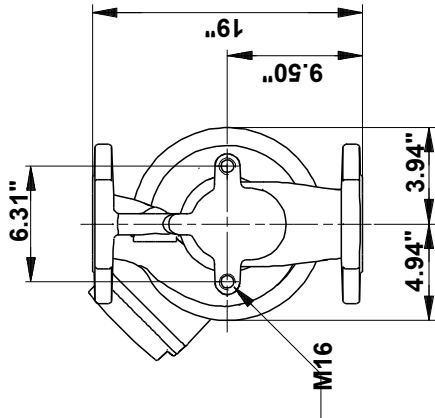
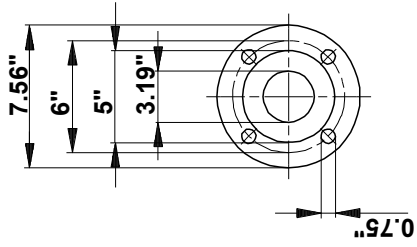
96402908 UPS 80-80 F 60 Hz



Description	Value
General information:	
Product name:	UPS 80-80 F
Product No.:	96402908
EAN:	5700390685737
Technical:	
Speed Number:	3
Head max:	26.25 ft
Approvals on nameplate:	CUL
Model:	C
Materials:	
Pump housing:	Cast iron
Pump housing:	EN-JL1040
Pump housing:	ASTM 35 B - 40 B
Impeller:	Stainless steel
Impeller:	DIN W.-Nr. 1.4301
Impeller:	AISI 304
Installation:	
Range of ambient temperature:	32 .. 104 °F
Maximum operating pressure:	145.04 psi
Flange standard:	ANSI
Type of connection:	F
Pipe connection:	GF 80
Pressure stage:	145 psi
Port-to-port length:	19 in
Liquid:	
Pumped liquid:	Water
Liquid temperature range:	14 .. 248 °F
Selected liquid temperature:	140 °F
Density:	61.35 lb/ft ³
Electrical data:	
Power input in speed 1:	0.7375 HP
Power input in speed 2:	660 W
Max. power input:	1050 W
Main frequency:	60 Hz
Rated voltage:	3 x 208-230 V
Current in speed 1:	1.72 A
Current in speed 2:	2.08 A
Current in speed 3:	3.6 A
Cos phi in speed 1:	0.8
Cos phi in speed 2:	0.8
Cos phi:	0.73
Enclosure class (IEC 34-5):	X4D
Insulation class (IEC 85):	H
Built-in motor protection:	CONTACT
Thermal protec:	external
Winding resistance:	23.6 - 31.0 ohm
Controls:	
Relay:	without relay
Pos term box:	1.30H
Others:	
Net weight:	91.9 lb
Gross weight:	94.4 lb
Shipping volume:	3.46 ft ³
Sales region:	Namreg
Country of origin:	RS
Custom tariff no.:	8413.70.2015



96402908 UPS 80-80 F 60 Hz





Company name:
Created by:
Phone:

Date: 4/6/2022

Service parts UPS 80-80 F, Prod number 96402908
Produced After 9513 (production year and week number)

Pos	Description	Annotation	Classification Data	Part no.	Qty.	Unit
-	Kit, gaskets			96406940	1	pcs
	Gasket				1	
	Gasket				1	
19d	O-ring				1	
72a	O-ring		Diameter: 113		1	
			Material type: EPDM			
			Thickness: 3			
72a	O-ring		Diameter: 155		1	
			Material type: EPDM			
			Thickness: 4			
100	O-ring		Diameter: 18		1	
			Material type: EPDM			
			Thickness: 4			
-	Pump head			96407122	1	pcs
	Stator set				1	
- 17a	Air vent				1	
17	Air vent					
100	O-ring					
26	Thread forming screw				3	
72a	O-ring				1	
172b	Shaft w/impeller				1	