

PROJECT:	UNIT TAG:	QUANTITY:
REPRESENTATIVE: _____	TYPE OF SERVICE:	DATE: _____
ENGINEER:	SUBMITTED BY: David w	DATE:
CONTRACTOR:	APPROVED BY:	DATE:
	ORDER NO.:	DATE:

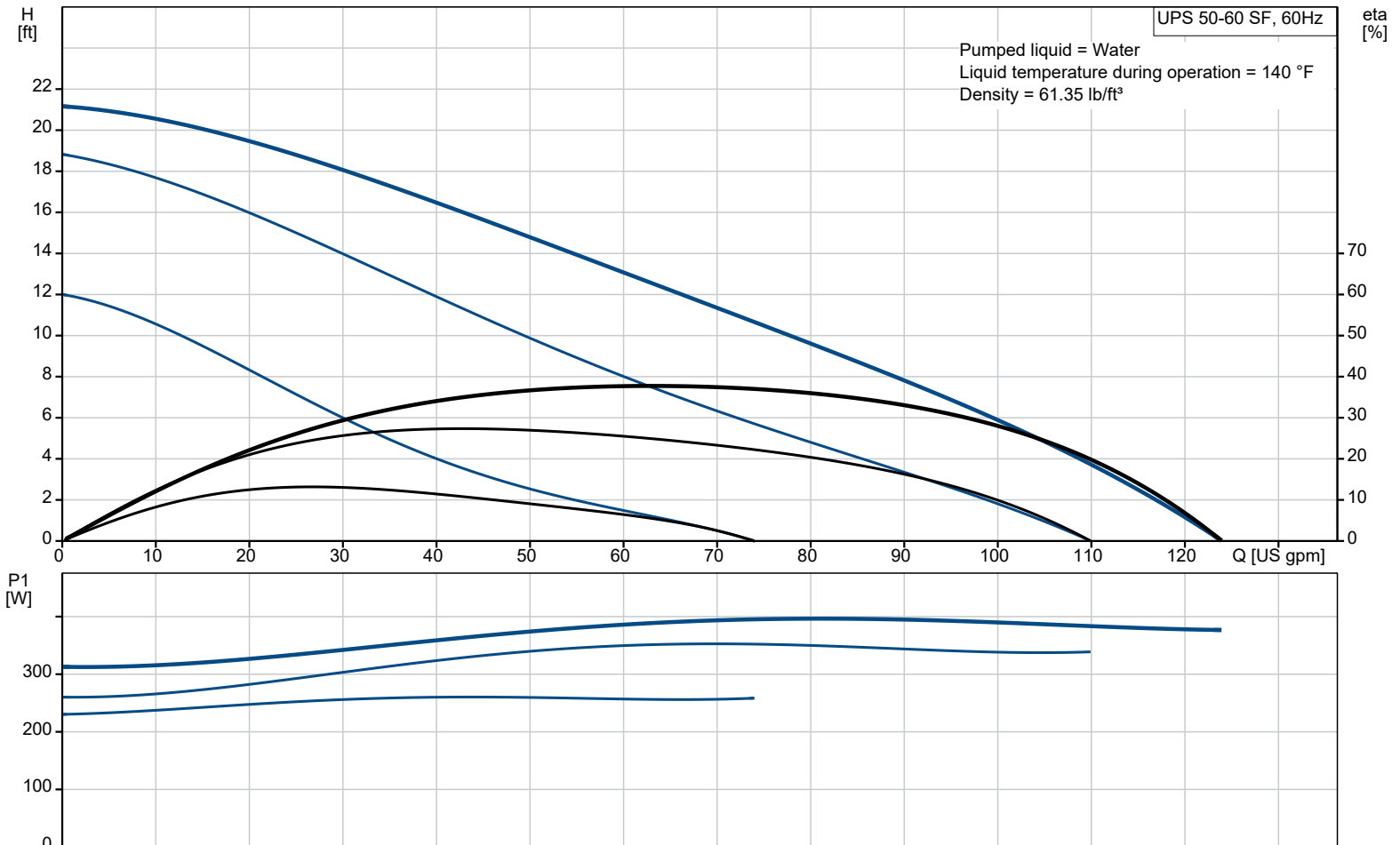
## UPS 50-60 SF

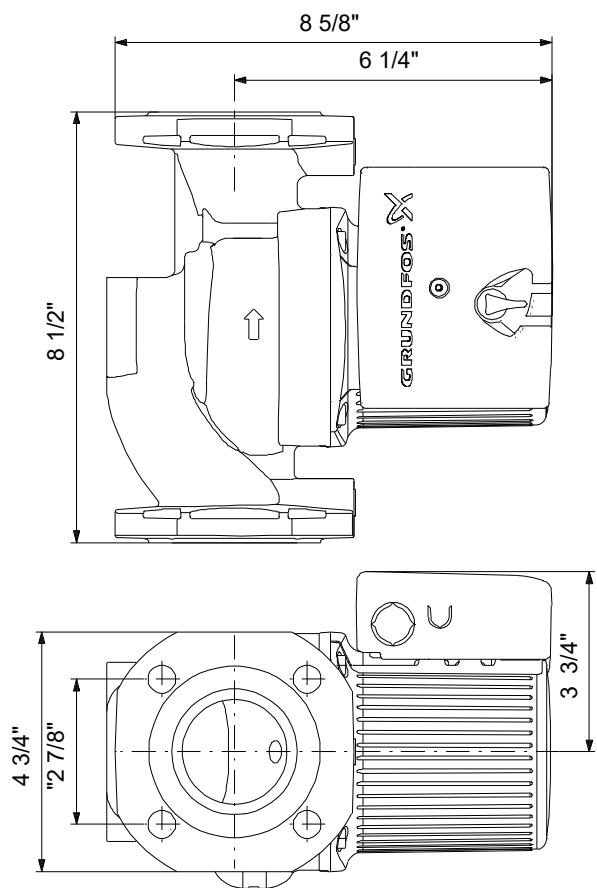


UPS B is a three-speed circulator pump with a corrosion-resistant bronze pump housing designed for hot-water recirculation. The pump provides reliable and maintenance-free operation.

Product photo could vary from the actual product

Conditions of Service		Pump Data		Motor Data	
Liquid:	Water	Maximum operating pressure:	145.04 psi	Max. power input:	395 W
Temperature:	140 °F	Liquid temperature range:	32 .. 230 °F	Rated voltage:	115 V
Specific Gravity:	0.985	Maximum ambient temperature:	104 °F	Main frequency:	60 Hz
		Approvals:	ETL, CSA	Insulation class:	H
		Type of connection:	S.S. Flange	Motor protection:	CONTACT
		Flange standard:	USA Oval	Thermal protection:	internal
		Pipe connection:	4 - Bolt Flange		
		Product number:	97523136		





**Materials:**  
Pump housing: Stainless steel  
Pump housing: DIN W.-Nr. 1.4301  
Impeller: Composite, PES

Count	Description
-------	-------------

1	UPS 50-60 SF
---	--------------



Product photo could vary from the actual product

Product No.: [97523136](#)

Grundfos UPS N circulator pumps have a corrosion-free stainless-steel pump housing and are recommended for domestic hot-water recirculation and underfloor heating systems. UPS N can be connected to an on/off time switch to limit pump operation to periods when hot water is usually required.

The pump is of the canned rotor type, i.e. pump and motor form an integral unit without shaft seal and with only two gaskets for sealing. The bearings are lubricated by the pumped liquid. The pump is characterized by:

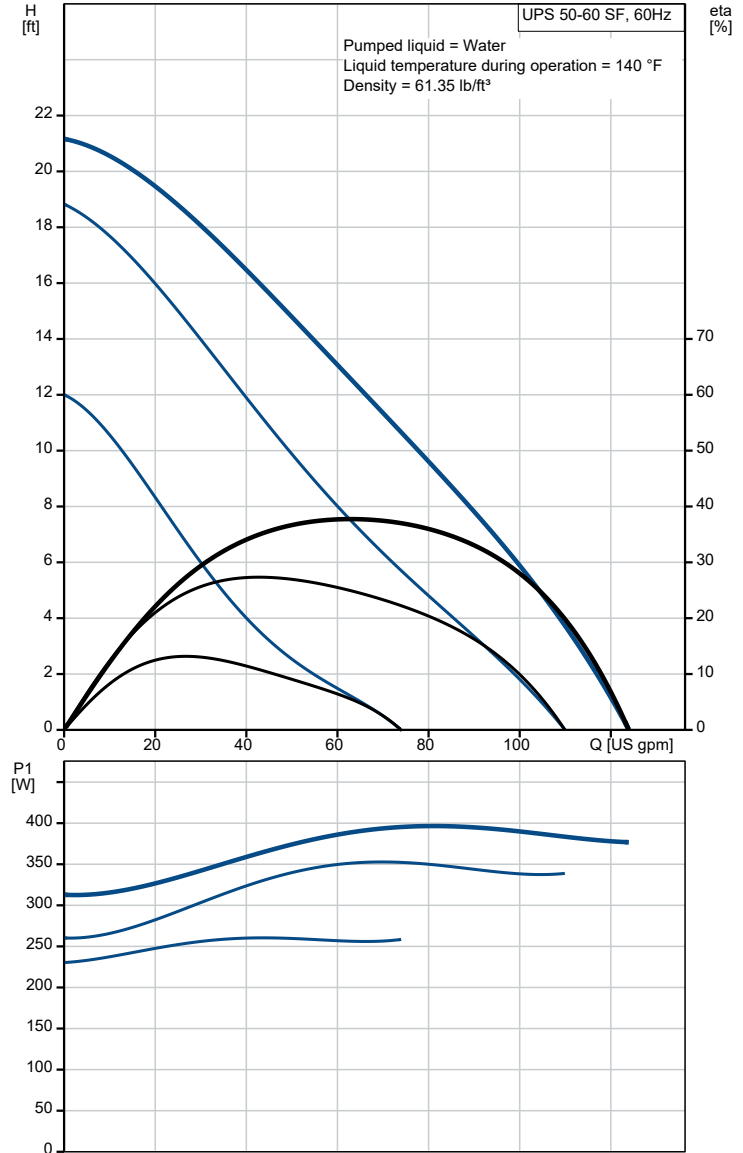
- Ceramic shaft and radial bearings.  
Carbon axial bearing.  
Stainless steel rotor can and bearing plate.



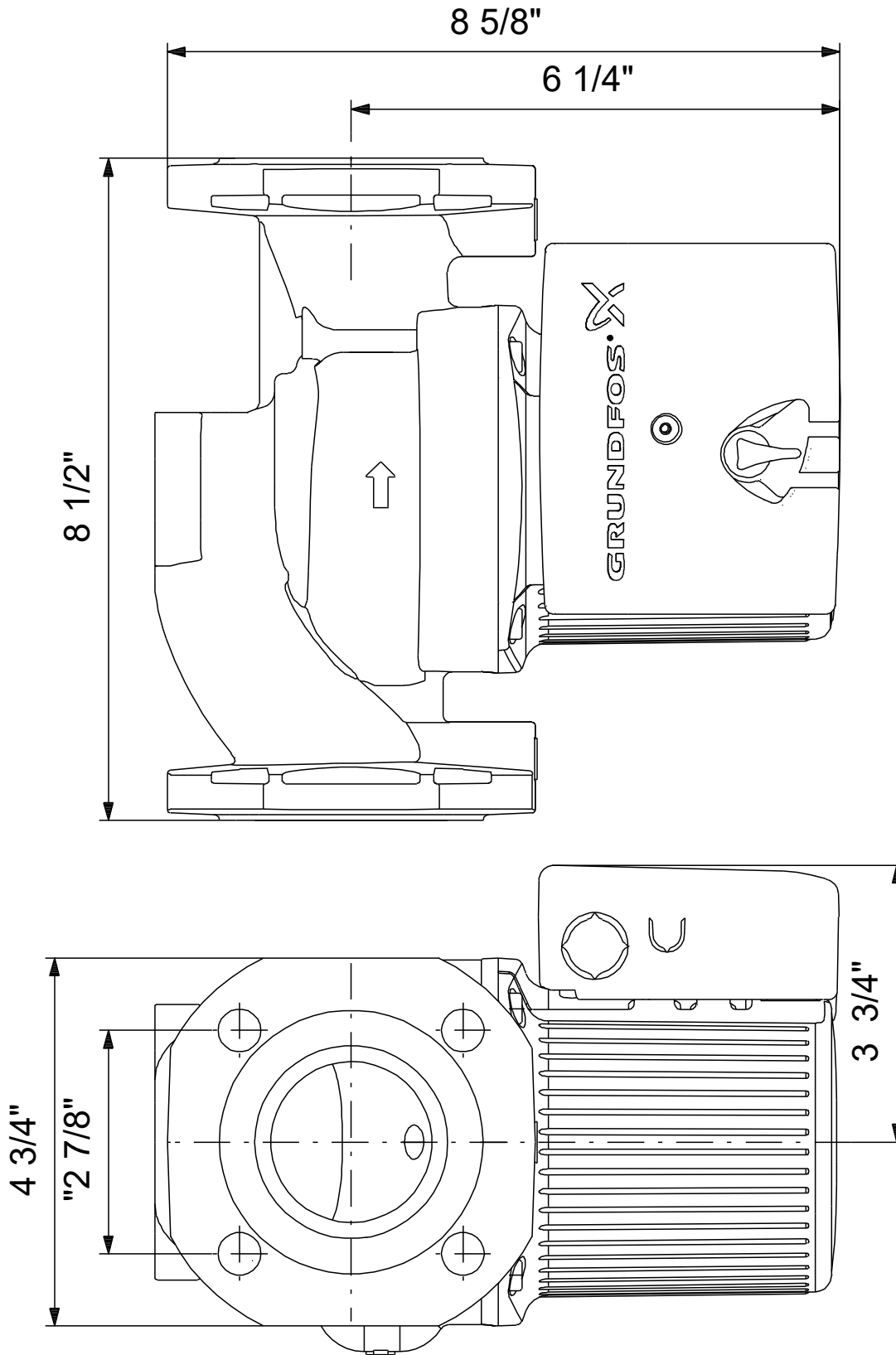
Company name:  
Created by:  
Phone:

Date: 8/5/2022

Description	Value
<b>General information:</b>	
Product name:	UPS 50-60 SF
Product No.:	97523136
EAN:	5700317647510
<b>Technical:</b>	
Speed Number:	3
Max flow:	124 US gpm
Max flow:	124 US gpm
Head max:	21.33 ft
Head max:	21.33 ft
Approvals on nameplate:	ETL, CSA
<b>Materials:</b>	
Pump housing:	Stainless steel
Pump housing:	DIN W.-Nr. 1.4301
Impeller:	Composite, PES
<b>Installation:</b>	
t max amb:	104 °F
Ambient max at 176°F liquid:	176 °F
Maximum operating pressure:	145.04 psi
Flange standard:	USA Oval
Type of connection:	S.S. Flange
Pipe connection:	4 - Bolt Flange
Pressure stage:	PN 10
Port-to-port length:	8 1/2 in
<b>Liquid:</b>	
Pumped liquid:	Water
Liquid temperature range:	32 .. 230 °F
Selected liquid temperature:	140 °F
Density:	61.35 lb/ft <sup>3</sup>
<b>Electrical data:</b>	
Power input in speed 1:	0.3487 HP
Power input in speed 2:	350 W
Max. power input:	395 W
Main frequency:	60 Hz
Rated voltage:	1 x 115 V
Current in speed 1:	2.7 A
Current in speed 2:	3.4 A
Current in speed 3:	3.6 A
Capacitor size - run:	40 µF/180 V
Number of poles:	2
Insulation class (IEC 85):	H
Built-in motor protection:	CONTACT
Thermal protec:	internal
<b>Controls:</b>	
Pos term box:	9H
<b>Others:</b>	
Gross weight:	20.1 lb



## 97523136 UPS 50-60 SF 60 Hz



Note! All units are in [in] unless otherwise stated.  
Disclaimer: This simplified dimensional drawing does not show all details.