

Count	Description
-------	-------------

1 MAGNA3 40-80 F



Product No.: [98126800](#)

The Grundfos MAGNA3 circulator pump is the ideal choice for almost any building project – old or new. With its unrivalled energy efficiency, all-encompassing range and built-in communication capabilities, MAGNA3 is ideal for engineers and specifiers looking to create high-performance heating and cooling systems.

The pump is maintenance-free due to the canned-rotor type design. This also means that pump and motor form an integral unit without shaft seal and with only two gaskets for sealing. The bearings are lubricated by the pumped liquid.

MAGNA3 features an intuitive display and allows you to connect wirelessly with the Grundfos GO Remote app, giving you access to advanced reporting and monitoring.

The pump includes fieldbus communication via CIM modules as well as analog and digital inputs and configurable relays.

Control features include AUTOADAPT and FLOWADAPT. FLOWADAPT which reduces the need for throttling valves, thus cutting costs on system components.

MAGNA3 is the superior choice for a wide range of heating and cooling applications, including:

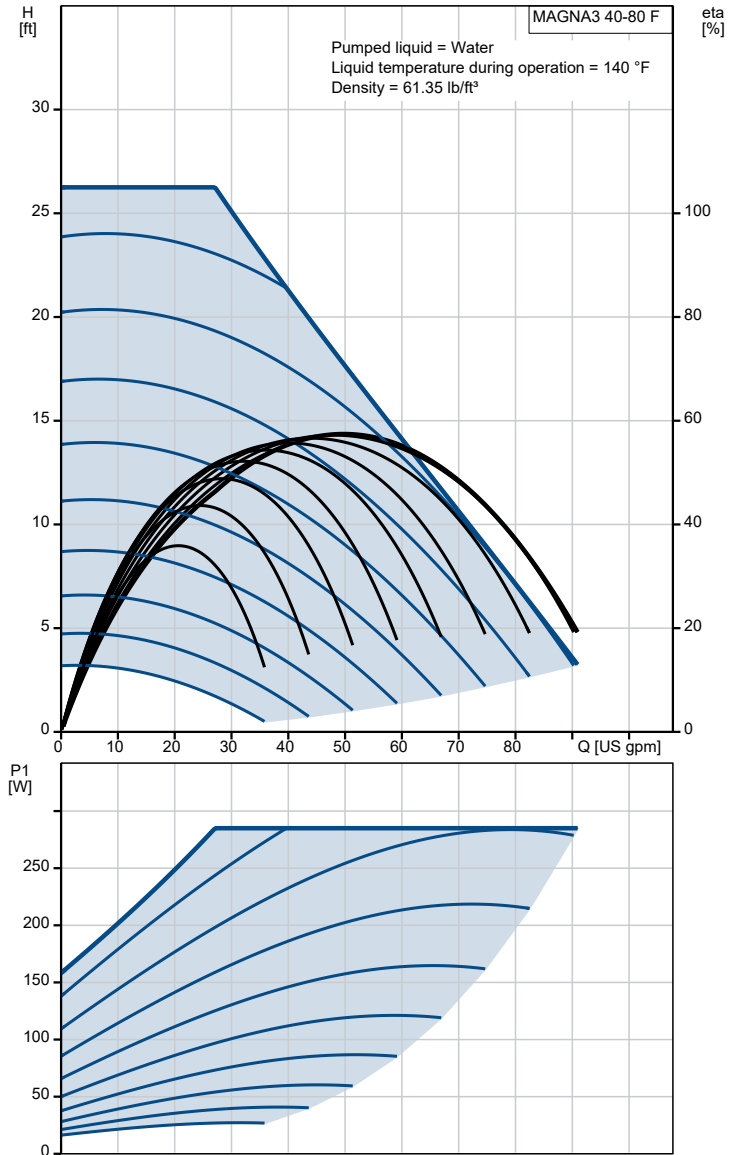
- Mixing loops
- Heating surfaces
- Air conditioning surfaces
- Ground-source heat pump systems
- Smaller chiller applications.

MAGNA3 is a single-phase pump and characterised by having the controller and control display integrated in the control box. The pump also has a built-in differential-pressure and temperature sensor.

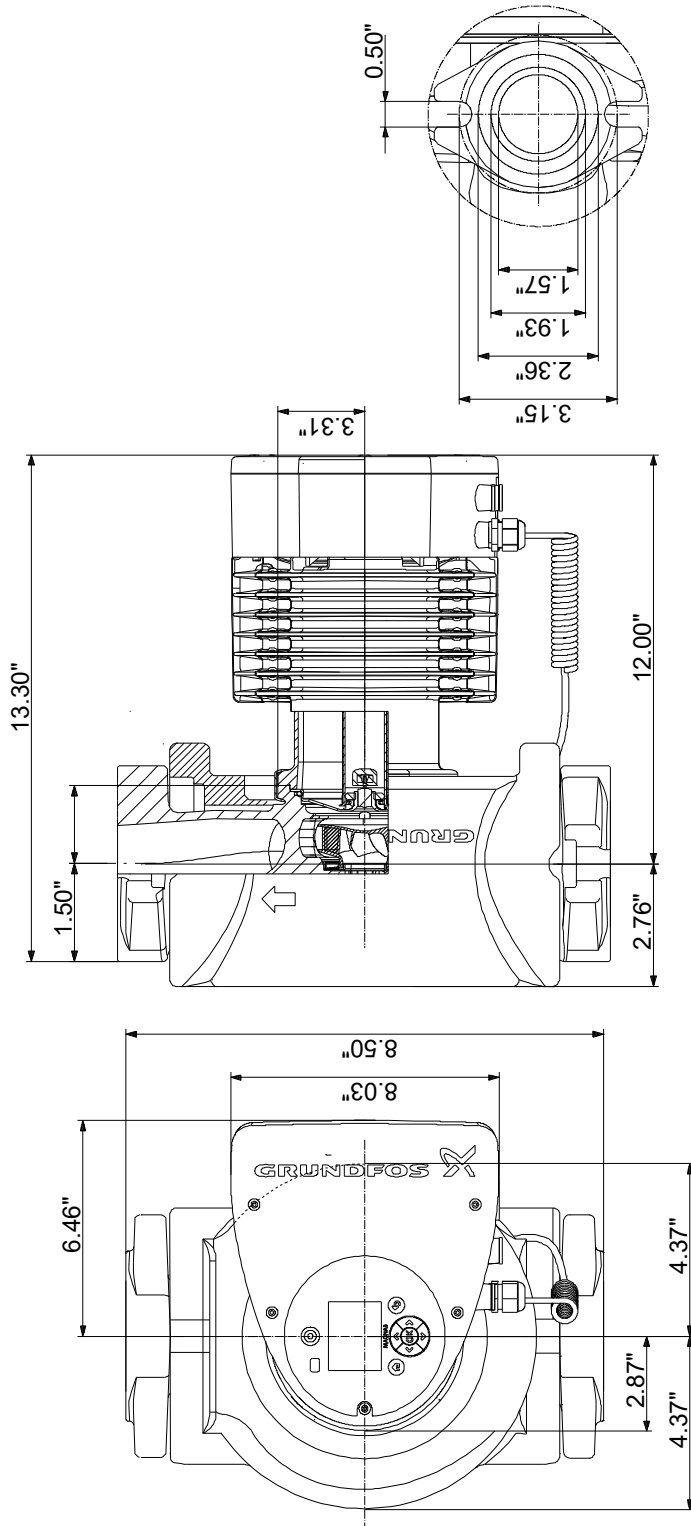
The pump housing is available in both cast-iron and stainless-steel versions. The composite rotor can is carbon-fibre reinforced, the bearing plate and rotor cladding are made of stainless steel and the stator housing is made of aluminium. The power electronics are air-cooled.

MAGNA3 incorporates a 4-pole synchronous, permanent-magnet motor (PM motor). This motor type is characterised by higher efficiency than a conventional asynchronous squirrel-cage motor. The pump speed is controlled by an integrated frequency converter.

Description	Value
General information:	
Product name:	MAGNA3 40-80 F
Product No.:	98126800
EAN:	5710629499622
Technical:	
Rated flow:	46.7 US gpm
Rated head:	17.72 ft
Head max:	26.25 ft
TF class:	110
Approvals:	cETLus
Model:	D
Materials:	
Pump housing:	Cast iron
Pump housing:	EN-GJL-250
Pump housing:	ASTM A48-250B
Impeller:	PES 30%GF
Installation:	
Range of ambient temperature:	32 .. 104 °F
Maximum operating pressure:	174.05 psi
Flange standard:	GF
Pipe connection:	GF15/26/40/43
Pressure stage:	PN12
Port-to-port length:	8 9/16 in
Liquid:	
Pumped liquid:	Water
Liquid temperature range:	14 .. 230 °F
Selected liquid temperature:	140 °F
Density:	61.35 lb/ft ³
Electrical data:	
Power input - P1:	16 .. 285 W
Main frequency:	60 Hz
Rated voltage:	1 x 115 V
Maximum current consumption:	0.3 .. 2.57 A
Enclosure class (IEC 34-5):	X4D
Insulation class (IEC 85):	F
Others:	
Energy (EEI):	0.20
Net weight:	31.6 lb
Gross weight:	34.9 lb
Shipping volume:	1.06 ft ³



98126800 MAGNA3 40-80 F 60 Hz



Service parts MAGNA3 40-80 F, Prod number 98126800
Produced After 1732 (production year and week number)

Pos	Description	Annotation	Classification Data	Part no.	Qty.	Unit
-	Kit, cable gland			98578414	1	pcs
	Cable gland				3	
-	Kit, clamp			98700282	1	pcs
92	Clamp cpl.				1	
-	Kit, Connector plugs			98607782	1	pcs
	Box				1	
159b	Connector plug 4-pole				1	
159b	Connector plug 3-pole				2	
159b	Connector plug 3-pole				1	
-	Kit, Cont. box cover front end			99341976	1	pcs
164a	Screw DELTA PT				5	
164	Cover				1	
-	Kit, gaskets			98721416	1	pcs
	Gasket				2	
- 450	Kit, Insulation shell			98827415	1	pcs
450	Insulation				1	
-	Kit, O-rings			98148761	1	pcs
301a	O-ring				1	
-	Kit, pump head			98460170	1	pcs
92	Clamp cpl.				1	
- 301	Pump head cpl.				1	
	Rotor can cpl.					
-	Shaft w/impeller cpl.					
-	Bearing plate cpl.					
301a	O-ring					
-	Stator w/housing cpl.					
	Stator housing					
-	Kit, sensor			99313067	1	pcs
530	Cable				1	
531	Sensor				1	
534a	Pan head thread forming screw				1	
534	Bracket				1	
-	Kit, sensor			99313072	1	pcs
530	Cable				10	
531	Sensor				10	
- 530b	Kit, Sensor cable			98700244	1	pcs
530b	Cable				1	
7a	Combi Slot Torx screw			96886324	1	pcs