

# Submittal Data

|                       |                  |             |
|-----------------------|------------------|-------------|
| PROJECT:              | UNIT TAG:        | QUANTITY:   |
| REPRESENTATIVE: _____ | TYPE OF SERVICE: | DATE: _____ |
| ENGINEER:             | SUBMITTED BY:    | DATE:       |
| CONTRACTOR:           | APPROVED BY:     | DATE:       |
|                       | ORDER NO.:       | DATE:       |

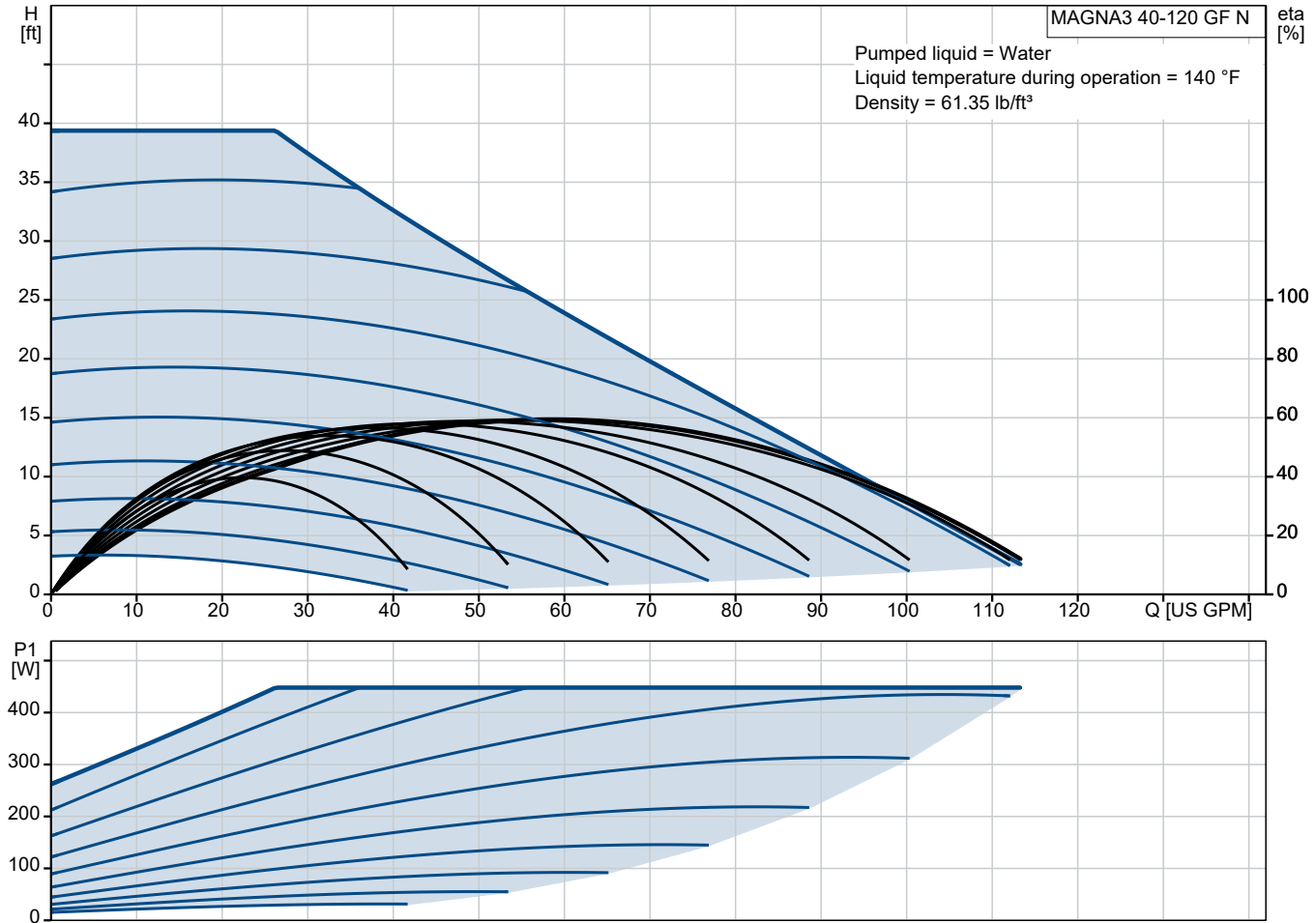


## MAGNA3 40-120 GF N

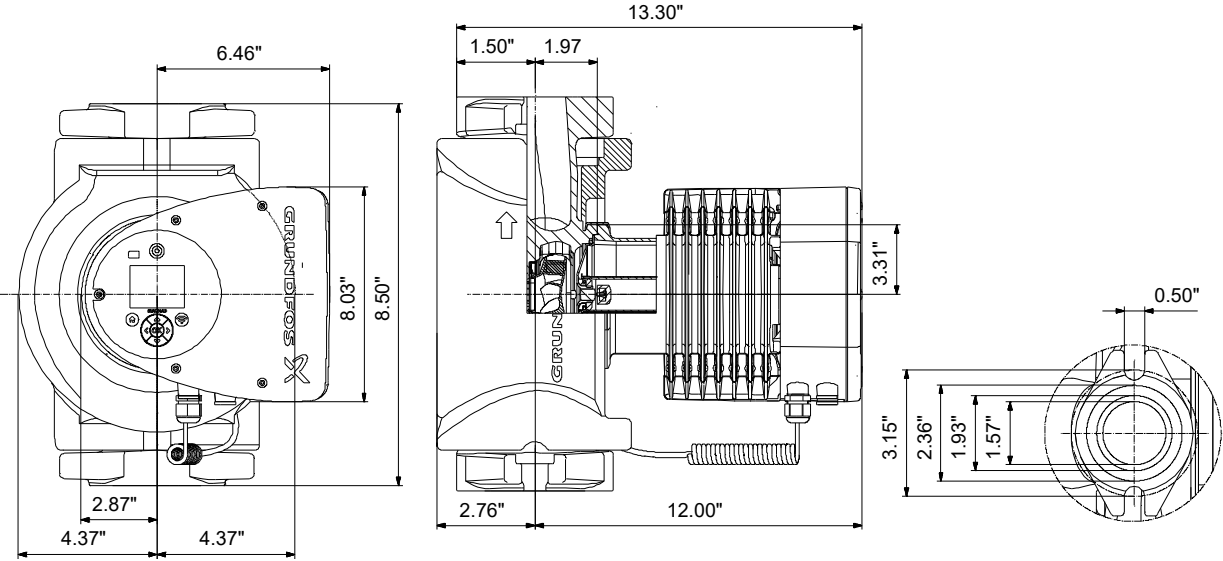
The MAGNA3 N offers all of the features of a MAGNA3 in stainless-steel, if the media requires this, for example in domestic-hot water applications. The MAGNA3 has integrated Bluetooth allowing it to connect directly with the Grundfos GO APP.

Note! Product picture may differ from actual product

| Conditions of Service |        | Pump Data                    |               | Motor Data       |       |
|-----------------------|--------|------------------------------|---------------|------------------|-------|
| Liquid:               | Water  | Liquid temperature range:    | 14 .. 230 °F  | Mains frequency: | 60 Hz |
| Temperature:          | 140 °F | Maximum ambient temperature: | 104 °F        | Enclosure class: | X4D   |
| Specific Gravity:     | 0.985  | Flange standard:             | GF            |                  |       |
|                       |        | Pipe connection:             | GF15/26/40/43 |                  |       |
|                       |        | Product number:              | 98126806      |                  |       |



# Submittal Data



- Materials:**
- Pump housing: Stainless steel
  - Pump housing: ASTM A351-CF8
  - Impeller: Composite

Qty. Description

1 MAGNA3 40-120 GF N



Note! Product picture may differ from actual product

Product No.: [98126806](#)

The Grundfos MAGNA3 circulator pump is the ideal choice for almost any building project – old or new. With its unrivalled energy efficiency, all-encompassing range and built-in communication capabilities, MAGNA3 is ideal for engineers and specifiers looking to create high-performance heating and cooling systems.

The pump is maintenance-free due to the canned-rotor type design. This also means that pump and motor form an integral unit without shaft seal and with only two gaskets for sealing. The bearings are lubricated by the pumped liquid.

MAGNA3 features an intuitive display and allows you to connect wirelessly with the Grundfos GO Remote app, giving you access to advanced reporting and monitoring.

MAGNA3 model E has Bluetooth, which allows you to connect directly to Grundfos Go app on your smart phone without any need for a dongle.

The pump includes fieldbus communication via CIM modules as well as analog and digital inputs and configurable relays.

Control features include AUTOADAPT and FLOWADAPT. FLOWADAPT which reduces the need for throttling valves, thus cutting costs on system components.

MAGNA3 is the superior choice for a wide range of heating and cooling applications, including:

- Mixing loops
- Heating surfaces
- Air conditioning surfaces
- Ground-source heat pump systems
- Smaller chiller applications.

MAGNA3 is a single-phase pump and characterised by having the controller and control display integrated in the control box. The pump also has a built-in differential-pressure and temperature sensor.

The pump housing is available in both cast-iron and stainless-steel versions. The composite rotor can is carbon-fibre reinforced, the bearing plate and rotor cladding are made of stainless steel and the stator housing is made of aluminium. The power electronics are air-cooled.

MAGNA3 incorporates a 4-pole synchronous, permanent-magnet motor (PM motor). This motor type is characterised by higher efficiency than a conventional asynchronous squirrel-cage motor. The pump speed is controlled by an integrated frequency converter.

| Description                     | Value                  |
|---------------------------------|------------------------|
| <b>General information:</b>     |                        |
| Product name:                   | MAGNA3 40-120 GF N     |
| Product No:                     | 98126806               |
| EAN number:                     | 5710629499684          |
| Price:                          | \$ 7348                |
| <b>Technical:</b>               |                        |
| Rated flow:                     | 55.5 US GPM            |
| Rated head:                     | 25.59 ft               |
| Maximum head:                   | 39.37 ft               |
| TF class:                       | 110                    |
| Approvals:                      | cETLus, Proposition 65 |
| Approvals for drinking water:   | NSF372                 |
| Model:                          | E                      |
| <b>Materials:</b>               |                        |
| Pump housing:                   | Stainless steel        |
| Pump housing:                   | EN 1.4308              |
| Pump housing:                   | ASTM A351-CF8          |
| Impeller:                       | Composite              |
| <b>Installation:</b>            |                        |
| Range of ambient temperature:   | 32 .. 104 °F           |
| Maximum operating pressure:     | 174.05 psi             |
| Flange standard:                | GF                     |
| Pipe connection:                | GF15/26/40/43          |
| Pressure rating for connection: | PN 12                  |
| Port-to-port length:            | 8 9/16 in              |
| <b>Liquid:</b>                  |                        |
| Pumped liquid:                  | Water                  |
| Liquid temperature range:       | 14 .. 230 °F           |
| Selected liquid temperature:    | 140 °F                 |
| Density:                        | 61.35 lb/ft³           |
| <b>Electrical data:</b>         |                        |
| Maximum power input - P1:       | 448 W                  |
| P1 min.:                        | 16 W                   |
| Mains frequency:                | 60 Hz                  |
| Rated voltage:                  | 1 x 115 V              |
| Minimum current consumption:    | 0.26 A                 |
| Maximum current consumption:    | 3.96 A                 |
| Enclosure class (IEC 34-5):     | X4D                    |
| Insulation class (IEC 85):      | F                      |
| <b>Others:</b>                  |                        |
| Energy (EEL):                   | 0.19                   |
| Net weight:                     | 32.2 lb                |
| Gross weight:                   | 35.6 lb                |
| Shipping volume:                | 1.06 ft³               |
| Country of origin:              | US                     |
| Custom tariff no.:              | 8413.70.2005           |

