

Qty.	Description
------	-------------

1	<b>MAGNA1 40-180 F</b>
---	------------------------



Product No.: [98126807](#)

The Grundfos MAGNA1 circulator pump is the simple option for a job well done.

With its high energy efficiency the product lives up to the EuP 2015 regulations ensuring substantial savings on electricity, and with its intuitive, user-friendly interface and maintenance-free design, MAGNA1 is the ideal circulator pump for applications with basic performance needs.

The pump is maintenance-free due to the canned-rotor type design.

MAGNA1 can work as main pump in both heating and cooling applications, including:

- Mixing loops
- Heating surfaces
- Air-conditioning surfaces
- Ground-source heat pump systems
- Smaller chiller applications.

MAGNA1 is a single-phase pump and characterized by having the controller and operating panel integrated in the control box.

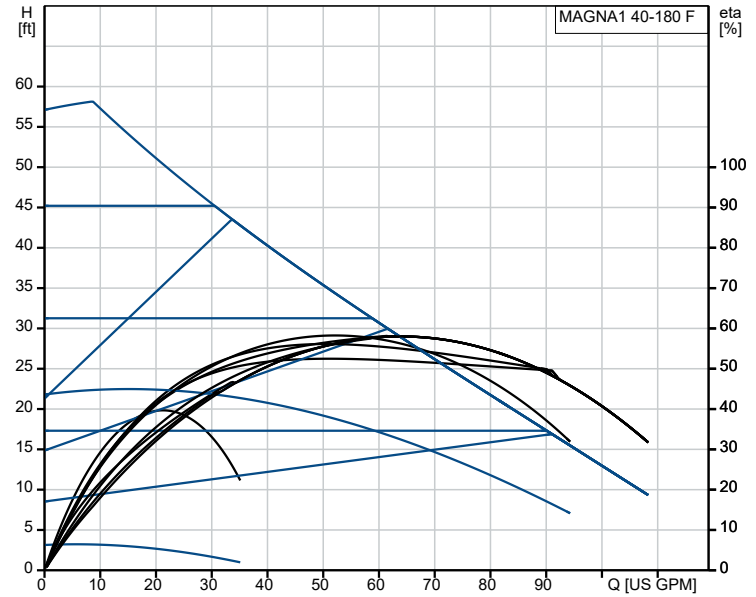
The pump housing is available in both cast-iron and stainless-steel versions.

The composite rotor can is carbon-fiber reinforced, the bearing plate and rotor cladding are made of stainless steel and the stator housing is made of aluminum.

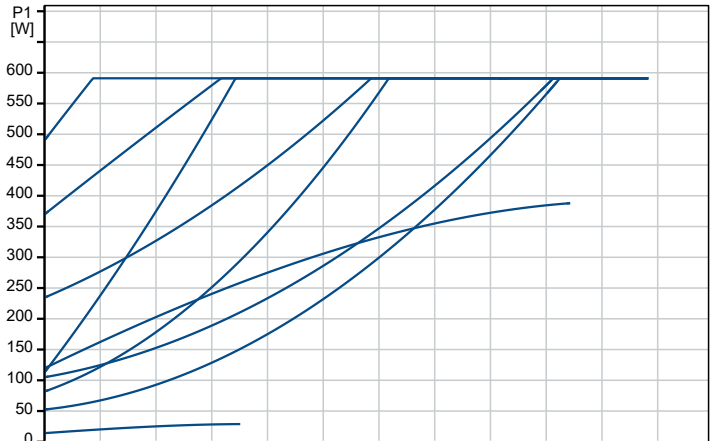
The power electronics are air-cooled.

The pump incorporates a 4-pole synchronous, permanent-magnet motor (PM motor). This motor type is characterized by higher efficiency than a conventional asynchronous squirrel-cage motor. The pump speed is controlled by an integrated frequency converter.

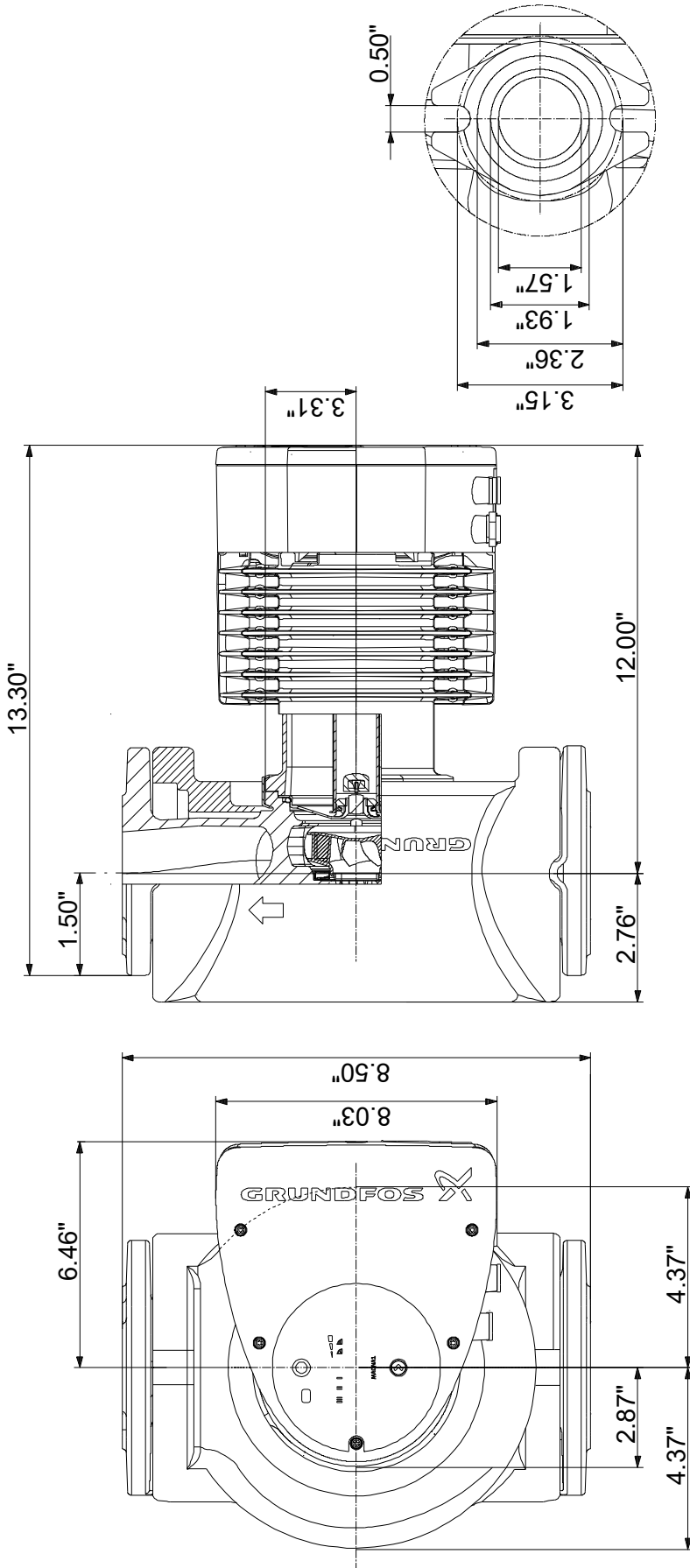
Description	Value
<b>General information:</b>	
Product name:	MAGNA1 40-180 F
Product No:	98126807
EAN number:	5710629499691
<b>Technical:</b>	
Head max:	59.06 ft
TF class:	110
Approvals:	cETLus, Proposition 65
Model:	B
<b>Materials:</b>	
Pump housing:	Cast iron
Pump housing:	EN-GJL-250
Pump housing:	ASTM A48-250B
Impeller:	PES 30%GF
<b>Installation:</b>	
Range of ambient temperature:	32 .. 104 °F
Maximum operating pressure:	174.05 psi
Flange standard:	GF
Pipe connection:	GF15/26/40/43
Pressure rating:	PN12
Port-to-port length:	8 9/16 in
<b>Liquid:</b>	
Pumped liquid:	Water
Liquid temperature range:	14 .. 230 °F
Selected liquid temperature:	140 °F
Density:	61.35 lb/ft³
<b>Electrical data:</b>	
Power input - P1:	17 .. 594 W
Mains frequency:	60 Hz
Rated voltage:	1 x 115 V
Maximum current consumption:	0.26 .. 5.22 A
Enclosure class (IEC 34-5):	X4D
Insulation class (IEC 85):	F
<b>Others:</b>	
Energy (EEI):	0.20
Net weight:	30.8 lb
Gross weight:	34 lb
Shipping volume:	1.06 ft³
Country of origin:	US
Custom tariff no.:	8413.70.2005



Pumped liquid = Water  
Liquid temperature during operation = 140 °F  
Density = 61.35 lb/ft³



## 98126807 MAGNA1 40-180 F 60 Hz



Note! All units are in [in] unless others are stated.  
Disclaimer: This simplified dimensional drawing does not show all details.