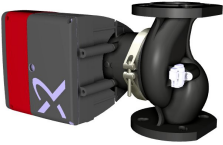


PROJECT:	UNIT TAG:	QUANTITY:
REPRESENTATIVE: _____	TYPE OF SERVICE:	DATE: _____
ENGINEER:	SUBMITTED BY: David w	DATE:
CONTRACTOR:	APPROVED BY:	DATE:
	ORDER NO.:	DATE:

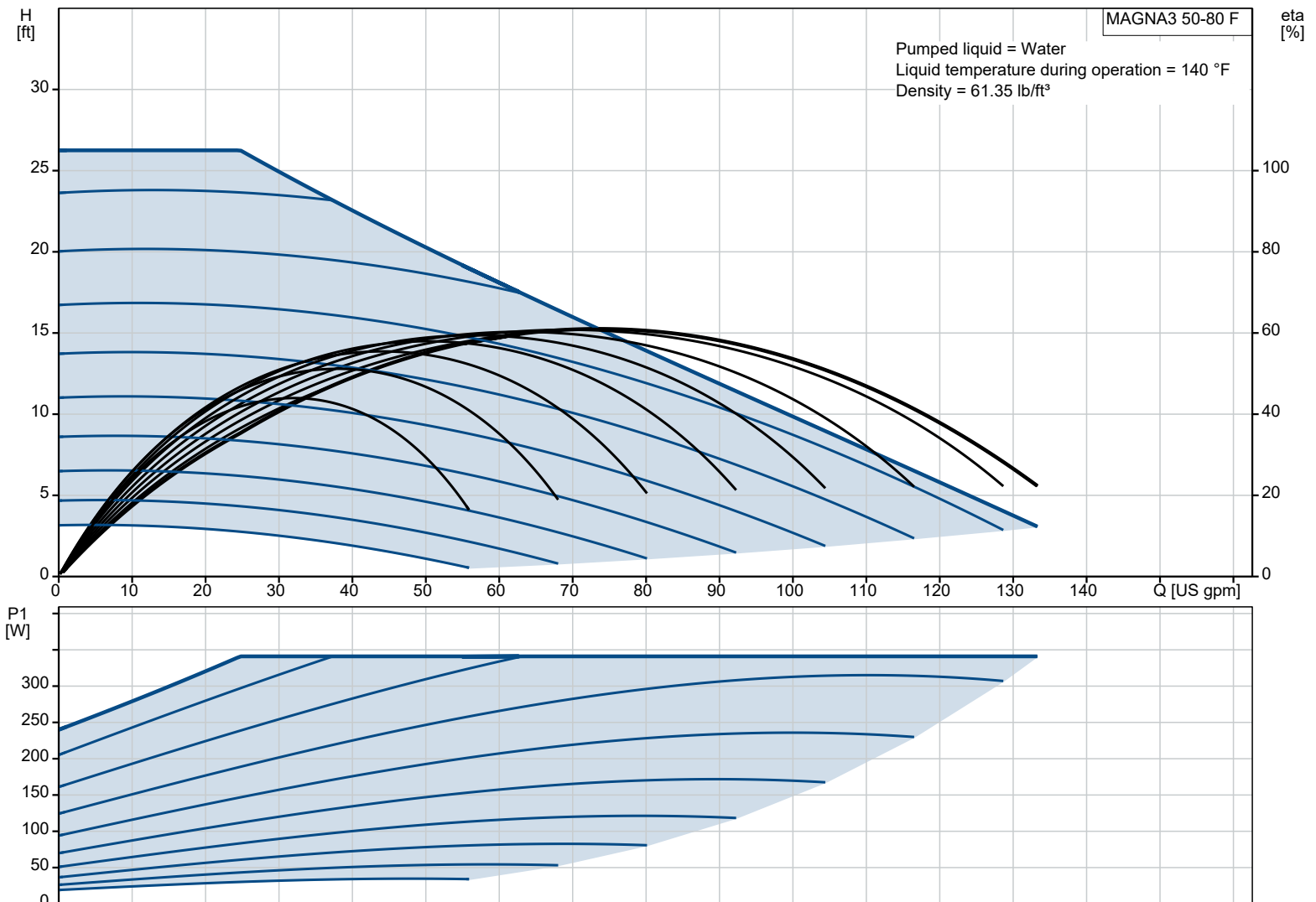
MAGNA3 50-80 F

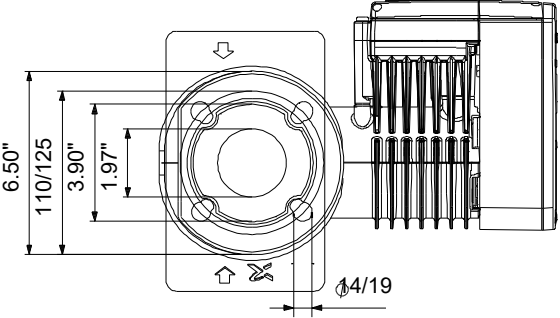
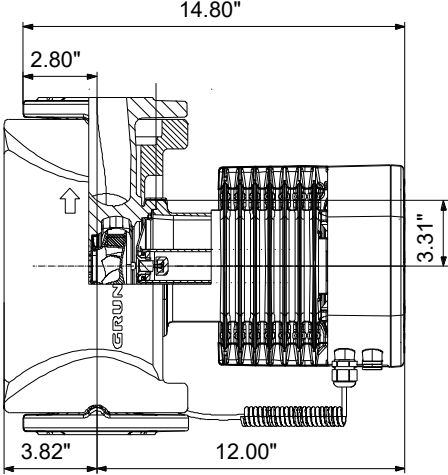
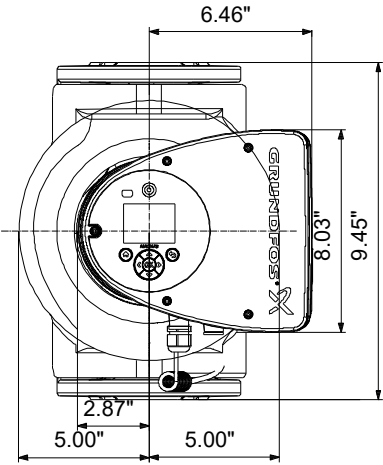


The premium choice when system control and monitoring is key. The MAGNA3 supports fieldbus by optional CIM modules and has a TFT display for intuitive configuration of the intelligent features.

Product photo could vary from the actual product

Conditions of Service		Pump Data		Motor Data	
Liquid:	Water	Maximum operating pressure:	174.05 psi	P1 max:	18.5 .. 341 W
Temperature:	140 °F	Liquid temperature range:	14 .. 230 °F	Main frequency:	60 Hz
Specific Gravity:	0.985	Maximum ambient temperature:	104 °F	Enclosure class:	X4D
		Flange standard:	GF	Insulation class:	F
		Pipe connection:	GF53		
		Product number:	98126812		

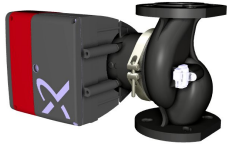




Materials:
Pump housing: Cast iron
Pump housing: EN-GJL-250
Pump housing: ASTM A48-250B
Impeller: PES 30%GF

Count	Description
-------	-------------

1	MAGNA3 50-80 F
---	-----------------------



Product No.: [98126812](#)

The Grundfos MAGNA3 circulator pump is the ideal choice for almost any building project – old or new. With its unrivalled energy efficiency, all-encompassing range and built-in communication capabilities, MAGNA3 is ideal for engineers and specifiers looking to create high-performance heating and cooling systems.

The pump is maintenance-free due to the canned-rotor type design. This also means that pump and motor form an integral unit without shaft seal and with only two gaskets for sealing. The bearings are lubricated by the pumped liquid.

MAGNA3 features an intuitive display and allows you to connect wirelessly with the Grundfos GO Remote app, giving you access to advanced reporting and monitoring.

The pump includes fieldbus communication via CIM modules as well as analog and digital inputs and configurable relays.

Control features include AUTOADAPT and FLOWADAPT. FLOWADAPT which reduces the need for throttling valves, thus cutting costs on system components.

MAGNA3 is the superior choice for a wide range of heating and cooling applications, including:

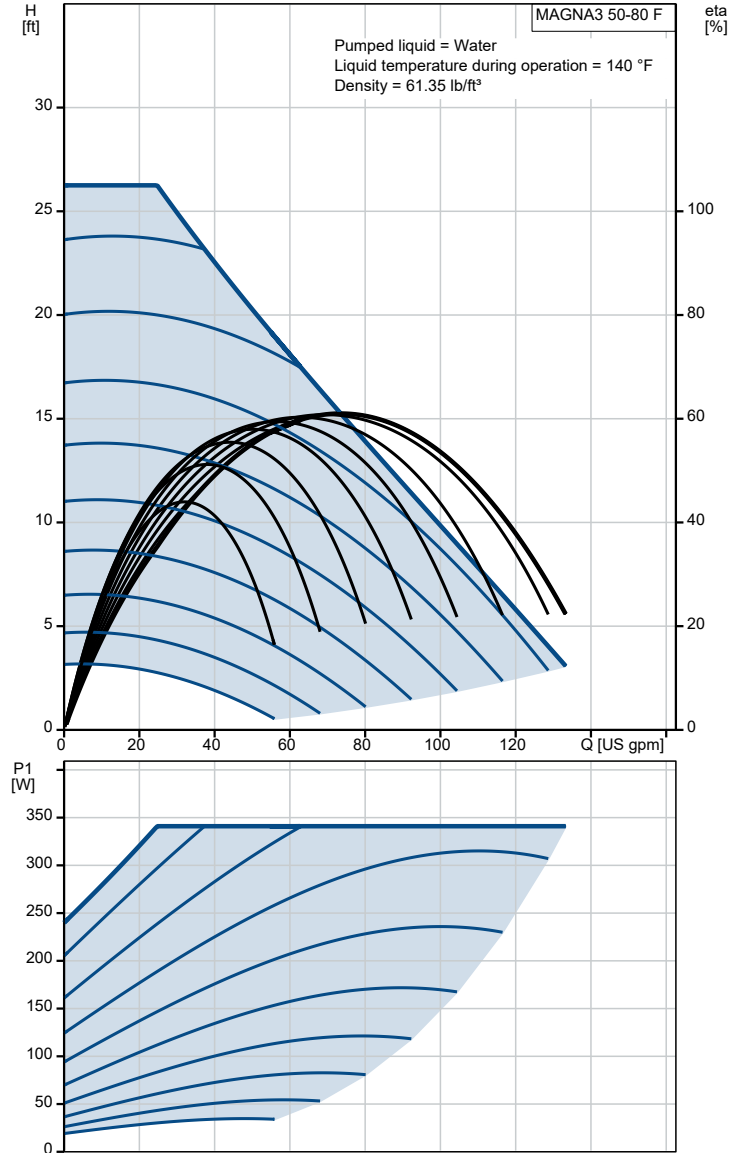
- Mixing loops
- Heating surfaces
- Air conditioning surfaces
- Ground-source heat pump systems
- Smaller chiller applications.

MAGNA3 is a single-phase pump and characterised by having the controller and control display integrated in the control box. The pump also has a built-in differential-pressure and temperature sensor.

The pump housing is available in both cast-iron and stainless-steel versions. The composite rotor can is carbon-fibre reinforced, the bearing plate and rotor cladding are made of stainless steel and the stator housing is made of aluminium. The power electronics are air-cooled.

MAGNA3 incorporates a 4-pole synchronous, permanent-magnet motor (PM motor). This motor type is characterised by higher efficiency than a conventional asynchronous squirrel-cage motor. The pump speed is controlled by an integrated frequency converter.

Description	Value
General information:	
Product name:	MAGNA3 50-80 F
Product No.:	98126812
EAN:	5710629499745
Technical:	
Rated flow:	68.2 US gpm
Rated head:	15.75 ft
Head max:	26.25 ft
TF class:	110
Approvals:	cETLus, Proposition 65
Model:	D
Materials:	
Pump housing:	Cast iron
Pump housing:	EN-GJL-250
Pump housing:	ASTM A48-250B
Impeller:	PES 30%GF
Installation:	
Range of ambient temperature:	32 .. 104 °F
Maximum operating pressure:	174.05 psi
Flange standard:	GF
Pipe connection:	GF53
Pressure stage:	PN12
Port-to-port length:	9 1/2 in
Liquid:	
Pumped liquid:	Water
Liquid temperature range:	14 .. 230 °F
Selected liquid temperature:	140 °F
Density:	61.35 lb/ft ³
Electrical data:	
Power input - P1:	18.5 .. 341 W
Main frequency:	60 Hz
Rated voltage [V]:	1 x 115 V
Maximum current consumption:	0.31 .. 3.09 A
Enclosure class (IEC 34-5):	X4D
Insulation class (IEC 85):	F
Others:	
Energy (EEI):	0.19
Net weight:	40.5 lb
Gross weight:	45.1 lb
Shipping volume:	1.62 ft ³



98126812 MAGNA3 50-80 F 60 Hz

