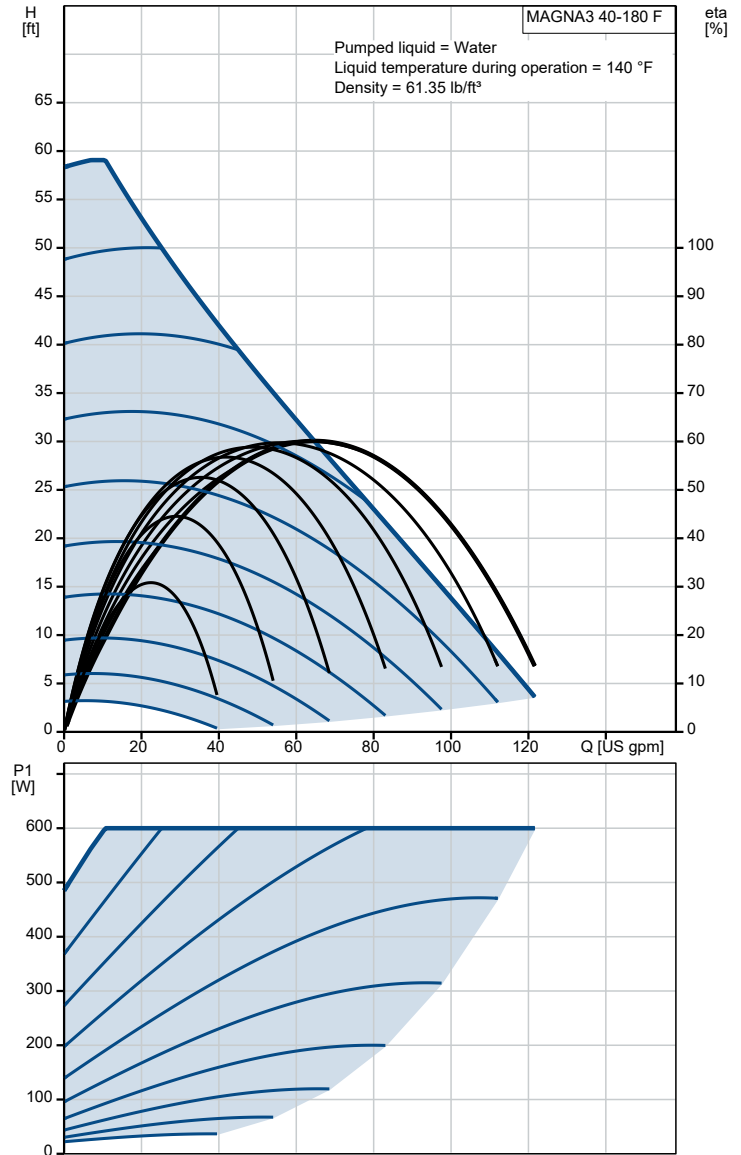
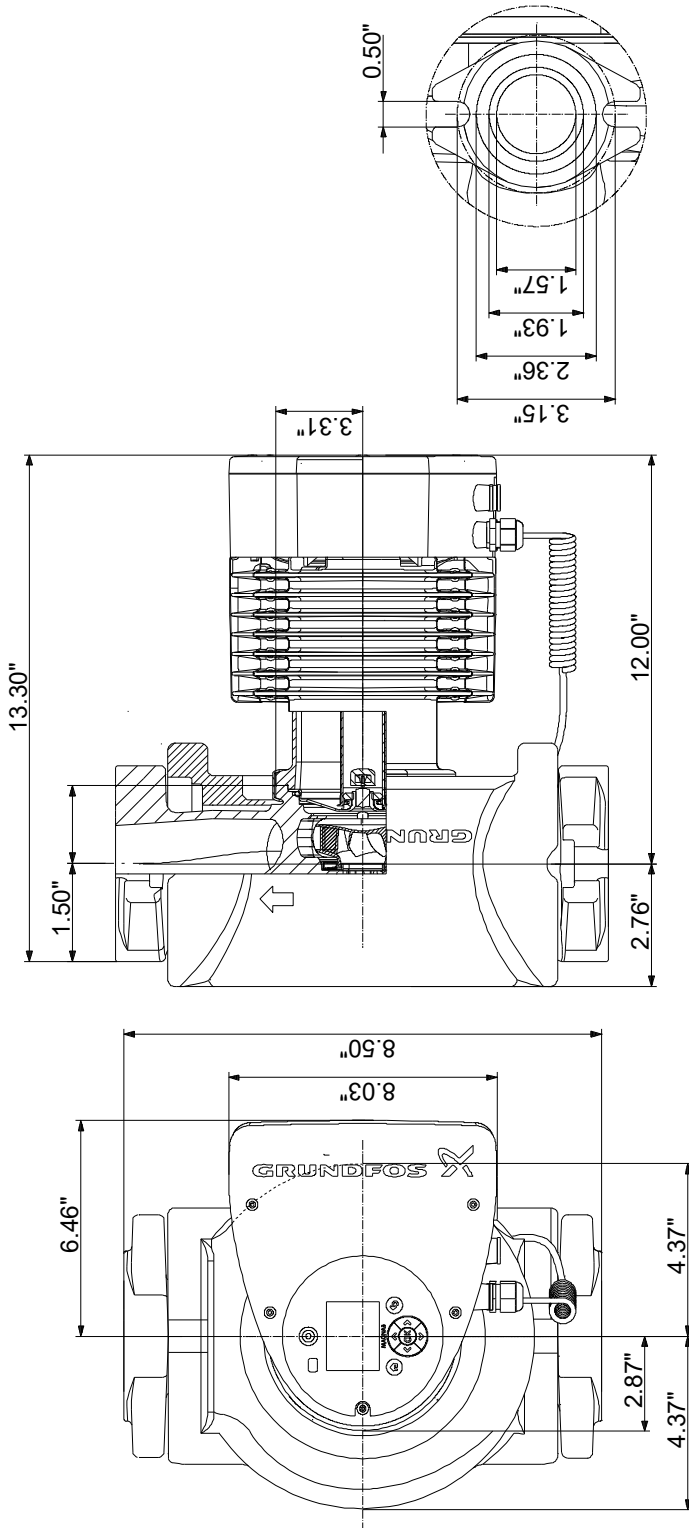


Description	Value
General information:	
Product name:	MAGNA3 40-180 F
Product No.:	98126836
EAN:	5710629499981
Technical:	
Rated flow:	62.1 US gpm
Rated head:	31.5 ft
Head max:	59.06 ft
TF class:	110
Approvals:	cETLus
Model:	D
Materials:	
Pump housing:	Cast iron
Pump housing:	EN-GJL-250
Pump housing:	ASTM A48-250B
Impeller:	PES 30%GF
Installation:	
Range of ambient temperature:	32 .. 104 °F
Maximum operating pressure:	174.05 psi
Flange standard:	GF
Pipe connection:	GF15/26/40/43
Pressure stage:	PN12
Port-to-port length:	8 9/16 in
Liquid:	
Pumped liquid:	Water
Liquid temperature range:	14 .. 230 °F
Selected liquid temperature:	140 °F
Density:	61.35 lb/ft ³
Electrical data:	
Power input - P1:	16 .. 600 W
Main frequency:	60 Hz
Rated voltage:	1 x 208-230 V
Maximum current consumption:	0.18 .. 2.65 A
Enclosure class (IEC 34-5):	X4D
Insulation class (IEC 85):	F
Others:	
Energy (EEI):	0.19
Net weight:	30.8 lb
Gross weight:	34.1 lb
Shipping volume:	1.06 ft ³



98126836 MAGNA3 40-180 F 60 Hz



Service parts MAGNA3 40-180 F, Prod number 98126836
Produced After 1732 (production year and week number)

Pos	Description	Annotation	Classification Data	Part no.	Qty.	Unit
-	Kit, clamp			98700282	1	pcs
92	Clamp cpl.				1	
-	Kit, Connector plugs			98607782	1	pcs
	Box				1	
159b	Connector plug 4-pole				1	
159b	Connector plug 3-pole				2	
159b	Connector plug 3-pole				1	
-	Kit, Cont. box cover front end			99341976	1	pcs
164a	Screw DELTA PT				5	
164	Cover				1	
-	Kit, gaskets			98721416	1	pcs
	Gasket				2	
- 450	Kit, Insulation shell			98827415	1	pcs
450	Insulation				1	
-	Kit, O-rings			98148761	1	pcs
301a	O-ring				1	
-	Kit, pump head			98460165	1	pcs
92	Clamp cpl.				1	
- 301	Pump head				1	
	Rotor can cpl.					
-	Shaft w/impeller cpl.					
-	Bearing plate cpl.					
301a	O-ring					
-	Stator w/housing cpl.					
	Stator housing					
-	Kit, sensor			99313067	1	pcs
530	Cable				1	
531	Sensor				1	
534a	Pan head thread forming screw				1	
534	Bracket				1	
-	Kit, sensor			99313072	1	pcs
530	Cable				10	
531	Sensor				10	
- 530b	Kit, Sensor cable			98700244	1	pcs
530b	Cable				1	
-	Pump housing cpl.			98660089	1	pcs
45	Neck ring cpl.			98962025	1	
7a	Combi Slot Torx screw			96886324	1	pcs