

PROJECT:	UNIT TAG:	QUANTITY:
REPRESENTATIVE: _____	TYPE OF SERVICE:	DATE: _____
ENGINEER:	SUBMITTED BY: David w	DATE:
CONTRACTOR:	APPROVED BY:	DATE:
	ORDER NO.:	DATE:

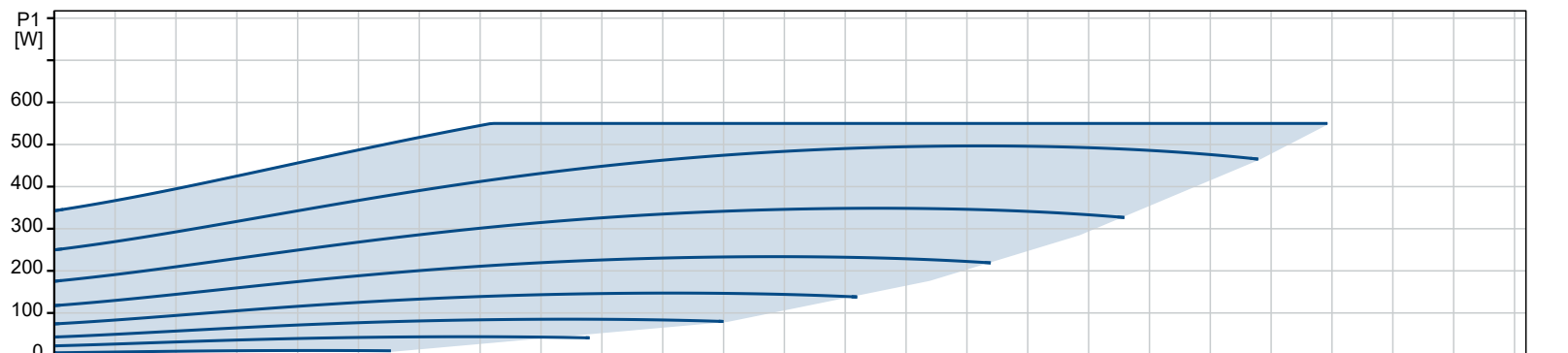
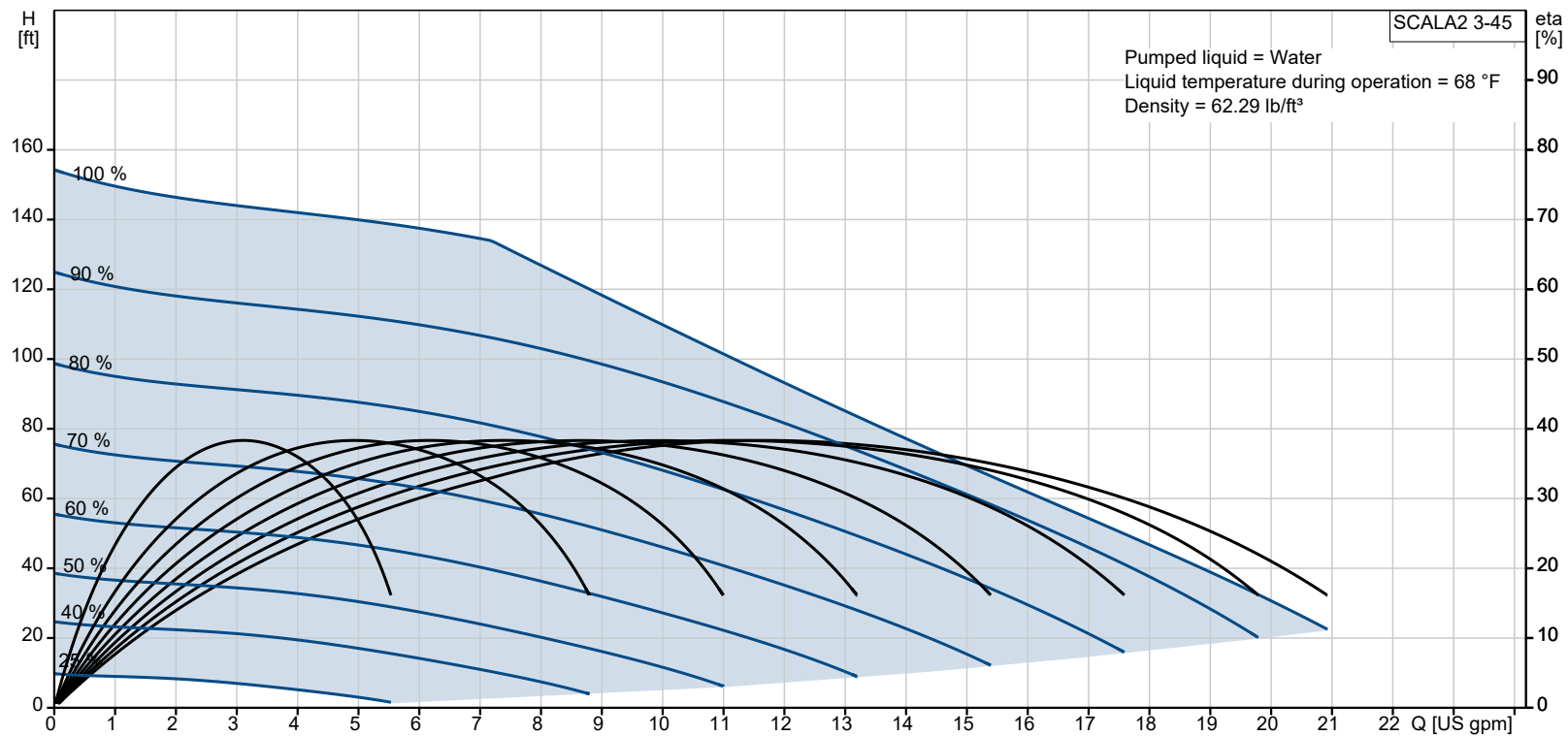
SCALA2 3-45 A

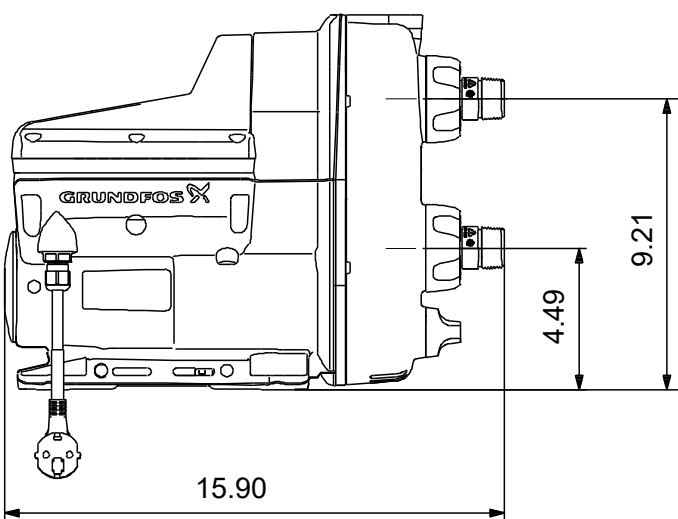
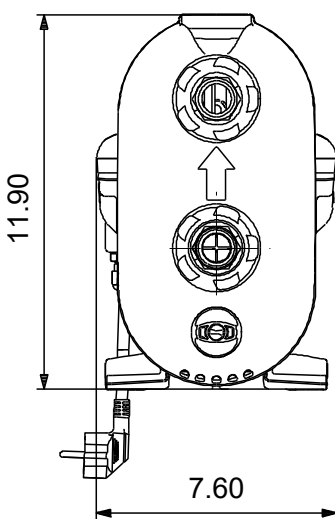


SCALA2 is a fully integrated, self-priming, compact pump designed for pressure boosting in domestic applications. SCALA2 has integrated speed control which allows maintaining perfect pressure in the taps.

Product photo could vary from the actual product

Conditions of Service		Pump Data		Motor Data	
Liquid:	Water	Maximum operating pressure:	145 psi	Rated voltage:	115 V
Temperature:	68 °F	Liquid temperature range:	32 .. 113 °F	Main frequency:	60 Hz
Specific Gravity:	1.000	Maximum ambient temperature:	113 °F	Enclosure class:	ENCLOSURE TYPE 3
		Product number:	98562818		





Materials:
Pump housing: Composite
Impeller: Composite
Impeller: NORYL FE1630PW PPE+PS-GS30
Material code: A

Count	Description
-------	-------------

1	<p>SCALA2 3-45 A</p>  <p>Product No.: 98562818</p> <p>Grundfos SCALA2 is a fully integrated, self-priming, compact waterworks for pressure boosting in domestic applications. SCALA2 incorporates integrated speed control enabling the keeping of the perfect pressure at the taps, meaning that the pump performance will increase with increasing demand.</p> <p>SCALA2 can be installed in three easy steps:</p> <ol style="list-style-type: none"> 1. Connect the pipes. 2. Prime the pump. 3. Plug the pump into the power outlet and the pump will start. <p>Grundfos SCALA2 has all the components necessary to ensure a comfortable pressure:</p> <ul style="list-style-type: none"> • intelligent controller • integrated speed-controlled drive • integrated tank • integrated sensors • integrated non-return valves. <p>As it is self-priming, the SCALA2 is able to pump water from a level below the pump. Provided it is filled with water, the pump is able to lift water from a depth of 8 m in less than 5 minutes. This facilitates easy installation and start-up of the pump and provides more reliable water supply in installations where there is a risk of dry running and leakages in suction hose or pipes.</p> <p>If exposed to dry running, water shortage or excessive temperature, blocked pump, for example in case of seizure or overload, the pump will stop automatically, thus preventing a motor burnout.</p> <p>The pump features an automatic reset function. In case of dry running or similar alarm, the pump will stop. Restarting will be attempted every 5 minutes 8 times, there after new restart attempts will occur every 24 hours. The automatic reset function can be deactivated.</p> <p>Thanks to its hydraulic design, permanent magnet motor and water cooling, the pump is extremely low-noise, 47 dB(A) in typical use, which makes it suitable for indoor as well as outdoor use. □Max. Noise level at full load are 53 dB(A)</p> <p>The built-in pressure tank reduces the number of starts and stops in case of leakages in the pipe system, causing less wear on the pump.</p> <p>SCALA2 require no maintenance, but it is recommended to keep the pump clean, check the non-return valves and keep the ventilation holes free of dust</p> <p>Liquid: Pumped liquid: Water Liquid temperature range: 32 .. 113 °F Selected liquid temperature: 68 °F Density: 62.29 lb/ft³</p> <p>Technical: Rated flow: 13.2 US gpm Rated head: 88.59 ft</p>
---	--



Product No.: [98562818](#)

Grundfos SCALA2 is a fully integrated, self-priming, compact waterworks for pressure boosting in domestic applications. SCALA2 incorporates integrated speed control enabling the keeping of the perfect pressure at the taps, meaning that the pump performance will increase with increasing demand.

SCALA2 can be installed in three easy steps:

1. Connect the pipes.
2. Prime the pump.
3. Plug the pump into the power outlet and the pump will start.

Grundfos SCALA2 has all the components necessary to ensure a comfortable pressure:

- intelligent controller
- integrated speed-controlled drive
- integrated tank
- integrated sensors
- integrated non-return valves.

As it is self-priming, the SCALA2 is able to pump water from a level below the pump.

Provided it is filled with water, the pump is able to lift water from a depth of 8 m in less than 5 minutes.

This facilitates easy installation and start-up of the pump and provides more reliable water supply in installations where there is a risk of dry running and leakages in suction hose or pipes.

If exposed to dry running, water shortage or excessive temperature, blocked pump, for example in case of seizure or overload, the pump will stop automatically, thus preventing a motor burnout.

The pump features an automatic reset function. In case of dry running or similar alarm, the pump will stop. Restarting will be attempted every 5 minutes 8 times, there after new restart attempts will occur every 24 hours. The automatic reset function can be deactivated.

Thanks to its hydraulic design, permanent magnet motor and water cooling, the pump is extremely low-noise, 47 dB(A) in typical use, which makes it suitable for indoor as well as outdoor use. □Max. Noise level at full load are 53 dB(A)

The built-in pressure tank reduces the number of starts and stops in case of leakages in the pipe system, causing less wear on the pump.

SCALA2 require no maintenance, but it is recommended to keep the pump clean, check the non-return valves and keep the ventilation holes free of dust

Liquid:
Pumped liquid: Water
Liquid temperature range: 32 .. 113 °F
Selected liquid temperature: 68 °F
Density: 62.29 lb/ft³

Technical:
Rated flow: 13.2 US gpm
Rated head: 88.59 ft



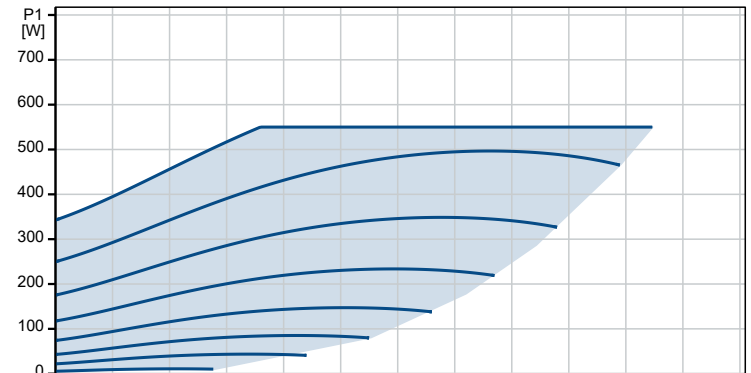
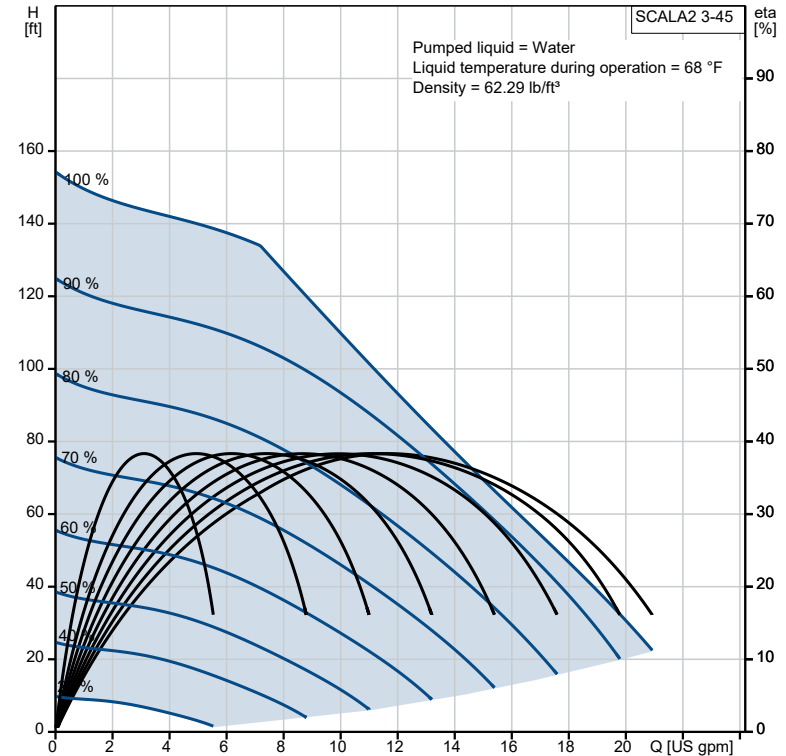
Company name:
Created by:
Phone:

Date: 11/9/2022

Count Description

1	Primary shaft seal: CARBON/CERAMIC
	Approvals and markings: CULUS
	Approvals for drinking water: cULus NSF372,cULus DW NSF61
	Curve tolerance: ISO9906:2012 3B
	Materials:
	Pump housing: Composite
	Pump: NORYL FE1630PW PPE+PS-GS30
	Impeller: Composite
	NORYL FE1630PW PPE+PS-GS30
	Installation:
	Range of ambient temperature: 32 .. 113 °F
	Maximum operating pressure: 145 psi
	Maximum permissible inlet pressure: 87 psi
	Type of inlet connection: NPT(M)
	Type of outlet connection: NPT(M)
	Size of suction port: 1 inch
	Size of outlet port: 1 inch
	Pressure rating for connection: PN 10
	Electrical data:
	Power input - P1: 550 W
	Rated power - P2: 0.603 HP
	Main frequency: 60 Hz
	Rated voltage: 1 x 115 V
	Rated current: 4.9 A
	Enclosure class (IEC 34-5): ENCLOSURE TYPE 3
	Insulation class (IEC 85): F
	Length of cable: 6.56 ft
	Power plug: Type B (NEMA 5-15)
	US plug 115V
	Others:
	Net weight: 21.3 lb
	Gross weight: 27.1 lb
	Shipping volume: 1.52 ft ³
	Storage temperature range: -40 .. 158 °F
	Country of origin: RS
	Custom tariff no.: 8413.70.2040

Description	Value
General information:	
Product name:	SCALA2 3-45 A
Product No.:	98562818
EAN:	5711497233875
Technical:	
Rated flow:	13.2 US gpm
Rated head:	88.59 ft
Head max:	147.6 ft
Primary shaft seal:	CARBON/CERAMIC
Approvals and markings:	CULUS
Approvals for drinking water:	cULus NSF372,cULus DW NSF61
Curve tolerance:	ISO9906:2012 3B
The first model is called Model A, followed by model B, C etc. Example: Harley Davidson Classic Model A, B, C, etc.:	A
Materials:	
Pump housing:	Composite
Pump:	NORYL FE1630PW PPE+PS-GS30
Impeller:	Composite
Impeller:	NORYL FE1630PW PPE+PS-GS30
Material code:	A
Installation:	
Range of ambient temperature:	32 .. 113 °F
Maximum operating pressure:	145 psi
Maximum permissible inlet pressure:	87 psi
Type of inlet connection:	NPT(M)
Type of outlet connection:	NPT(M)
Size of suction port:	1 inch
Size of outlet port:	1 inch
Pressure rating for connection:	PN 10
Liquid:	
Pumped liquid:	Water
Liquid temperature range:	32 .. 113 °F
Selected liquid temperature:	68 °F
Density:	62.29 lb/ft ³
Electrical data:	
Power input - P1:	550 W
Rated power - P2:	0.603 HP
Main frequency:	60 Hz
Rated voltage:	1 x 115 V
Rated current:	4.9 A
Enclosure class (IEC 34-5):	ENCLOSURE TYPE 3
Insulation class (IEC 85):	F
Length of cable:	6.56 ft
Power plug:	Type B (NEMA 5-15)
Power plug:	US plug 115V
Others:	
Net weight:	21.3 lb
Gross weight:	27.1 lb
Shipping volume:	1.52 ft ³
Storage temperature range:	-40 .. 158 °F
Country of origin:	RS
Custom tariff no.:	8413.70.2040



98562818 SCALA2 3-45 A 60 Hz

