

PROJECT: _____	UNIT TAG: _____	QUANTITY: _____
REPRESENTATIVE: _____	TYPE OF SERVICE: _____	DATE: _____
ENGINEER: _____	SUBMITTED BY: _____	DATE: _____
CONTRACTOR: _____	APPROVED BY: _____	DATE: _____
	ORDER NO.: _____	DATE: _____

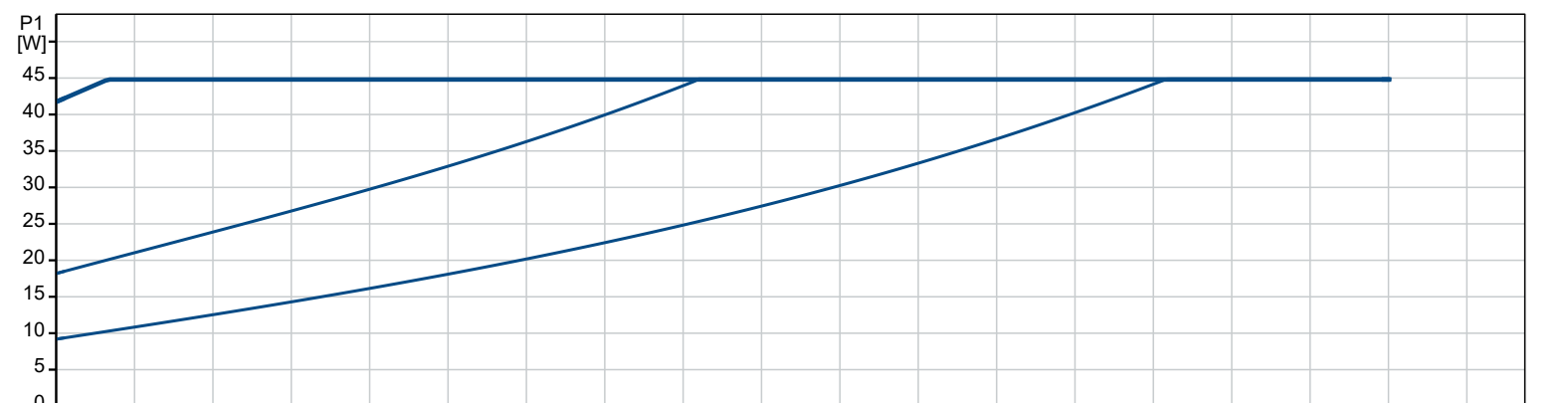
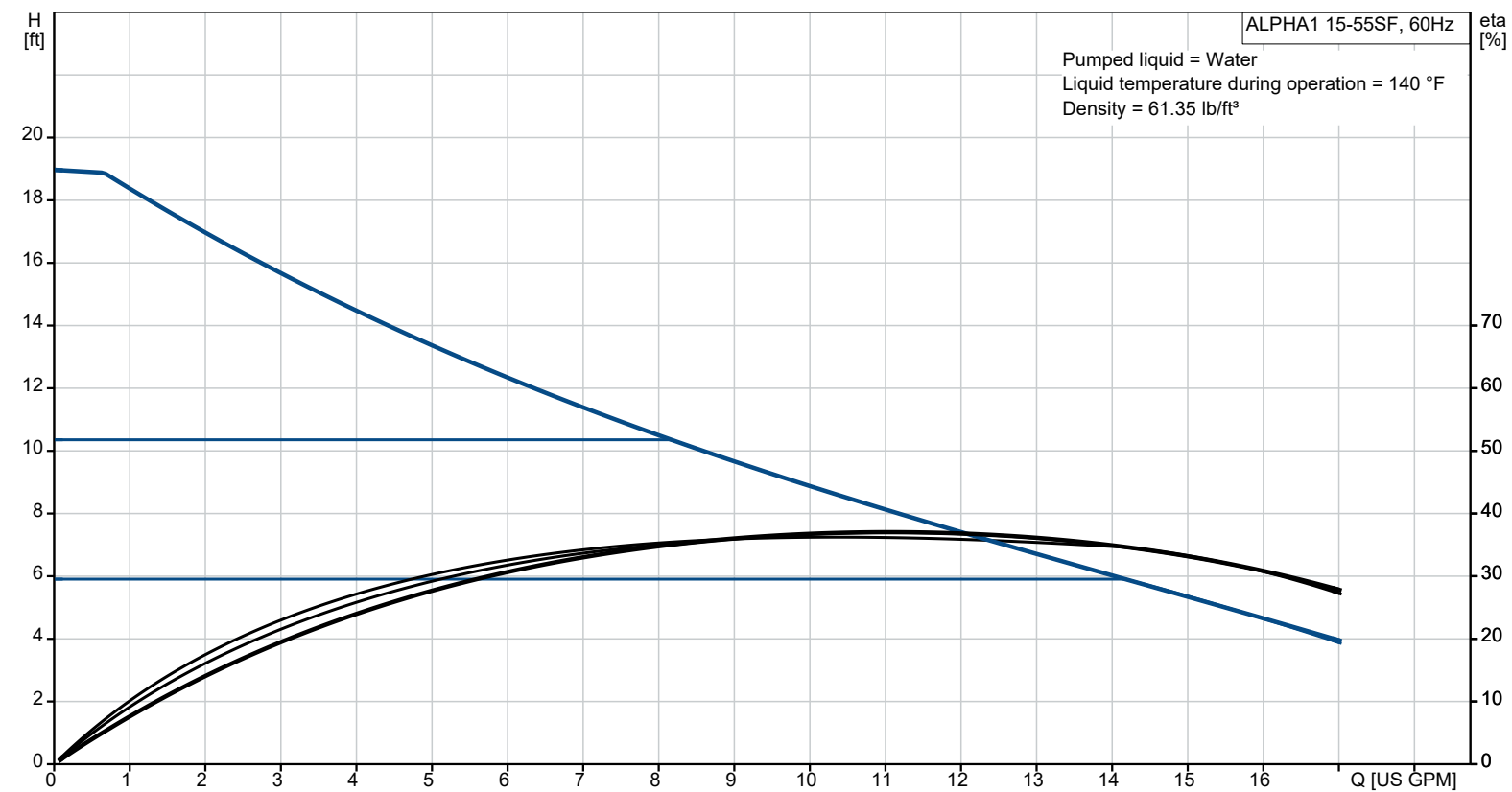
ALPHA1 15-55SF

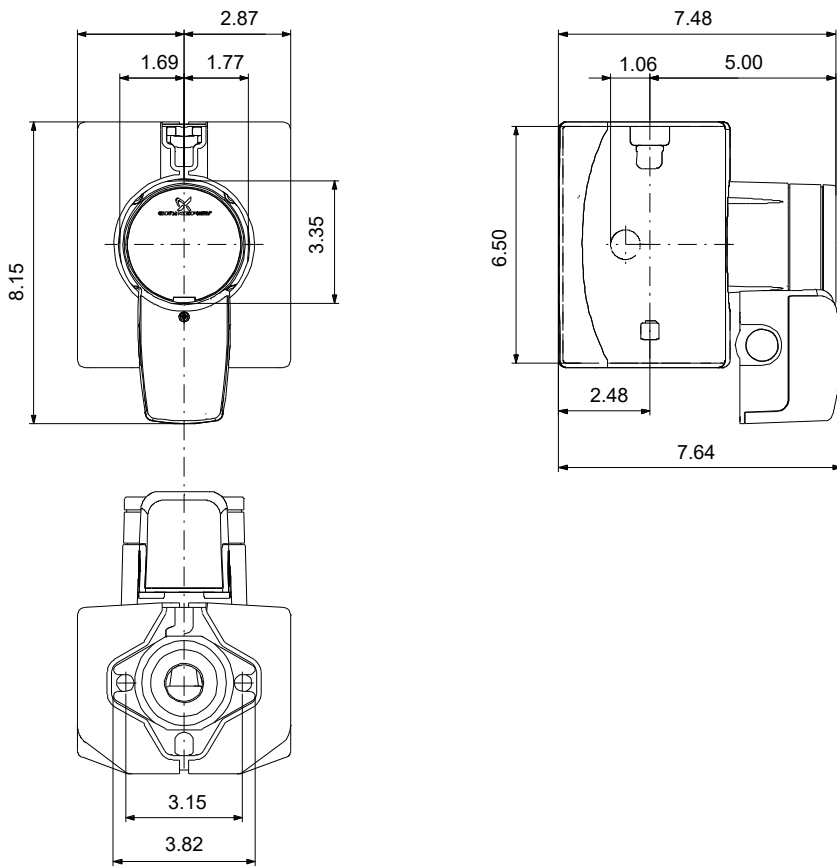


ALPHA1 15-55 is a high-efficiency ECM variable speed circulator designed for a variety of heating applications. The pump features three constant-pressure control modes.

Note! Product picture may differ from actual product

Conditions of Service		Pump Data		Motor Data	
Liquid:	Water	Liquid temperature range:	35.6 .. 230 °F	Mains frequency:	60 Hz
Temperature:	140 °F	Maximum ambient temperature:	104 °F	Enclosure class:	IP42
Specific Gravity:	0.985	Product number:	99287262	Thermal protection:	ELEC





Materials:

Pump housing: Stainless steel

Impeller: Composite

Qty. | Description

1 ALPHA1 15-55SF



Note! Product picture may differ from actual product

Product No.: [99287262](#)

The Grundfos ALPHA 1 is a high-efficiency, variable speed circulator fitted with electronically commutated motor. Designed for hot water recirculation systems.

It features a constant pressure control mode with three settings. The intuitive one-button operation and LED display makes the selection of the settings easy. The large LED display shows the current energy consumption in Watts and estimated flow in gallons per minute.

ALPHA1 materials and design are resistant to blockage from magnetite found in hydronic systems.

The robust startup enables ALPHA1 to continuously attempt to restart – indefinitely – in blocked rotor conditions.

ALPHA1 is complete with an integrated check-valve, and nut captures for flanges.

For power connection two options are available with either line cord or terminal box for conduit connections.

Liquid:

Pumped liquid: Water
Liquid temperature range: 35.6 .. 230 °F
Selected liquid temperature: 140 °F
Density: 61.35 lb/ft³

Technical:

Rated flow: 6.6 US GPM
Rated head: 8.202 ft
TF class: 110
Approvals: ETL, FCC, NSF

Materials:

Pump housing: Stainless steel
EN 1.4308
Impeller: Composite
Ultrason E 2010 G6 (PES 30%GF)

Installation:

Range of ambient temperature: 32 .. 104 °F
Maximum operating pressure: 145.04 psi
Type of connection: GF
Size of connection: 1 1/2 inch
Pressure rating for connection: PN 10
Port-to-port length: 6 1/2 in

Electrical data:

P1 min.: 5 W
P1 max.: 45 W
Mains frequency: 60 Hz
Rated voltage: 1 x 115 V
Minimum current consumption: 0.1 A
Maximum current consumption: 0.65 A
Enclosure class (IEC 34-5): IP42
Insulation class (IEC 85): F



Company name:

Created by:

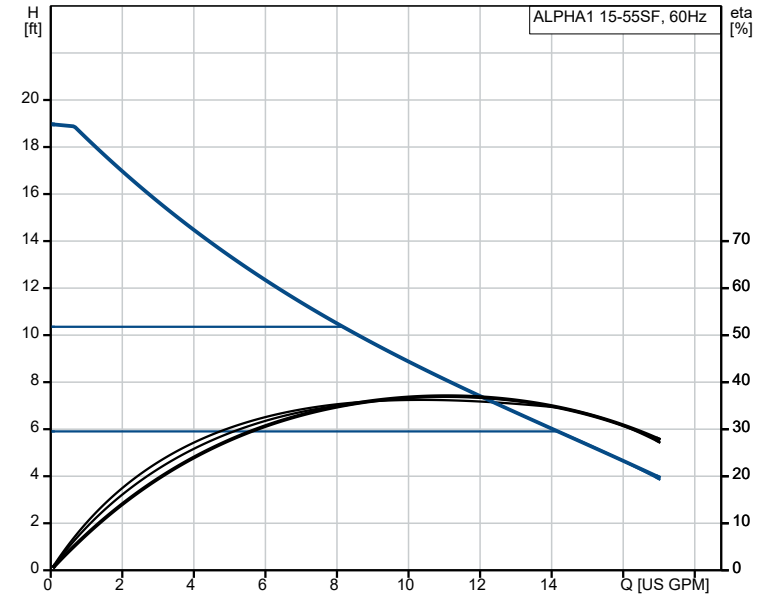
Phone:

Date:

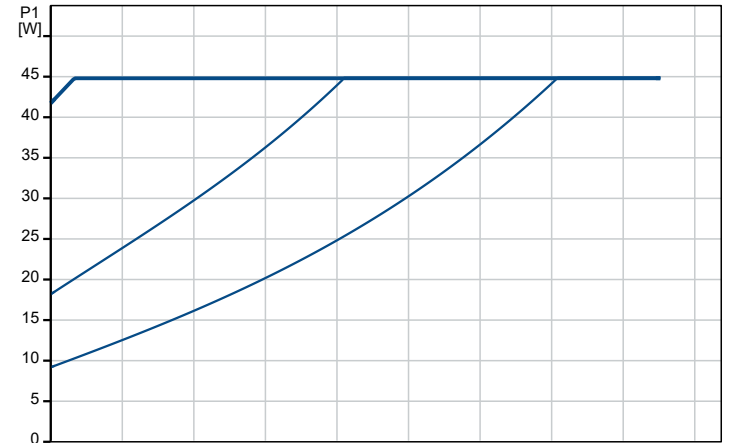
05/09/2024

Qty.	Description
1	Built-in motor protection: NONE
	Others:
	Terminal box position: 6H
	Net weight: 5.59 lb
	Gross weight: 6.35 lb
	Shipping volume: 0.28 ft ³

Description	Value
General information:	
Product name:	ALPHA1 15-55SF
Product No:	99287262
EAN number:	5713826610586
Price:	
Technical:	
Rated flow:	6.6 US GPM
Rated head:	8.202 ft
Maximum head:	18.05 ft
TF class:	110
Approvals:	ETL, FCC, NSF
Model:	A
Materials:	
Pump housing:	Stainless steel
Pump housing:	EN 1.4308
Impeller:	Composite
Impeller:	Ultrason E 2010 G6 (PES 30%GF)
Installation:	
Range of ambient temperature:	32 .. 104 °F
Maximum operating pressure:	145.04 psi
Type of connection:	GF
Size of connection:	1 1/2 inch
Pressure rating for connection:	PN 10
Port-to-port length:	6 1/2 in
Liquid:	
Pumped liquid:	Water
Liquid temperature range:	35.6 .. 230 °F
Selected liquid temperature:	140 °F
Density:	61.35 lb/ft ³
Electrical data:	
P1 min.:	5 W
P1 max.:	45 W
Mains frequency:	60 Hz
Rated voltage:	1 x 115 V
Minimum current consumption:	0.1 A
Maximum current consumption:	0.65 A
Enclosure class (IEC 34-5):	IP42
Insulation class (IEC 85):	F
Built-in motor protection:	NONE
Thermal protec:	ELEC
Others:	
Terminal box position:	6H
Net weight:	5.59 lb
Gross weight:	6.35 lb
Shipping volume:	0.28 ft ³
Sales region:	USA



Pumped liquid = Water
 Liquid temperature during operation = 140 °F
 Density = 61.35 lb/ft³



99287262 ALPHA1 15-55SF 60 Hz

