

811BH Small Diameter

APOLLOPRESS® Press End Copper Reducing Run Tee
CxCxC (1/2" through 2")

SUBMITTAL SHEET

"Apollo" Flow Controls



Job Name:	
Job Location:	
Engineer:	
Contractor:	
Tag:	
PO#:	
Rep:	
Wholesale Dist.:	

DESCRIPTION

The APOLLOPRESS® 811BH Small Diameter Press Reducing Run Tee features a lead free dezincification resistant copper body and an EPDM o-ring. APOLLOPRESS® products are manufactured utilizing proven ASTM materials and standards. Proudly made in the USA.

FEATURES

- Lead Free Construction
- Ridgid® XL Press Tool Compatible
- Leak Before Press® Technology
- Made in USA

PERFORMANCE RATING

- Maximum Pressure: 300 psi
- Temperature Range: 32°F to 250°F depending on application

STANDARD MATERIALS LIST

Body	UNS C12200 Copper
O-Ring	EPDM
Lubrication	Silicone, ANSI/NSF-61 Listed

APPROVALS

- UPC, cUPC & IPC
- IAPMO PS I17-2016 & TIL MSE-13
- NSF/ANSI 61 - Water Quality
- NSF/ANSI 372 - Lead Free

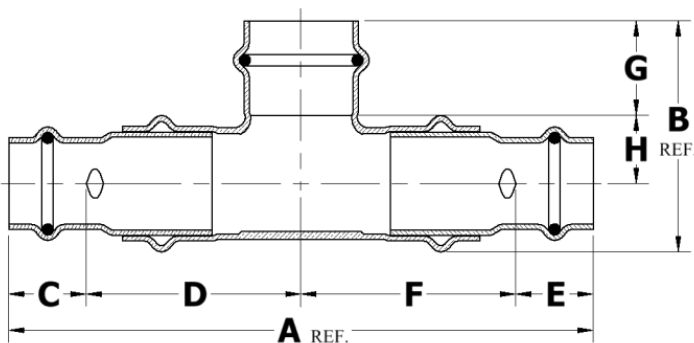
APOLLOPRESS®

- Small Diameter Sizes 1/2" through 2"
- Model 811BH, Reducing Run Tee

APOLLOPRESS® connectors are designed for direct mechanical connection to ASTM B88-Type K, L, and M copper tubing in the hard drawn condition. Press connectors are not suitable for steam or flammable gas service.

DIMENSIONS

ITEM NO.	SIZE (IN.)	DIMENSIONS (IN.)											WEIGHT (LB.)
		A	B	C	D	E	F	G	H	HEIGHT	WIDTH	DEPTH	
10066070	3/4x3/4x1/2	5.70	2.17	0.81	2.04	0.81	2.04	0.92	0.64	2.17	5.70	1.24	0.36
10066006	1/2x1/2x1	6.69	2.51	0.81	2.54	0.81	2.54	0.98	0.80	2.51	6.69	1.50	0.65
10066071	3/4x3/4x1	6.38	2.51	0.85	2.35	0.85	2.35	0.98	0.80	2.51	6.38	1.50	0.69
10066008	1x1x1-1/4	6.75	2.94	0.93	2.45	0.93	2.45	1.09	0.98	2.94	6.75	1.75	1.03
10066128	1x1x2	10.05	4.16	0.97	4.06	0.97	4.06	1.51	1.37	4.16	10.05	2.58	2.82
10066107	1-1/4x1-1/4x2	9.42	4.16	1.04	3.67	1.04	3.67	1.51	1.37	4.16	9.42	2.58	2.66
10066090	1-1/2x1-1/2x2	9.75	4.16	1.31	3.57	1.31	3.57	1.51	1.37	4.16	9.75	2.58	2.90



*LEAD FREE: The wetted surfaces of this product shall contain no more than 0.25% lead by weighted average. Complies with Federal Public Law III-380. ANSI 3rd party approved and listed.

Customer Service (704) 841-6000
www.apolloflowcontrols.com

This specification is provided for reference only. Conbraco Industries Inc. reserves the right to change any portion of this specification without notice and without incurring obligation to make such changes to Conbraco products previously or subsequently sold. Please visit apolloflowcontrols.com for the most current information.

