

Bypass Meter Bars - 6410 Series

HORIZONTAL INLET AND HORIZONTAL OUTLET, 2 INTEGRAL PLUG VALVES, FLAT HEAD, 5 PSI, NO ATTACHED SWIVELS

A.Y. McDonald Mfg. Co. Bypass Meter Bars can be ordered to fit your requirements. Select the features you need from list below and build your own ordering number. Please note the difference in numbers between regular meter bars, and meter bars with built-in swivels. Meter bars with swivels have two extra blocks before the size to select the size and type of swivels.

TO ORDER:

Example: Model number 6410-EFD 3/4x3/4 1 means:



BLOCK 1 - METER BAR

6 = All meter bars

BLOCK 2 - METER BAR TYPE

4 = Bypass Meter bar w/valve
(Two integral 3-Port valves - relube)

BLOCK 3 - METER BAR SPREAD

1 = 6" spread

BLOCK 4 - END CONFIGURATION

0 = Horizontal inlet by horizontal outlet

BLOCK 5 - FINISH

- = Black Cast Iron
A = ArmorGalv® Thermal-Diffusion Zinc
C = ArmorGalv® Thermal-Diffusion Zinc and Painted
P = Painted

BLOCK 6 - OUTLET END TYPE

C = FNPT insulated O-ring union
D = FNPT insulated O-ring union (reducing NPT)
E = FNPT insulated flat gasket union (reducing NPT)
F = FNPT insulated flat gasket union

BLOCK 7 - TAP LOCATION(S)

F = Pos. E Standard

See drawing on page 93 for positions

BLOCK 8 - TAP SIZE/PLUG TYPE

D = 1/4" NPT recessed hex plug
E = 1/4" NPT square head plug
F = 1/4" NPT no plug
P = 1/4" NPT temperature/pressure plug (Texas Fairfax)
Q = 1/4" NPT temperature/pressure plug (Pete's Plug)

Bypass Meter Bars



6410 Series
Instruction Sheet



Meter Bar Gasket Repair Union

Outlet Size	6301RB	6301RA	Insulated End	Gasket	Black Nut	ArmorGalv® Thermal-Diffusion Zinc Nut
1"	4821-013	4821-076	4822-404	4822-223	4810-987	4811-803
1" x 3/4"	4821-077	4821-079	4822-325	4822-223	4810-987	4811-803



Meter Bar O-ring Repair Union

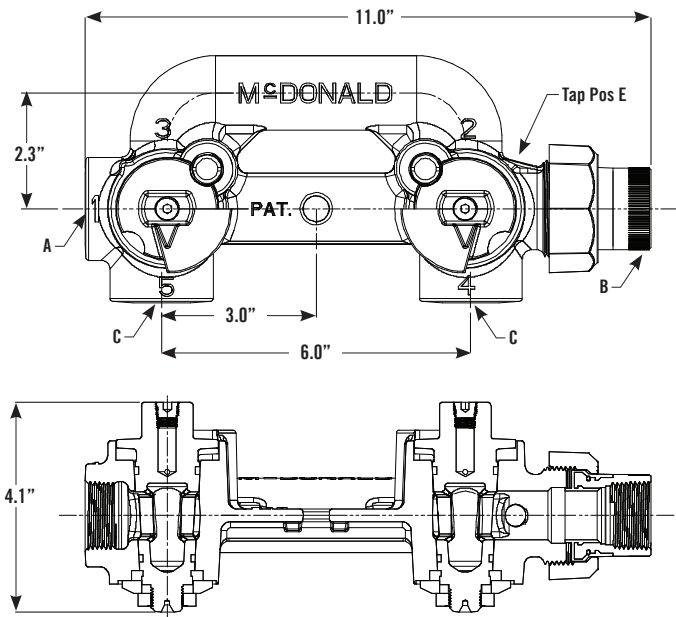
Outlet Size	6302RB	6302RA	Insulated End	O-ring	Black Nut	ArmorGalv® Thermal-Diffusion Zinc Nut
1"	4821-065	4821-067	4822-404	3134-216	4810-987	4811-803

Bypass Meter Bars - 6410 Series

HORIZONTAL INLET AND HORIZONTAL OUTLET, 2 INTEGRAL PLUG VALVES, FLAT HEAD, 5 PSI, NO ATTACHED SWIVELS

These bars are designed for use with natural, manufactured, and LP gases only.

Residential Meter Application



FNPT x Insulated Union with FNPT Tailpiece

FINISH OPTIONS

- 6410- Black Cast Iron
 - 6410A ArmorGalv® Thermal-Diffusion Zinc
 - 6410C ArmorGalv® Thermal-Diffusion Zinc and Painted
 - 6410P Painted
- Taps available on all the above finish options.

DIMENSIONS

Meter Bar Spread	A FNPT Inlet	B Insulated Union with FNPT Tailpiece	C Swivel Tap Size
6"	3/4" or 1"	*3/4" or 1"	3/4" or 1"

*3/4" outlet obtained with reducing endpiece

High security lock design integral valve

With Relube Valve - This A.Y. McDonald Mfg. Co. Gas Valve may be re-lubricated in the full open or full closed position when the valve is pressurized or unpressurized. See page 10.

For other bypass valve options see pages 19-36.

IT'S ABOUT TIME!

Bypass Systems That Make Sense.

Full Flow Even in Bypass Mode

- No interruption in service or reduction in flow capacity.
- No loss of pilot lights.
- Scheduling, re-lights, and associated cost are a thing of the past.
- Meter change-outs can be performed anytime, 12 months a year.

Safe - Fast - Secure

- No need for additional hoses, regulators, bottles, or any special tools.
- Your gas supply is always ready and regulated to the correct pressure.
- A few turns of the valves and your Bypass is complete.
- Industry proven locking design for theft protection.
- Performance testing proven at **gti**.



See our video on website for operation of the Bypass meter bar.

6410 Residential Meter Bar



Check Out The Video

It is about time, and time is money. If you want a real return on your investment \$\$, call us today for more information.