

Bypass Meter Bars - 6480 Series

HORIZONTAL INLET AND HORIZONTAL OUTLET, 2 INTEGRAL BALL VALVES, FLAT HEAD, 25 PSI, NO ATTACHED SWIVELS

A.Y. McDonald Mfg. Co. Bypass Meter Bars can be ordered to fit your requirements. Select the features you need from list below and build your own ordering number. Please note the difference in numbers between regular meter bars, and meter bars with built-in swivels. Meter bars with swivels have two extra blocks before the size to select the size and type of swivels.

TO ORDER:

Example: Model number **6480-CCD 1 1/2x1 1/2x1 1/2** means:



BLOCK 1 - METER BAR

6 = All meter bars

BLOCK 2 - METER BAR TYPE

4 = Bypass meter bar w/valve
(Two integral 3-Port valves)

BLOCK 3 - METER BAR SPREAD

8 = 8 1/4" spread

BLOCK 4 - END CONFIGURATION

0 = Horizontal inlet by horizontal outlet

BLOCK 5 - FINISH

- = Black Cast Iron
A = ArmorGalv® Thermal-Diffusion Zinc
C = ArmorGalv® Thermal-Diffusion Zinc and Painted
P = Painted

BLOCK 6 - OUTLET END TYPE

C = FNPT insulated O-ring union

BLOCK 7 - TAP LOCATION(S)

C = Pos. C Standard

See drawing on page 95 for positions

BLOCK 8 - TAP SIZE/PLUG TYPE

B = 1/8" NPT Square head plug
D = 1/4" NPT recessed hex plug
F = 1/4" NPT no plug
P = 1/4" NPT temperature/pressure plug (Texas Fairfax)
Q = 1/4" NPT temperature/pressure plug (Pete's Plug)



6480 Series
Instruction Sheet



Meter Bar O-ring Repair Union

Outlet Size	6302RB	6302RA	Insulated End	O-ring	Black Nut	ArmorGalv® Thermal-Diffusion Zinc Nut
1 1/4"	4821-083	4821-085	4811-807	3134-224	4810-989	4811-844
1 1/2"	4821-068	4821-070	4811-658	3134-227	4820-262	4811-848

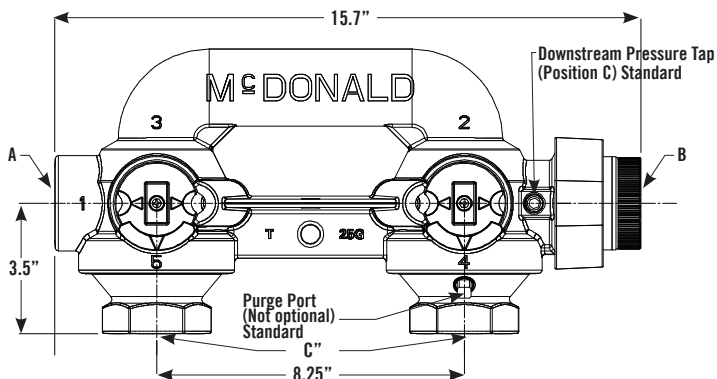
O-ring included with insulated end

Bypass Meter Bars - 6480 Series

HORIZONTAL INLET AND HORIZONTAL OUTLET, 2 INTEGRAL BALL VALVES, FLAT HEAD, 25 PSI, NO ATTACHED SWIVELS

These bars are designed for use with natural, manufactured, and LP gases only.

Commercial Bypass Meter Bar



FNPT x Insulated Union with FNPT Tailpiece

(Black Cast Iron Shown)

FINISH OPTIONS

- 6480- Black Cast Iron
- 6480A ArmorGalv® Thermal-Diffusion Zinc
- 6480C ArmorGalv® Thermal-Diffusion Zinc and Painted
- 6480P Painted

Taps available on all the above finish options.

High security lock design integral valve

For other bypass valve options see pages 19-36.

DIMENSIONS

Meter Bar Spread	A FNPT Inlet	B Insulated Union with FNPT Tailpiece	C Swivels Tap Size
8.25"	1 1/4" or 1 1/2"	1 1/4" or 1 1/2"	1 1/4" or 1 1/2"

6480 Commercial Bypass Meter Bar

IT'S ABOUT TIME! Bypass Systems That Make Sense.

Full Flow Even in Bypass Mode

- No interruption in service or reduction in flow capacity.
- No loss of pilot lights.
- Scheduling, re-lights, and associated cost are a thing of the past.
- Meter change-outs can be performed anytime, 12 months a year.

Safe - Fast - Secure

- No need for additional hoses, regulators, bottles, or any special tools.
- Your gas supply is always ready and regulated to the correct pressure.
- A few turns of the valves and your Bypass is complete.
- Industry proven locking design for theft protection.
- Performance testing proven at **gti**.



See our video on website for operation of the Bypass meter bar.



Check Out The Video

It is about time, and time is money. If you want a real return on your investment \$\$, call us today for more information.

Bypass Meter Bars