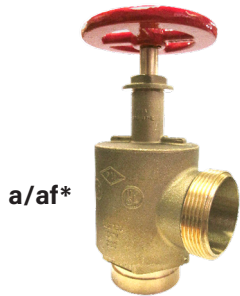


ANGLE HOSE VALVE

MODEL LVH



Lansdale Angle Hose Valves feature all brass construction with cast bodies for rigidity and light weight. Rated to 300 lbs. These valves can be used with a Fire Hose Rack Assembly or as a Fire Department Connection outlet.



a/af*

2-1/2 GROOVED INLET x NST;
NYCC; FDNY

FEATURES:

- **Sizes:** 1-1/2", 2-1/2"
- **Maximum Inlet Pressure:** 300 PSI
- **Inlet Connection:** FNPT or Grooved
- **Outlet Connection:** Male Hose, FNPT, Special Thread (optional)

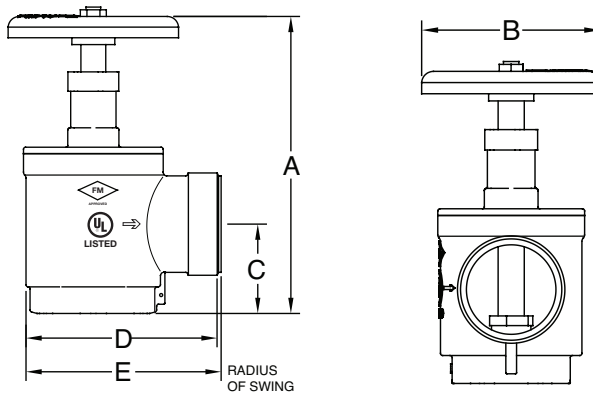
MATERIAL

- **Valve Body:** Brass C37700
- **O-Rings:** EPDM (A70)
- **Handwheel:** Aluminum A03600
- **Handwheel Bolt:** Brass C37700
- **Handwheel Washer:** 304 Stainless Steel

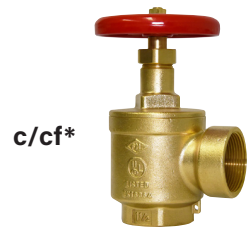


b/bf*

2-1/2 NPT x MNST, NYCC,
FDNY, FNST, MPHX, MTEMPE



*female outlet



c/cf*

1-1/2 NPT x MNST, or FNST

DIMENSIONS (In.) & WEIGHTS							
TYPE	A OPEN	A CLOSED	B	C	D	E	WEIGHT (LBS)
a	11-1/2	9-7/8	5	3-5/8	3-1/8	na	9
af*	11-1/2	9-7/8	5	3-5/8	3-3/8	na	9
b	10-5/8	8-7/8	5	2-3/4	3-1/8	3-1/2	8
bf*	10-5/8	8-7/8	5	2-3/4	3-3/8	3-3/4	8
c	7-3/4	6-3/4	4	2	2-1/2	2-3/4	4
cf*	7-3/4	6-3/4	4-1/8	2	2-5/8	2-7/8	4

PROJECT	APPROVAL STAMP
PROJECT:	<input type="checkbox"/> APPROVED
ADDRESS:	<input type="checkbox"/> APPROVED AS NOTED
ENGINEER:	<input type="checkbox"/> NOT APPROVED
SUBMITTAL DATA:	REMARKS:
NOTES 1:	
NOTES 2:	

ANGLE HOSE VALVE

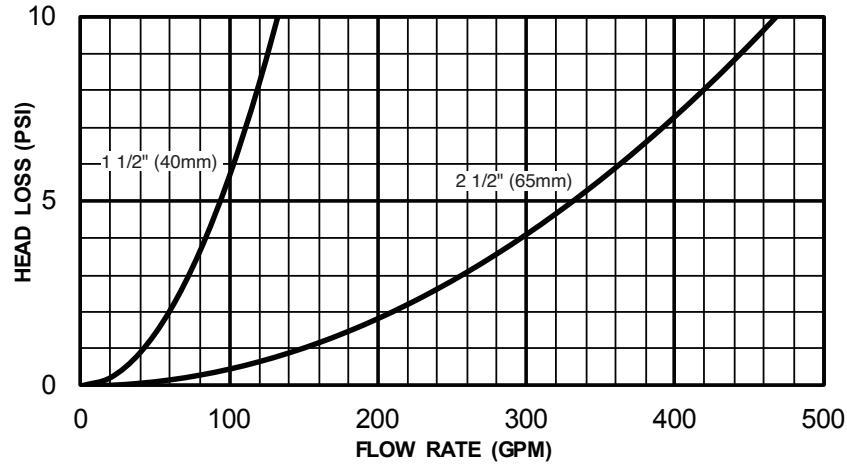
MODEL LVLHV



EX7402

Flow Characteristic

MODEL LVLHV PRESSURE LOSS



PROJECT	APPROVAL STAMP
PROJECT:	<input type="checkbox"/> APPROVED
ADDRESS:	<input type="checkbox"/> APPROVED AS NOTED
ENGINEER:	<input type="checkbox"/> NOT APPROVED
SUBMITTAL DATA:	REMARKS:
NOTES 1:	
NOTES 2:	