

DWV HANGERS

Allows vertical adjustment of pipe installation

- Designed for rapid installation of DWV piping systems
- Locking screw keeps pipe secure

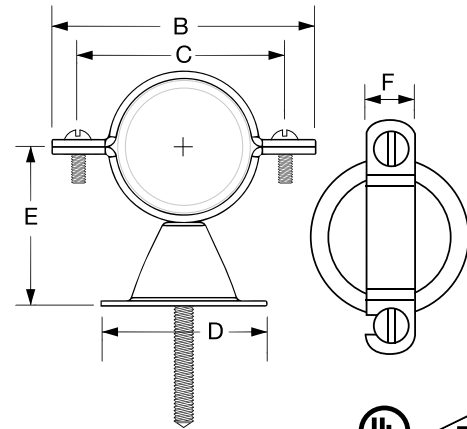
Sizes: 1/2" - 4"

Material: Steel

Finish: Galvanized

Approvals:

SIZE INCHES	ITEM PLASTIC COATED	MAX LOAD	WEIGHT	MATERIAL WIDTH	INNER BOX	MASTER BOX	PALLET QTY
1-1/2"	HDW-P112	150	0.28	1"	50	50	2400
2"	HDW-P02	150	0.32	1"	50	50	2400
3"	HDW-P03	150	0.35	1"	50	50	2400
4"	HDW-P04	150	0.40	1"	50	50	2400



BELL HANGERS

Designed for suspending tubing horizontally or vertically

- Includes 2 clamp screws and 1 mounting screw
- Mounting pierce screw point to penetrate metal studs
- Provides 13/16" standoff

Sizes: 1/2"- 1"

Material: Steel

Finish: Copper Plated

Approvals: FM, UL

SIZE INCHES	ITEM COPPER	A TUBE O.D.	B	C	D	E	F	INNER BOX	MASTER BOX	PALLET QTY
1/2"	HBE-CP12	3/8	2-3/16	1-9/16	1-5/8	1-1/16	1/2	10	50	2400
3/4"	HBE-CP34	3/8	2-3/8	1-3/4	1-5/8	1-3/16	1/2	10	50	2400
1"	HBE-CP01	3/8	2-7/16	1-7/8	1-5/8	1-5/16	1/2	10	50	2400