

Durable, heavy-wall cast bronze design is ideal for commercial or industrial applications

Spring-loaded silent closure operation

The 1/2-pound cracking pressure spring rate permits faster low-pressure opening without sacrificing quick closure in backflow scenarios

Bore-guided stem-poppet minimizes over-travel, reducing the chance of premature wear and failure

Can be installed in the vertical or horizontal positions

Not for reciprocating air compressor installations

Available in nominal sizes 1/2" to 2" in FNPT or tubing sweat end connections



**Working Pressure, Non Shock (PSI)**

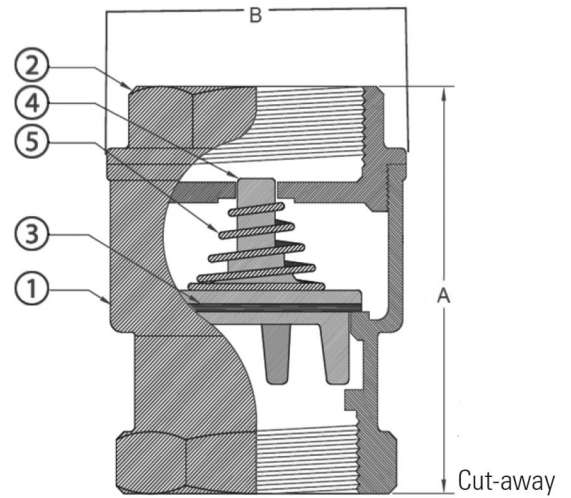
Cold working pressure (CWP): 250 psi

Saturated steam (WSP): Not suitable for steam service

Maximum Service Temperature: 250 °F

MATERIAL SPECIFICATION			
PART	MATERIAL	SPECIFICATION	
1 Body	Lead-free bronze	ASTM B584 UNS C89844	
2 End adapter	Lead-free bronze	ASTM B584 UNS C89844	
3 Seat disc	Buna-N (NBR) rubber	Commercial grade	
4 Poppet	Lead-free bronze	ASTM B584 UNS C89844	
5 Spring	Phosphor bronze wire	ASTM B159 UNS C51000	

DIMENSIONS - Inch			
Size	A (FNPT)	A (CxC)	B
1/2"	2.09	2.40	1.22
3/4"	2.32	2.80	1.50
1"	2.68	3.54	1.89
1-1/4"	3.11	3.86	2.16
1-1/2"	3.47	4.23	2.60
2"	3.86	5.08	3.14



**Certifications/Listings:**

Third-party certified.

NSF/ANSI 372: Drinking water system components - Lead content

**Standards:**

MSS SP-80: Standard practice for bronze gate, globe, angle, and check valves.

ANSI/ASME B1.20.1: Pipe threads, general purpose, Inch.

ANSI/ASME B16.18: Cast Pressure alloy solder-joint pressure fittings.