

BRASS

Features

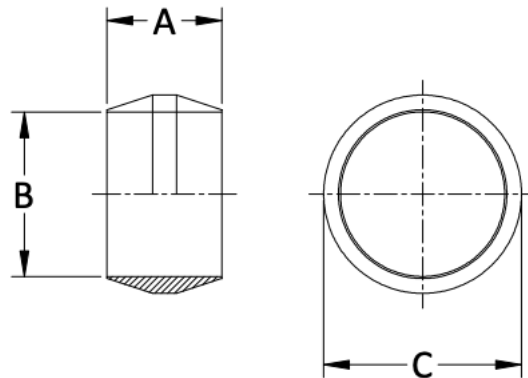
- Little to no tube preparation
- Available in a broad range of sizes
- Lead free product available

Specifications & Approvals

- Temperature: -65° - 250°F max pressure



PART #	A	B	C
C60-14	6.35	6.50	8.65
C60-38	6.35	9.70	11.95
C60-12	7.85	12.90	15.00
C60-58	7.85	16.05	18.30
C60-78	10.40	22.50	25.40



BRASS

Features

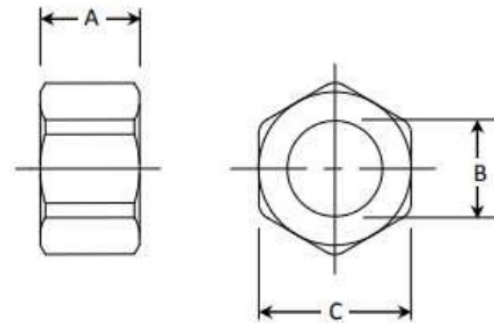
- Little to no tube preparation
- Available in a broad range of sizes
- Lead free product available

Specifications & Approvals

- Temperature: -65° - 250°F max pressure



PART #	A	B	C
C61-14	11.20	6.50	12.70
C61-38	11.90	9.70	15.87
C61-38CR	11.90	9.70	15.87
C61-12	14.50	12.95	19.05
C61-12CR	14.50	12.95	19.05
C61-58	14.22	16.05	22.22



BRASS

Features

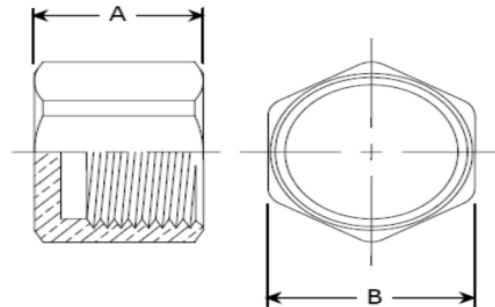
- Little to no tube preparation
- Available in a broad range of sizes
- Lead free product available

Specifications & Approvals

- Temperature: -65° - 250°F max pressure



PART #	A	B
C61C-14-NL	11.20	12.70
C61C-38-NL	10.75	15.87
C61C-12-NL	12.20	19.05
C61C-58-NL	-	-



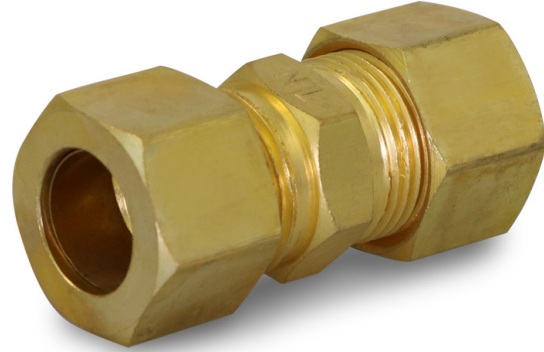
BRASS

Features

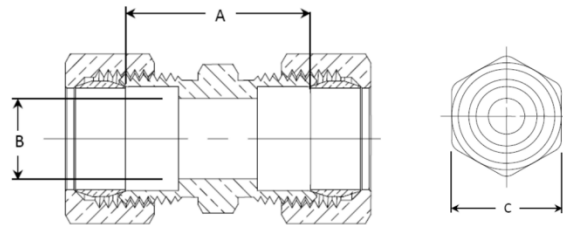
- Little to no tube preparation
- Available in a broad range of sizes
- Lead free product available

Specifications & Approvals

- Temperature: -65° - 250°F max pressure



PART #	A	B	C
C62-14-NL	17.40	4.75	11.12
C62-38-NL	21.75	8.50	14.29
C62-12-NL	24.75	11.25	17.45
C62-58-NL	26.00	15.00	20.65
C62-78-NL	-	-	-



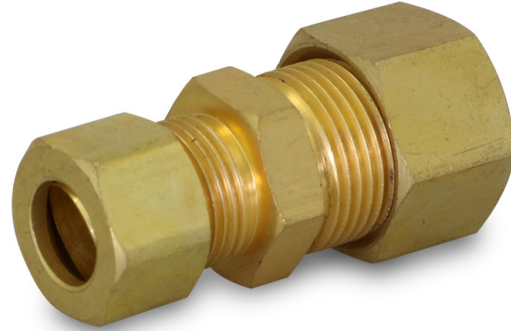
BRASS

Features

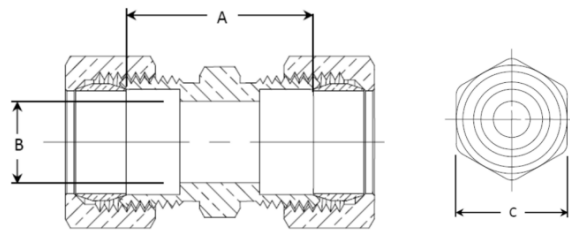
- Little to no tube preparation
- Available in a broad range of sizes
- Lead free product available

Specifications & Approvals

- Temperature: -65° - 250°F max pressure



PART #	A	B	C
C62R-3814-NL	-	-	-
C62R-1238-NL	-	-	-
C62R-5812-NL	-	-	-
C62R-5838-NL	-	-	-



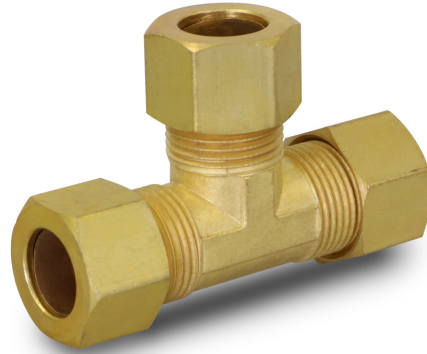
BRASS

Features

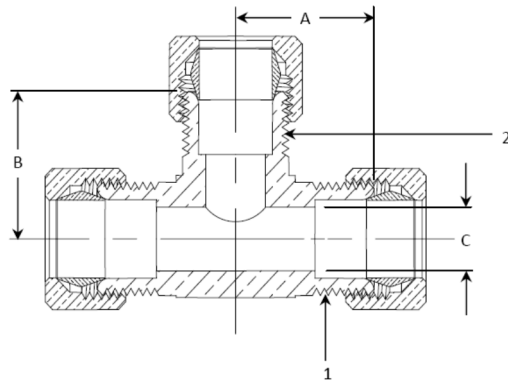
- Little to no tube preparation
- Available in a broad range of sizes
- Lead free product available

Specifications & Approvals

- Temperature: -65° - 250°F max pressure



PART #	A	B	C
C64-14-NL	13.20	13.20	5.00
C64-38-NL	17.05	17.05	8.00
C64-12-NL	21.70	21.70	10.30
C64-58-NL	17.25	17.25	12.70



BRASS

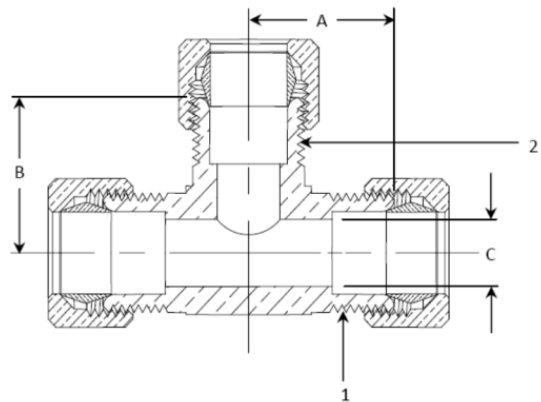
Features

- Little to no tube preparation
- Available in a broad range of sizes
- Lead free product available

Specifications & Approvals

- Temperature: -65° - 250°F max pressure

PART #	A	B	C
C64R-383814-NL	-	-	-



BRASS

Features

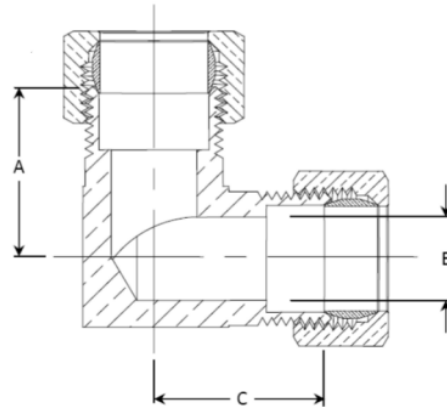
- Little to no tube preparation
- Available in a broad range of sizes
- Lead free product available

Specifications & Approvals

- Temperature: -65° - 250°F max pressure



PART #	A	B	C
C65-14-NL	14.00	4.75	14.00
C65-38-NL	17.05	8.00	17.05
C65-12-NL	21.35	8.85	21.35
C65-58-NL	26.05	13.00	26.05



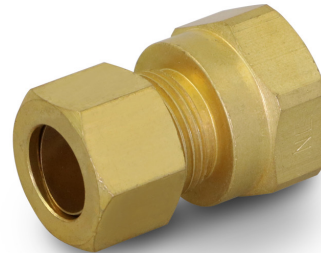
BRASS

Features

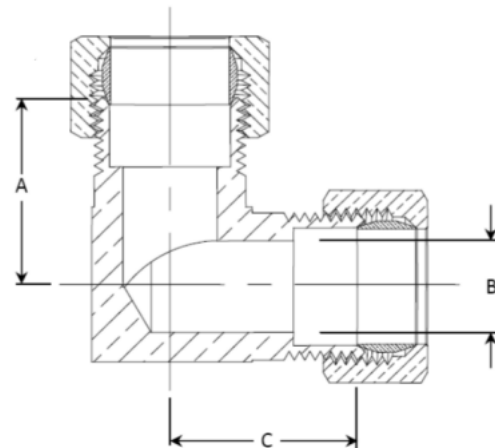
- Little to no tube preparation
- Available in a broad range of sizes
- Lead free product available

Specifications & Approvals

- Temperature: -65° - 250°F max pressure



PART #	A	B	C
C65-14-NL	-	-	-
C65-38-NL	25.60	7.95	19.05
C65-12-NL	28.40	11.25	23.81



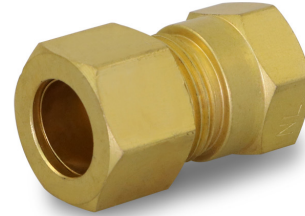
BRASS

Features

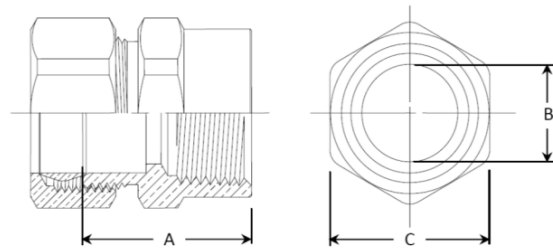
- Little to no tube preparation
- Available in a broad range of sizes
- Lead free product available

Specifications & Approvals

- Temperature: -65° - 250°F max pressure



PART #	A	B	C
C66R-1418-NL	18.70	5.55	12.70
C66R-1438-NL	-	-	-
C66R-1412-NL	24.75	5.55	23.80
C66R-3818-NL	20.45	7.95	14.29
C66R-3814-NL	-	-	-
C66R-3812-NL	25.95	7.95	23.81
C66R-1238-NL	27.40	11.25	19.05
C66R-5812-NL	26.05	14.75	22.22
C66R-5834-NL	31.00	14.75	28.57
C66R-7834-NL	-	-	-



BRASS

Features

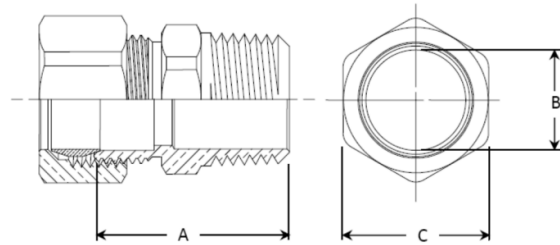
- Little to no tube preparation
- Available in a broad range of sizes
- Lead free product available

Specifications & Approvals

- Temperature: -65° - 250°F max pressure



PART #	A	B	C
C66R-1418-NL	18.30	2.35	11.12
C66R-1438-NL	22.70	4.80	14.29
C66R-1412-NL	26.65	8.65	17.45
C66R-3818-NL	29.80	11.25	22.22



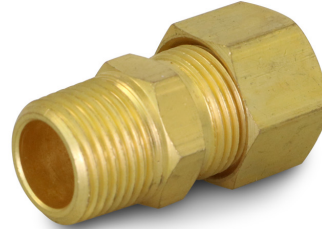
BRASS

Features

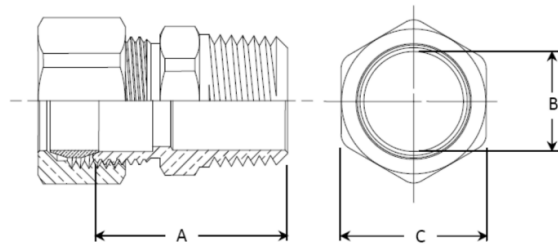
- Little to no tube preparation
- Available in a broad range of sizes
- Lead free product available

Specifications & Approvals

- Temperature: -65° - 250°F max pressure



PART #	A	B	C
C68R-1418-NL	20.25	4.80	11.12
C68R-1438-NL	24.00	4.80	17.45
C68R-1412-NL	26.20	4.80	22.22
C68R-3814-NL	25.95	8.65	14.29
C68R-3812-NL	28.00	8.65	22.22
C68R-3834-NL	31.60	8.65	27.00
C68R-1214-NL	26.40	8.75	17.45
C68R-1238-NL	27.60	11.25	17.45
C68R-5838-NL	28.75	11.95	20.63
C68R-5812-NL	30.50	15.00	22.22
C68R-5834-NL	33.50	15.00	27.00
C68R-7812-NL	35.00	25.00	28.65
C68R-7834-NL	-	-	-



BRASS

Features

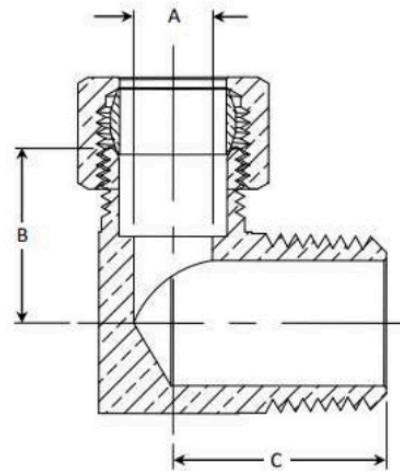
- Little to no tube preparation
- Available in a broad range of sizes
- Lead free product available

Specifications & Approvals

- Temperature: -65° - 250°F max pressure



PART #	A	B	C
C69-14-NL	4.80	13.40	24.75
C69-38-NL	8.50	18.75	31.10
C69-12-NL	10.30	23.00	36.90



BRASS

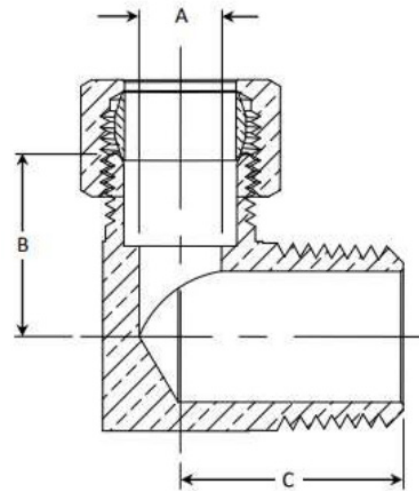
Features

- Little to no tube preparation
- Available in a broad range of sizes
- Lead free product available

Specifications & Approvals

- Temperature: -65° - 250°F max pressure

PART #	A	B	C
C69R-1418-NL	4.80	13.15	20.75
C69R-1438-NL	4.80	13.70	28.75
C69R-3812-NL	8.50	19.55	35.90
C69R-3814-NL	8.50	16.90	29.50
C69R-1238-NL	10.30	23.00	36.90
C69R-5812-NL	13.00	26.05	40.00



BRASS

Features

- Little to no tube preparation
- Available in a broad range of sizes
- Lead free product available

Specifications & Approvals

- Temperature: -65° - 250°F max pressure



PART #	A	B	C
C70R-3812-NL	-	-	-

BRASS

Features

- Little to no tube preparation
- Available in a broad range of sizes
- Lead free product available

Specifications & Approvals

- Temperature: -65° - 250°F max pressure



PART #	A	B	C
C73-14	-	-	-
C73-38	-	-	-

BRASS

Features

- Little to no tube preparation
- Available in a broad range of sizes
- Lead free product available

Specifications & Approvals

- Temperature: -65° - 250°F max pressure



PART #	A	B	C
C72-14-NL	-	-	-
C72-38-NL	-	-	-