

Features

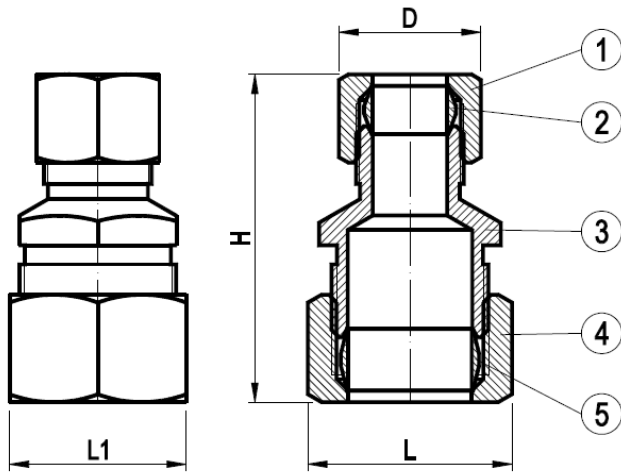
- Little to no tube preparation
- Available in a broad range of sizes

Specifications & Approvals

Temperature: -65° - 250°F max pressure

Vibration: Fair vibration resistance*

No Lead Product CSA listed to NSF 372 (Class 6853-01)



Dimensions

Part#	Size	H	L	L1	D	Weight Kg
C62R-3814-NL	3/8" x 1/4"	36.3	18.5	16	-	0.0306
C62R-1238-NL	1/2" x 3/8"	41	23	20	-	0.05
C62R-5838-NL	5/8" x 3/8"	42.7	26.6	23	18.5	0.055
C62R-5812-NL	5/8" x 1/2"	45	26.6	23	23	0.064

Materials

Part Name	Material
1. Packing Nut	Brass
2. Sleeve	Brass
3. Body	Brass
4. Sleeve	Brass
5. Packing Nut	Brass