

CPVC STAND OFF STRAPS

Supports pipe lines running next to walls or beams

- Designed with flared edges to protect piping
- Attaches quickly and easily to wood structures with 2 #10 x 1" Hex head screws

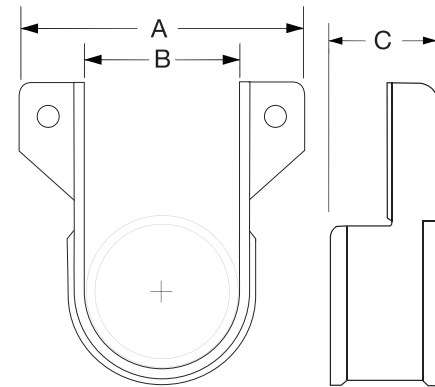
Sizes: 3/4" - 2"

Material: Carbon Steel

Finish: Galvanized

Approvals: UL

SIZE INCHES	ITEM GALVANIZED	MAX SPACING	WEIGHT	A	B	C	NOMINAL PIPE SIZE	INNER BOX	MASTER BOX	PALLET QTY
3/4"	CPSS-G34	5'-6'	0.121	2-11/16	3-1/4	1	1.05	10	100	6400
1"	CPSS-G01	6'-0"	0.128	2-15/16	3-1/4	1	1.315	10	100	6400
1-1/4"	CPSS-G114	6'-6"	0.141	3-5/16	4-1/8	1	1.66	10	100	4800
1-1/2"	CPSS-G112	7'-0"	0.152	3-9/16	4-1/2	1	1.9	10	100	4800
2"	CPSS-G02	8'-0"	0.164	4-1/16	5	1	2.375	10	100	4800



CPVC SIDE MOUNT STRAPS

Supports pipes running horizontally on the side of beams

- Contains retainer dimples to secure hanger to pipe during installation
- Designed with flared edges to protect piping
- Attaches quickly and easily to wood structures with 2 #10 x 1" Hex head screws

Sizes: 3/4" - 2"

Material: Carbon Steel

Finish: Galvanized

Approvals: UL

SIZE INCHES	ITEM GALVANIZED	MAX SPACING	WEIGHT	A	B	C	NOMINAL PIPE SIZE	INNER BOX	MASTER BOX	PALLET QTY
3/4"	CPSM-G34	5'-6'	0.85	2-1/3	1-11/16	1-3/16	1.05	10	100	6400
1"	CPSM-G01	6'-0"	0.094	2-19/32	1-15/16	1-3/16	1.315	10	100	6400
1-1/4"	CPSM-G114	6'-6"	0.104	3	2-5/16	1-3/16	1.66	10	100	4800
1-1/2"	CPSM-G112	7'-0"	0.113	3-1/5	2-1/2	1-3/16	1.9	10	100	4800
2"	CPSM-G02	8'-0"	0.132	3-5/8	3	1-3/16	2.375	10	100	4800