



SUBMITTAL

**GSPA-S SERIES**

AIR SEPARATOR WITH STRAINER

**Models:** GSPA-2S thru GSPA-24S

Date: 1/18

Job Name _____	Submitted By _____	Date _____
Location _____	Approved By _____	Date _____
_____	Order No. _____	Date _____
Engineer _____	Notes _____	
Contractor _____	_____	
Sales Rep. _____	_____	

**Description**

Grundfos GSPA-S ASME Vortex type Air Separators eliminate air quickly and efficiently from open and closed loop heating/cooling systems. Water enters and exits through unique "tangential" connections, which promote a low velocity swirling effect in the center of the unit. Natural centrifugal forces allow the heavier air-free water to move toward the outer edges while entrained air is captured within the "eye" of the vortex and released out of the top of the separator. The bubble-free water then exits near the bottom of the unit, protecting the systems against the noise, corrosion, and damage commonly caused by entrained air. GSPA-S units also include system strainer.

**Construction**

Shell: Carbon Steel  
 Heads: Carbon Steel  
 Strainer: Stainless Steel

**Performance Limitations**

Maximum Design Temperature: 450°F  
 Maximum Design Pressure: 125 PSIG\*

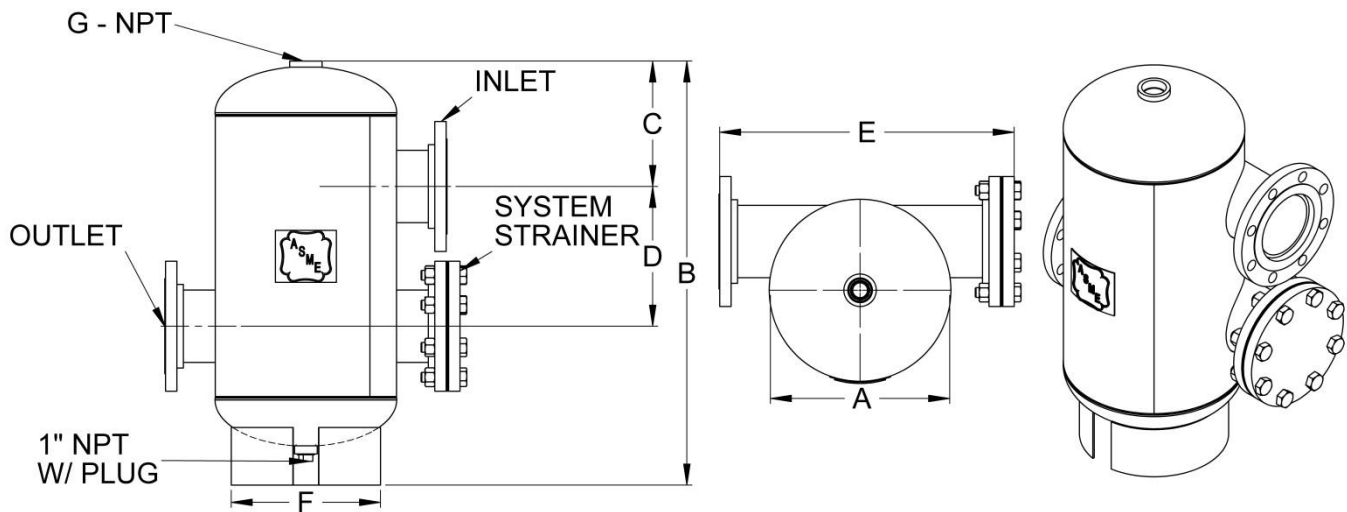
\*200 & 250 PSIG available

Model Number	Part Number	Max Flow (GPM)	Tagging Information	Quantity
SPA-2-S	99398045	56		
SPA-2.5-S	99398046	90		
SPA-3-S	99398048	190		
SPA-4-S	99398049	300		
SPA-5-S	99398050	530		
SPA-6-S	99398051	850		
SPA-8-S	99398052	1900		
SPA-10-S	99398054	3200		
SPA-12-S	99398056	4800		
SPA-14-S	99398057	6100		
SPA-16-S	99398058	8000		
SPA-18-S	99398061	9700		
SPA-20-S	99398063	12000		
SPA-22-S	99398064	15000		
SPA-24-S	99398065	17000		

**Typical Specification**

Furnish and install, as shown on plans, a vortex type air separator model GSPA \_\_\_\_\_-S sized for \_\_\_\_\_ GPM, with \_\_\_\_\_" (NPT/Flanged) tangential connections, as manufactured by Grundfos. A blowdown connection shall be provided to facilitate routine cleaning of the unit. The tank must be constructed in accordance with most recent addendum of Section VIII Division 1 of the ASME Boiler and Pressure Vessel Code, and shall be constructed and stamped for 125 PSI working pressure @ 450°F.

Each air separator shall be Grundfos model number GSPA \_\_\_\_\_-S or approved equal.



GSPA-2S thru GSPA-24S

**Dimensions & Weights**

Model Number	Dimensions in Inches								Approx. Shipping Wt (lbs)
	Connection Size	A	B	C	D	E	F	G	
GSPA-2-S	2 NPT	12	24 1/2	6	8 1/2	16 5/8	9 1/2	1 1/4	48
GSPA-2.5-S	2.5 NPT		25	6 1/4	8	19 3/4			61
GSPA-3	3		32	9 1/8	10 3/4	21 3/4			82
GSPA-4-S	4	14	32	9 1/8	10 3/4	21 3/4	11 1/2	1 1/2	99
GSPA-5-S	5								132
GSPA-6-S	6	20	44	13 1/4	14 1/2	28	18	2	190
GSPA-8-S	8								308
GSPA-10-S	10	30	60 1/2	19	20	41	24		606
GSPA-12-S	12								812
GSPA-14-S	14	36	78	22	31 1/2	46 3/8	30		1138
GSPA-16-S	16	48	108	30	40	60	38		2520
GSPA-18-S	18	54	124	33	50	66	44		2973
GSPA-20-S	20	60	138	35	60	72	50		3904
GSPA-22-S	22	66	150	38	66	78	56		4684
GSPA-24-S	24	66				80			5003

**Notes**

- Available with mounting clips.