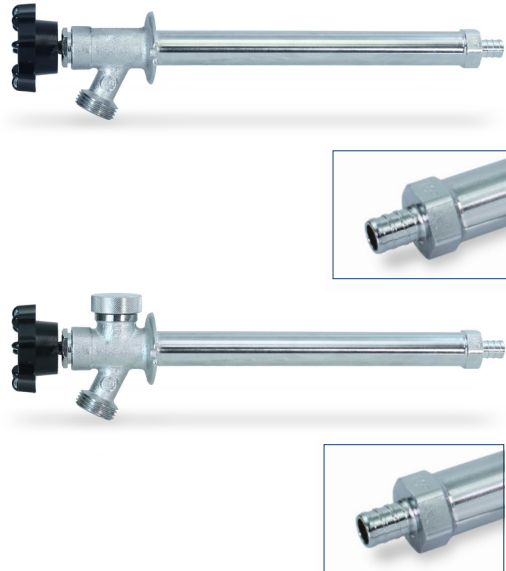


F1807 Pex Frost Free Sillcock

3/4" Hose x 1/2"

- Durable Chrome Plated Body Offers Superior Corrosion Resistance
- Extended-Hub Handwheel Allows for Easy On/Off Operation
- Includes Tapered Sill Wedge, for Easier Installation at Proper Angle
- Truesdale Labs Certified to ANSI/NSF Standard 61-9/372. Cold Working Pressure 125 PSI



F1807 Pex Frost Free Sillcock



LEAD FREE PART #	SIZE	DESCRIPTION	INNER	MASTER
6204P-NL	4"	F1807 Pex Chrome Plated Hose Bib	2	40
6206P-NL	6"	F1807 Pex Chrome Plated Hose Bib	2	40
6208P-NL	8"	F1807 Pex Chrome Plated Hose Bib	2	40
6210P-NL	10"	F1807 Pex Chrome Plated Hose Bib	2	40
6212P-NL	12"	F1807 Pex Chrome Plated Hose Bib	2	40
6214P-NL	14"	F1807 Pex Chrome Plated Hose Bib	2	40

With Vacuum Breaker



LEAD FREE PART #	SIZE	DESCRIPTION	INNER	MASTER
62041P-NL	4"	F1807 Pex Chrome Plated Hose Bib	2	40
62061P-NL	6"	F1807 Pex Chrome Plated Hose Bib	2	40
62081P-NL	8"	F1807 Pex Chrome Plated Hose Bib	2	40
62101P-NL	10"	F1807 Pex Chrome Plated Hose Bib	2	40
62121P-NL	12"	F1807 Pex Chrome Plated Hose Bib	2	40

Chrome Plated Lever Handle Sillcock

Oversized Flange • 1/4 Turn On/Off • High Grade Corrosion Resistant Material • Patented Item



- Design for Multi Purpose Outdoor and Indoor Installations
- High Grade Construction Provides Added Resistance to Corrosion
- Stainless Steel Handle & Nuts With Adjustable Stem Packing Gland
- Extended Bib Threads for Secure Connection
- Oversized Flange for Added Protection and Ease of Installation
- Easy Grip Lever Handle Provides Quick 1/4 Turn On/Off Operation
- Operating Temp 33°F - 300°F | Max. Operating Pressure 360 PSI
- Lead Free Models Conform to NSF/ANSI-61/372



PART #	SIZE	DESCRIPTION	INNER	MASTER
1165PEX-NL	1/2"	Pex F1807	10	50

PEX Boiler Drain w/Stuffing Box

FIP x Hose • 125 WOG • Brass Body



- Brass Body
- Angle Pattern Boiler Drain with Stuffing Box
- CSA and Truesdail Certified
- Lead Free Models Conform to NSF/ANSI 61-8 /372
- Maximum Temperature: 180°F
- ISO:9001 Approved Manufacturer



PART #	SIZE	DESCRIPTION	INNER	MASTER
4612P-NL	1/2"	Boiler Drain	10	100
4634P-NL	3/4"	Boiler Drain	10	100

1/4 Turn Sillcock

MIP x Hose • Brass Body



- Brass Body
- Chrome Plated Brass Ball
- Aluminum T-handle
- NSF/ANSI 372 Compliant
- Complies with ASME A112.18.1-2011/CSA B125.1-11



PART #	SIZE	DESCRIPTION	INNER	MASTER
47122P-NL	1/2"	1/4 Turn Pex Sillcock	10	100
47342P-NL	3/4"	1/4 Turn Pex Sillcock	10	100