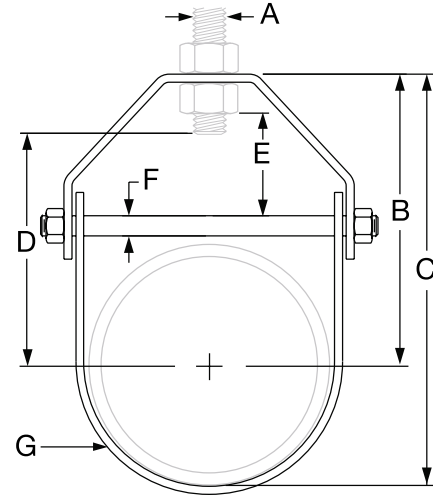




PIPE HANGERS



CLEVIS HANGERS



STANDARD ELECTRO GALVANIZED & GALVANIZED

Designed for suspending pipe with vertical adjustment

- Maximum temperature 650° F
- Underwriters Laboratories Listed (UL) and Factory Mutual Approved (FM)
- Complies with Federal Specification WW-H-171 Type 1, Manufacturers Standardization Society (MSS) SP-69 Type 1
- When using an oversize clevis, it is recommended to install a full-width spacer on the cross bolt to prevent failure due to disfiguring the U-strap

Sizes: 1/2" - 24"

Material: Steel

Finish: Electro Galvanized & Galvanized

Approvals: UL, FM, Complies with MSS SP-69 Type 1, WW-H-171 Type 1

SIZE INCHES	ITEM ELECTRO GALVANIZED	ITEM GALVANIZED	MAX LOAD	WEIGHT	A ROD SIZE	B	C	D ROD OUT	E ADJUSTMENT	F	G WIDTH LOWER	INNER BOX	MASTER BOX	PALLET QTY
1/2"	HCS-GE12	HCS-G12	610	0.31	3/8	2-1/2	3-1/16	1-1/2	5/8	1/4	7/8	10	50	2400
3/4"	HCS-GE34	HCS-G34	610	0.33	3/8	2-11/16	3-1/4	1-5/16	5/8	1/4	7/8	10	50	2400
1"	HCS-GE01	HCS-G01	610	0.34	3/8	3-3/16	3-13/16	1-5/8	5/8	1/4	7/8	10	50	2400
1-1/4"	HCS-GE114	HCS-G114	610	0.41	3/8	3-1/4	4-1/8	1-11/16	5/8	1/4	7/8	10	50	2400
1-1/2"	HCS-GE112	HCS-G112	610	0.43	3/8	3-1/4	4-3/16	2-1/8	7/8	1/4	7/8	10	50	2400
2"	HCS-GE02	HCS-G02	610	0.53	3/8	3-11/16	4-15/16	2-5/8	1-1/8	1/4	7/8	10	50	2400
2-1/2"	HCS-GE212	HCS-G212	1130	0.74	1/2	4-11/16	6-1/8	3-3/16	1-5/16	3/8	1-1/32	-	30	1440
3"	HCS-GE03	HCS-G03	1130	0.99	1/2	4-15/16	6-5/8	4-1/16	1-5/8	3/8	1-1/32	-	25	1200
3-1/2"	HCS-GE312	HCS-G312	450	0.80	1/2	5-3/8	6-15/16	4-3/16	1-13/16	3/8	1-1/32	-	25	600
4"	HCS-GE04	HCS-G04	1130	1.43	5/8	5-11/16	7-7/8	4-1/2	1-11/16	3/8	1-3/16	-	25	600
5"	HCS-GE05	HCS-G05	1430	1.62	5/8	6-1/8	9-3/32	5-1/2	1-15/16	1/2	1-1/4	-	25	400
6"	HCS-GE06	HCS-G06	1940	3.26	3/4	6-3/4	10-1/4	5-3/4	1-11/16	1/2	1-7/16	-	10	240
8"	HCS-GE08	HCS-G08	2000	4.39	3/4	8-5/8	12-15/16	7-3/16	2	5/8	1-11/16	-	10	240
10"	HCS-GE010	HCS-G010	3600	8.64	7/8	9	15	8-7/16	2-1/8	3/4	1-3/4	-	-	160
12"	HCS-GE012	HCS-G012	3800	11.32	7/8	11-1/32	18	10-1/8	2-13/16	3/4	1-15/16	-	-	100
14"	HCS-GE014	HCS-G014	4200	15.05	1	12-5/8	20-1/4	10-11/16	2-11/16	7/8	1-15/16	-	-	84
16"	HCS-GE016	HCS-G016	4600	21.00	1	13-15/16	22-1/16	12	2-3/4	1	2-1/2	-	-	52
18"	HCS-GE018	HCS-G018	4800	25.00	1-1/8	14-9/16	25-1/8	13-15/16	3-1/2	1-1/8	2-1/2	-	-	40
20"	HCS-GE020	-	4800	42.50	1-1/4	15-35/64	27-23/64	16-1/2	4-1/8	1-1/4	3	-	-	28
24"	HCS-GE024	-	4800	43.50	1-1/4	18-25/64	31-39/64	18-3/8	4-3/4	1-1/4	3	-	-	20