

Location: \_\_\_\_\_

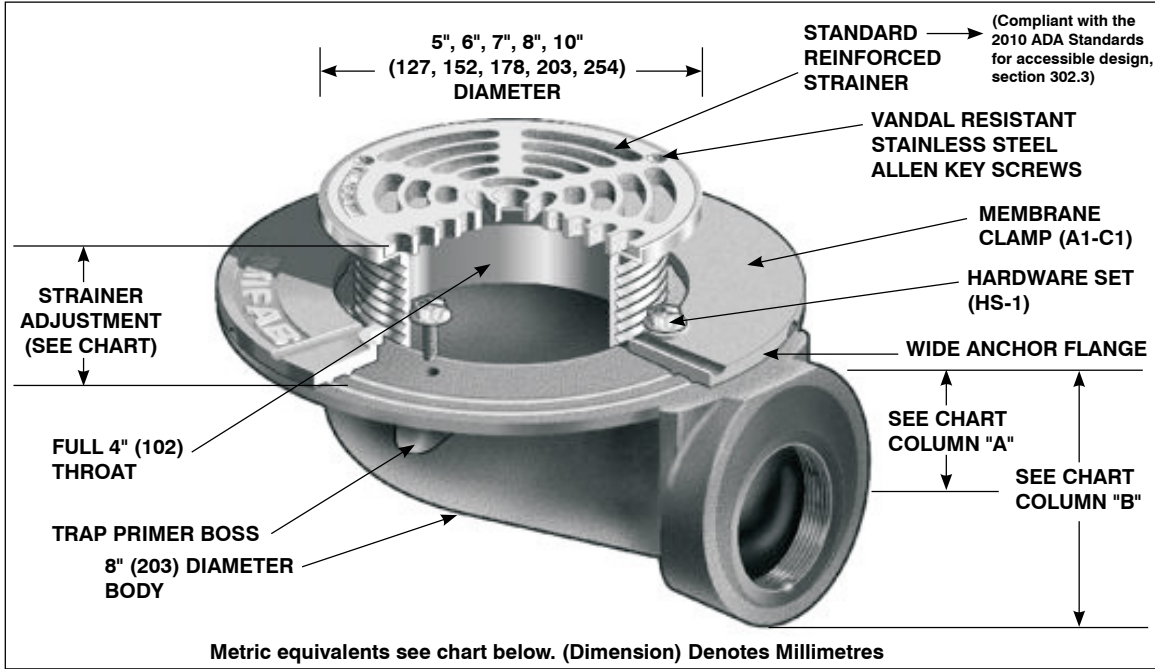


# F1100-C-90

## FLOOR DRAIN WITH SIDE OUTLET FOR MEMBRANE FLOOR AREAS

**Specification:** MIFAB® Series F1100-C-90 lacquered cast iron floor drain with threaded side outlet, anchor flange, cast iron membrane clamp ring with primary and secondary weepholes for waterproofing membrane, and standard reinforced (specify diameter), (specify strainer finish) strainer. (For non-membrane floors, use MIFAB F1100-90 Series.)

**Function:** Used in showers, kitchens, restrooms and other membrane finished areas where shallow side outlet body connection is required. Round adjustable strainer is used for all types of poured finished floors. Membrane clamp is provided to secure the waterproofing membrane.



### PARTS:



A1-(\*)T-90  
(\*) Denotes Outlet Connection Size (2", 3" or 4")



(\*)-(\*\*)  
(\*) Denotes Strainer Diameter (5", 6", 7", 8" or 10")  
(\*\*) Denotes Strainer Finish (-1, -3 or -4)



A1-C1



HS-1

F1100-C-90 Series meets ANSI-ASME floor drain standard A112.6.3-2001

STRAINER DIAMETER	STRAINER ADJUSTMENT		ANSI/ASME RATING			PIPE SIZE	BODY HEIGHT		
			FREE AREA	LOAD RATING			A	B	
	MIN	MAX		N.B. (-1)	S.S. (-3)				D.I. (-4)
5" (127)	1/2" (13)	1 1/2" (38)	8 in <sup>2</sup> (5200 <sup>2</sup> )	UP TO 2,000 LBS.	5000-7499 LBS.	UP TO 7,499 LBS.	2" (51)	2 15/16" (75)	3 7/8" (98)
6" (152)	11/16" (17)	1 1/2" (38)	9 in <sup>2</sup> (5800 <sup>2</sup> )	UP TO 2,000 LBS.	5000-7499 LBS.	--	3" (76) 4" (102)	3" (76) 3 1/4" (83)	4 3/8" (111) 4 3/8" (111)
7" (178)	9/16" (14)	1 9/16" (40)	12 in <sup>2</sup> (7700 <sup>2</sup> )	UP TO 2,000 LBS.	5000-7499 LBS.	--			
8" (203)	11/16" (32)	2 1/4" (57)	18 in <sup>2</sup> (11600 <sup>2</sup> )	--	5000-7499 LBS.	UP TO 10000 LBS.			
10" (254)	1 1/16" (17)	2 1/4" (57)	26 in <sup>2</sup> (17170 <sup>2</sup> )	--	5000-7499 LBS.	--			

#### SUFFIX OPTIONAL VARIATIONS

- 1 Nickel bronze strainer (standard)
- 3 Stainless steel strainer
- 4 Ductile iron strainer (5", 8" only)
- 5 Sediment bucket
- 6 Security screws (T-20 Torx & pin)
- 7 1/2" trap seal primer connection
- 8 Backwater valve (2", 3", 4")
- 11 Acid resistant epoxy coated body
- 13 Galvanized body
- 15 Extension
- 21 Secondary flat stainless steel strainer (2", 3", 4")
- 34 Closure plug
- 40 Underdeck clamp
- 41 Sump receiver

#### SUFFIX OPTIONAL VARIATIONS

- 49 Chrome plated strainer
- 50 Lacquered cast iron funnel
- 95 Client logo
- BA Minimum 51% material cost made in the USA
- C2 High rough-in membrane clamp (min. 1 9/16" (40))
- F4 4" Round funnel
- F6 6" Round funnel
- G Oval 4" x 9" funnel
- J 6" x 3" x 1" funnel
- MG MI-GARD Floor Drain Trap Sealer (2", 3" or 4")
- NH No hub side outlet
- PA Pennsylvania Steel Act compliant product
- Z Extended wide elastomeric flange

Job Name: \_\_\_\_\_ Page No: \_\_\_\_\_

Section No: \_\_\_\_\_ Contractor: \_\_\_\_\_

Schedule No: \_\_\_\_\_ Purchase Order No: \_\_\_\_\_