

Location: _____

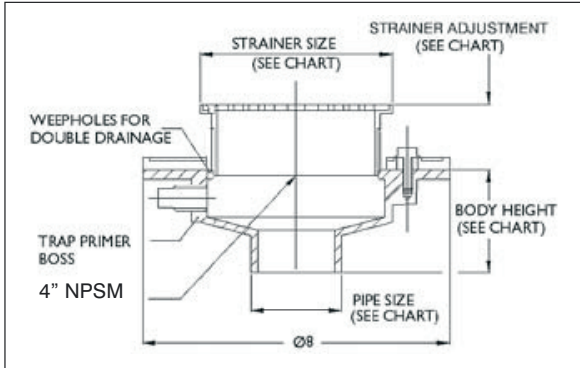


F1100-C-S

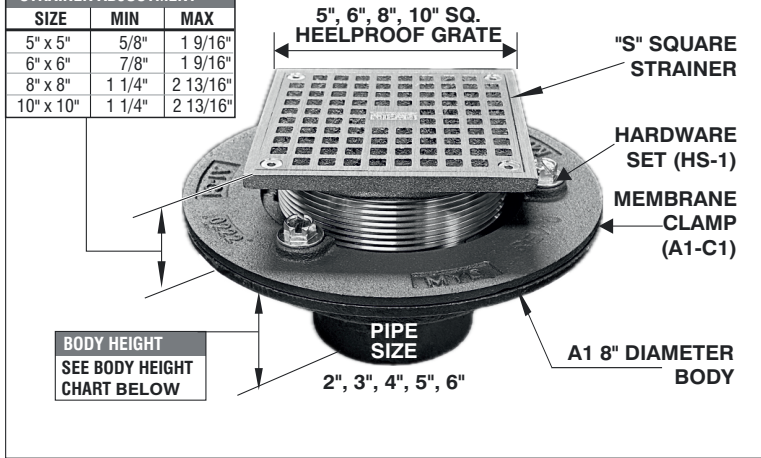
SQUARE FLOOR DRAIN

Specification: MIFAB® Series F1100-C-S lacquered cast iron floor drain with anchor flange, cast iron membrane clamp ring with primary and secondary weepholes for waterproofing membrane, and standard reinforced, (specify size), square (specify material finish) strainer. (For non-membrane floors, use MIFAB F1100-S Series.)

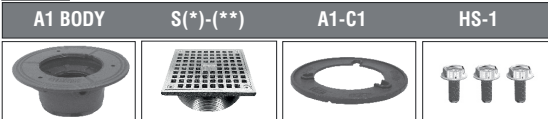
Function: Used in showers, kitchens, restrooms and other membrane finished areas. Square adjustable strainer is used for floors that are finished of material or straight line patterns. Membrane clamp is provided to secure the waterproofing membrane.



STRAINER ADJUSTMENT		
SIZE	MIN	MAX
5" x 5"	5/8"	1 9/16"
6" x 6"	7/8"	1 9/16"
8" x 8"	1 1/4"	2 13/16"
10" x 10"	1 1/4"	2 13/16"



PARTS



STRAINER SIZE	STRAINER ADJUSTMENT		ANSI/ASME RATING			PIPE SIZE	BODY HEIGHT				
			FREE AREA	LOAD RATING			NO HUB (STANDARD)	PUSH ON (P)	THREADED (T)	INSIDE CAULK (X)	PVC/ABS (-30)/(-31)
	MIN	MAX		N.B. (-1)	D.I. (-4)						
5" x 5" (127 x 127)	5/8" (15)	1 9/16" (40)	9 in ² (5800 ²)	UP TO 2000 LBS.	OVER 10000 LBS.	2" (51)	3" (76)	3 3/8" (86)	2 1/4" (57)	3 3/4" (95)	2 15/16" (75)
6" x 6" (152 x 152)	7/8" (22)	1 9/16" (40)	12 in ² (7700 ²)			3" (76)	3" (76)	3 3/8" (86)	2 5/8" (67)	3 3/4" (95)	3 3/4" (95)
8" x 8" (203 x 203)	1 1/4" (32)	2 3/16" (56)	26 in ² (16800 ²)			4" (102)	3" (76)	3 3/8" (86)	2 5/8" (67)	3 3/4" (95)	3 3/4" (95)
10" x 10" (254 x 254)	1 1/4" (32)	2 3/16" (56)	28 in ² (19913 ²)			5" (127)	3" (76)	--	2 5/8" (67)	3 3/4" (95)	--
						6" (152)	3 1/4" (83)	6 1/2" (165)	--	--	--

SUFFIX OPTIONAL VARIATIONS

- 1 Nickel bronze strainer
- 4 Ductile iron grate (8" x 8" only)
- 5 Sediment bucket (A1-PB)
- 6 Security screws (T-20 Torx & pin)
- 7 1/2" trap seal primer connection
- 7MG MI-GARD, Floor Drain Trap Seal
- 8 Backwater valve (2", 3", 4")
- 10 Decorative polished top
- 11 Acid resistant epoxy coated body
- 13 Galvanized body
- 15 Extension
- 21 Secondary flat stainless steel strainer (2", 3", 4")
- 28 Stainless steel body (Type 304) (2", 3", 4" No Hub Only)
- 30 PVC socket connection body (2", 3", 4")
- 31 ABS socket connection body (2", 3", 4")
- 34 Closure plug (C1440 Series)
- 40 Underdeck clamp (A1-C3)
- 41 Sump receiver (A1-BP)
- 49 Chrome Plated Strainer (NB Only)

SUFFIX OPTIONAL VARIATIONS

- 69 Stainless steel sediment bucket (A1-SSB)
- 90 Threaded side outlet (2", 3", 4") (cast iron only)
- 95 Client logo (made in stainless steel)
- C2 High rough-in membrane clamp (A1-C2)
- F4 4" NB or SS round funnel
- F4-50 4" Cast iron round funnel
- F6 6" NB or SS round funnel
- F6-50 6" Cast iron round funnel
- G 4" x 9" NB or SS oval funnel
- G-50 4" x 9" Cast iron oval funnel
- HP Heel proof grate (1/4" wide slots)
- J 2 1/2" W x 5 .4" L x 1" H NB or SS oval funnel
- J-50 2 1/2" W x 5 .4" L x 1" H cast iron oval funnel
- P Push on outlet (2", 3" or 4")
- T Threaded outlet (2", 3" or 4")
- X Inside caulk outlet (2", 3" or 4")
- Z Extended wide elastomeric flange on top (use Z5 or ZS top)

CALIFORNIA PROPOSITION 65 WARNING. This product contains chemicals known to the State of California to cause cancer and birth defects or other reproductive harm.

Job Name: _____ Page No: _____
 Section No: _____ Contractor: _____
 Schedule No: _____ Purchase Order No: _____