

Location: \_\_\_\_\_

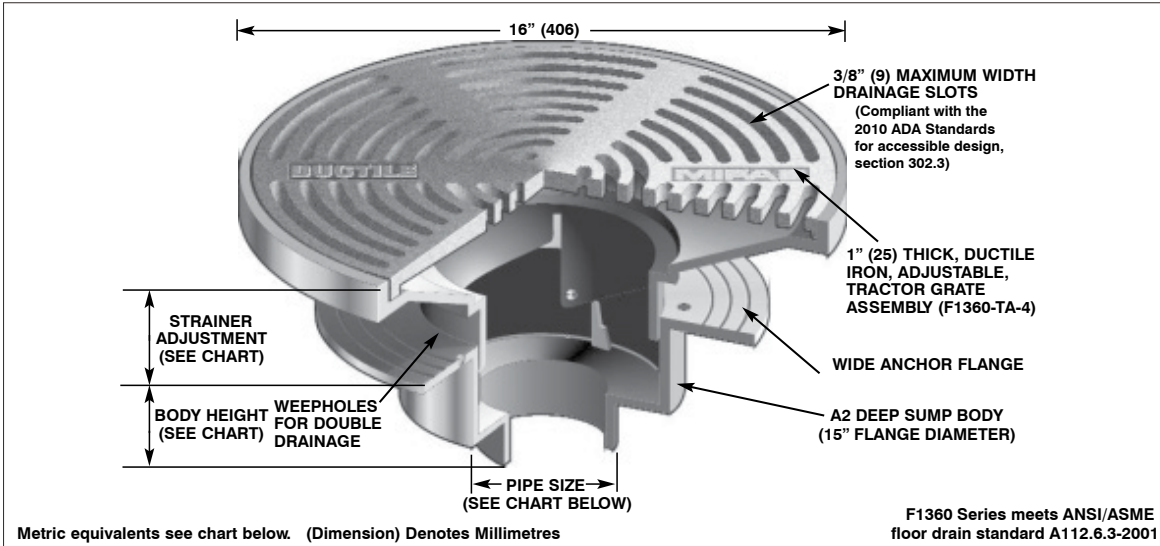


**F1360**

**FLOOR DRAIN WITH 16" ROUND ADJUSTABLE TRACTOR GRATE**

**Specification:** MIFAB® Series F1360 lacquered cast iron deep sump floor drain with anchor flange, weepholes, and adjustable collar with standard 1" (25) thick, 16" (406) round, (specify material finish) tractor grate.

**Function:** Used in warehouses, mechanical rooms, parking garages and other non-membrane finished areas. 16" Round, adjustable tractor grate is used with all types of poured finished floors.



Metric equivalents see chart below. (Dimension) Denotes Millimetres F1360 Series meets ANSI/ASME floor drain standard A112.6.3-2001

STRAINER DIAMETER	STRAINER ADJUSTMENT		ANSI/ASME RATING		PIPE SIZE	BODY HEIGHT				
			FREE AREA	LOAD RATING		NO HUB (STANDARD)	PUSH ON (P)	THREADED (T)	INSIDE CAULK (X)	PVC/ABS (-30)/(-31)
	MIN	MAX		N.B. (-1) / S.S. (-3) / D.I. (-4)						
16" (406)	2 1/4" (57)	4" (102)	105.6 in <sup>2</sup> (68,129 mm <sup>2</sup> )	ANSI/ASME LOAD CLASS "SPECIAL DUTY" (OVER 10,000 LBS.)	2" (51)	6" (152)	6 1/8" (156)	5 7/16" (138)	6 1/4" (159)	7 1/8" (181)
					3" (76)	6" (152)	6 1/8" (156)	5 7/16" (138)	6 1/4" (159)	7 3/8" (187)
					4" (102)	6" (152)	6 1/8" (156)	5 7/16" (138)	6 1/4" (159)	7 3/8" (187)
					5" (127)	6" (152)	—	5 7/16" (138)	6 1/4" (159)	—
					6" (152)	7 1/4" (184)	7" (178)	7" (178)	6 1/4" (159)	—
					8" (203)	5 7/8" (149)	—	—	—	—

SUFFIX	OPTIONAL VARIATIONS
-1	Nickel bronze strainer (vener)
-3	Stainless steel strainer (vener)
-4	Ductile iron strainer
-5	Sediment bucket
-6	Security screws (T-20 Torx & pin)
-7	1/2" trap seal primer connection
-8	Backwater valve (2", 3", 4")
-11	Acid resistant epoxy coated body
-12	Galvanized top assembly
-13	Galvanized body
-15	Extension
-16	Square Top
-17	With trap and cleanout
-18	With trap and oil cone and cleanout
-21	Secondary flat stainless steel strainer (2", 3", 4")
-24	Solid secured cover
-28	Stainless steel body (Type 304)
-30	PVC socket connection body
-31	ABS socket connection body
-32	2", 3", 4" integral deep seal trap
-34	Closure plug
-35	Stainless steel mesh over bucket
-36	Can wash assembly package
-40	Underdeck clamp
-41	Sump receiver
-50	Lacquered cast iron funnel
-90	Threaded side outlet (2", 3", 4")
-90NH	No hub side outlet (2", 3", 4")
-95	Client logo
-BA	Minimum 51% material cost made in the USA
-C	Membrane clamp
-F4	4" Round funnel
-F6	6" Round funnel
-G	Oval 4" x 9" funnel
-HP	Heel proof grate (1/4" maximum grate opening size, -3 only)
-J	6" x 3" x 1" funnel
(Standard)	No hub outlet
-MG	MI-GARD Floor Drain Trap Sealer (2", 3" or 4")
P	Push on Outlet
-PA	Pennsylvania Steel Act compliant product
T	Threaded outlet (2", 3", 4")
X	Inside caulk outlet
-Y	Non-adjustable top
-Z	Extended wide elastomeric flange

CALIFORNIA PROPOSITION 65 WARNING. This product contains chemicals known to the State of California to cause cancer and birth defects or other reproductive harm.

Job Name: \_\_\_\_\_ Page No: \_\_\_\_\_  
 Section No: \_\_\_\_\_ Contractor: \_\_\_\_\_  
 Schedule No: \_\_\_\_\_ Purchase Order No: \_\_\_\_\_