

FY-694LF Hose Bibb

Specification Sheet

FEATURES & BENEFITS

- Lead Free Rough Brass
- Plain End Outlet
- 3/4" MIP Inlet

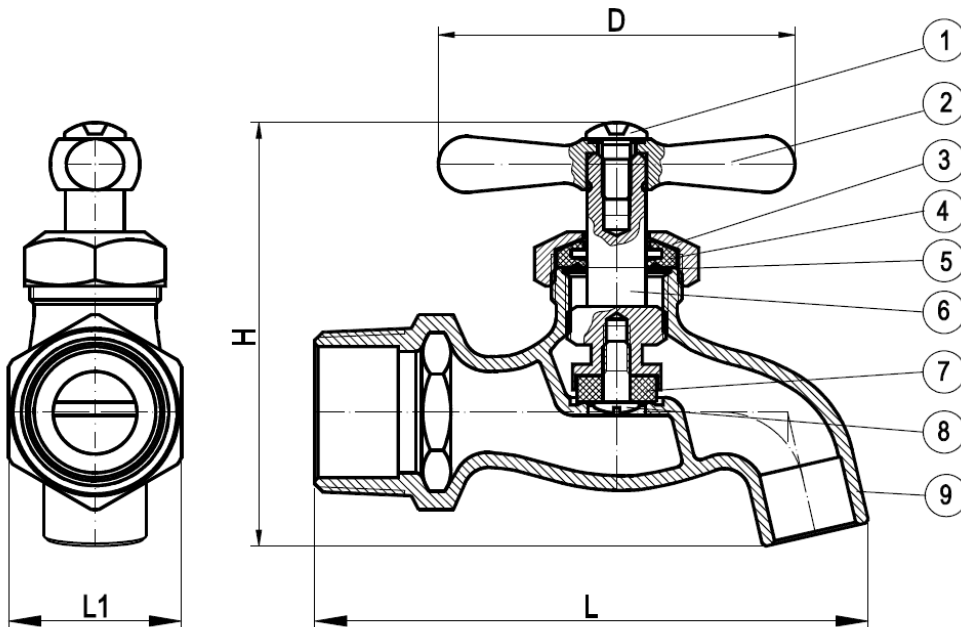
MATERIAL SPECIFICATIONS

No.	Part	Material
1	Bolt	JIS G3507
2	Handle	Zinc Zamak 3
3	Bonnet	Brass B 124 C37700
4	Packing	EPDM SE-719F
5	Washer	Stainless Steel 304
6	Stem	Brass C46500
7	Seat Packing	EPDM SE-719F
8	Seat Screw	JIS H3260
9	Body	Brass C46500



DIMENSIONS

Size	H	L	L1	D
3/4"	2.61	3.41	1.06	2.19



MATCO
NORCA